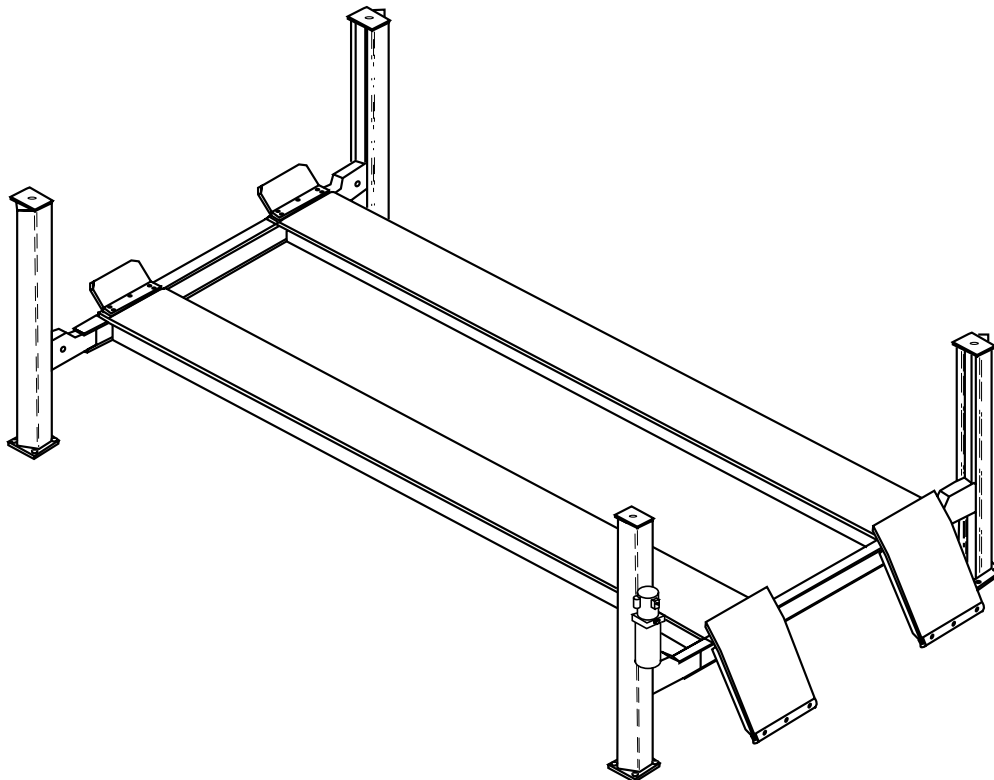




SM300/SM301/SM302/ RFL25

(200 Series)

Four Post Surface Mounted Lift
128" Minimum Wheel Base



P
A
R
T
S

B
R
E
A
K
D
O
W
N

IMPORTANT: When ordering parts or requesting service always give exact model and power unit serial number. Model number is shown on nameplate attached to air lock release valve. Power unit serial number is located on side of power unit.

OWNERS RECORD
Complete information
at right and keep in
a safe place.

Date Installed _____

Installed in Bay # _____

Power Unit Serial # _____

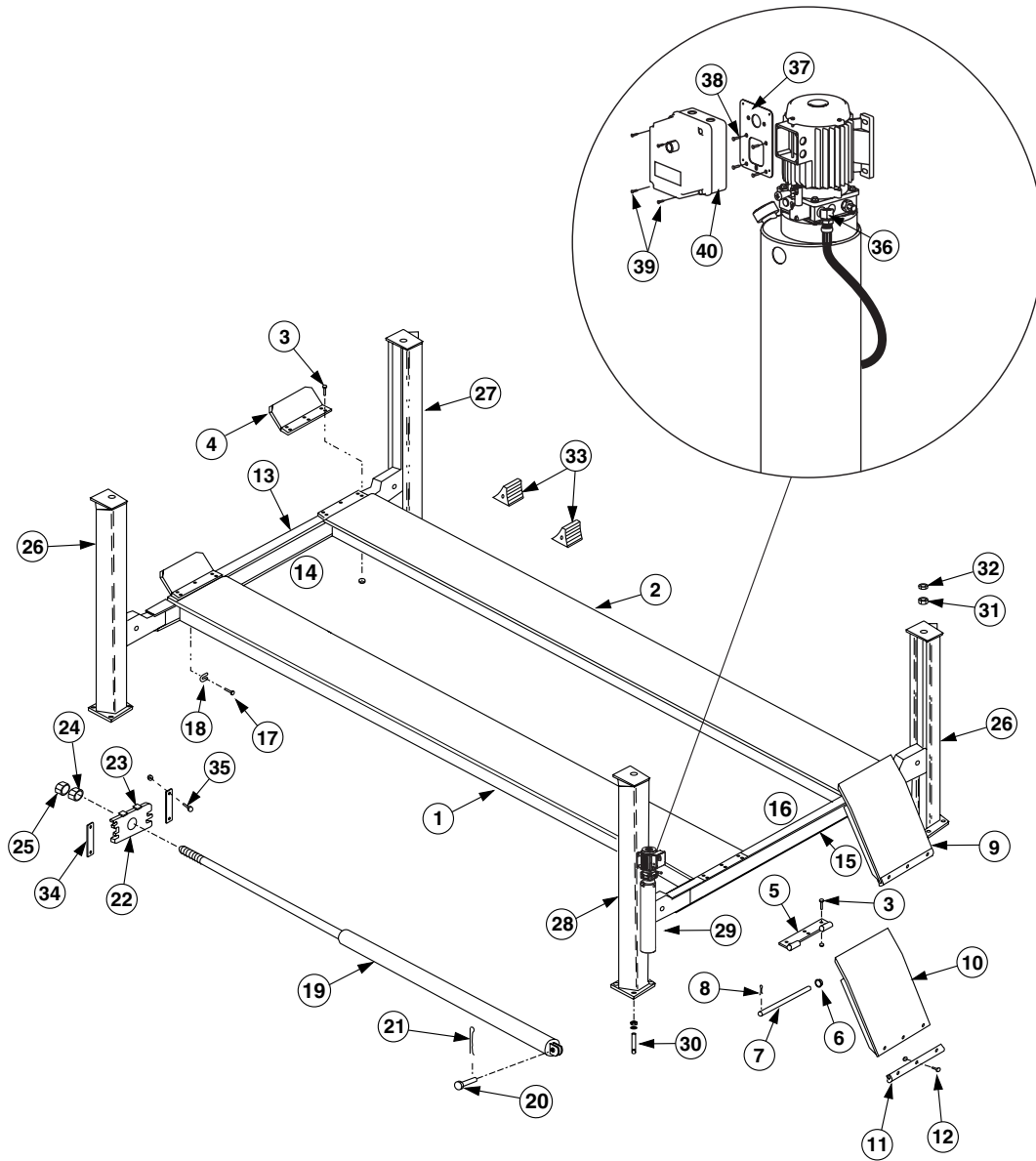
Power Unit Model # _____

Lift Serial # _____

Lift Model # _____

NOTE: For replacement parts -See your nearest Rotary Parts Distributor.

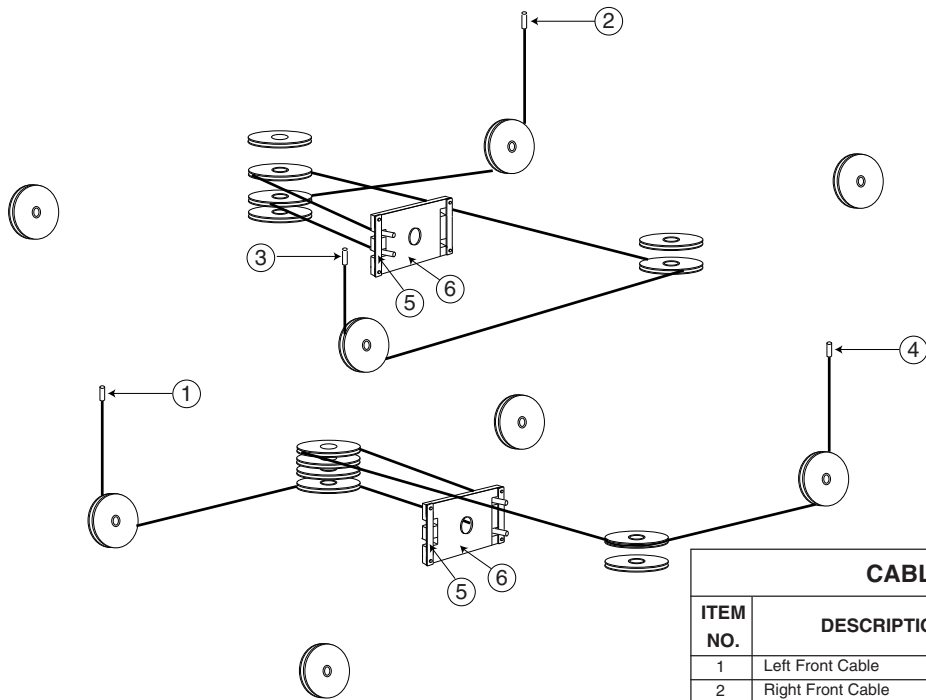
PB2-3-12-2
Rev. F 07-27-2005



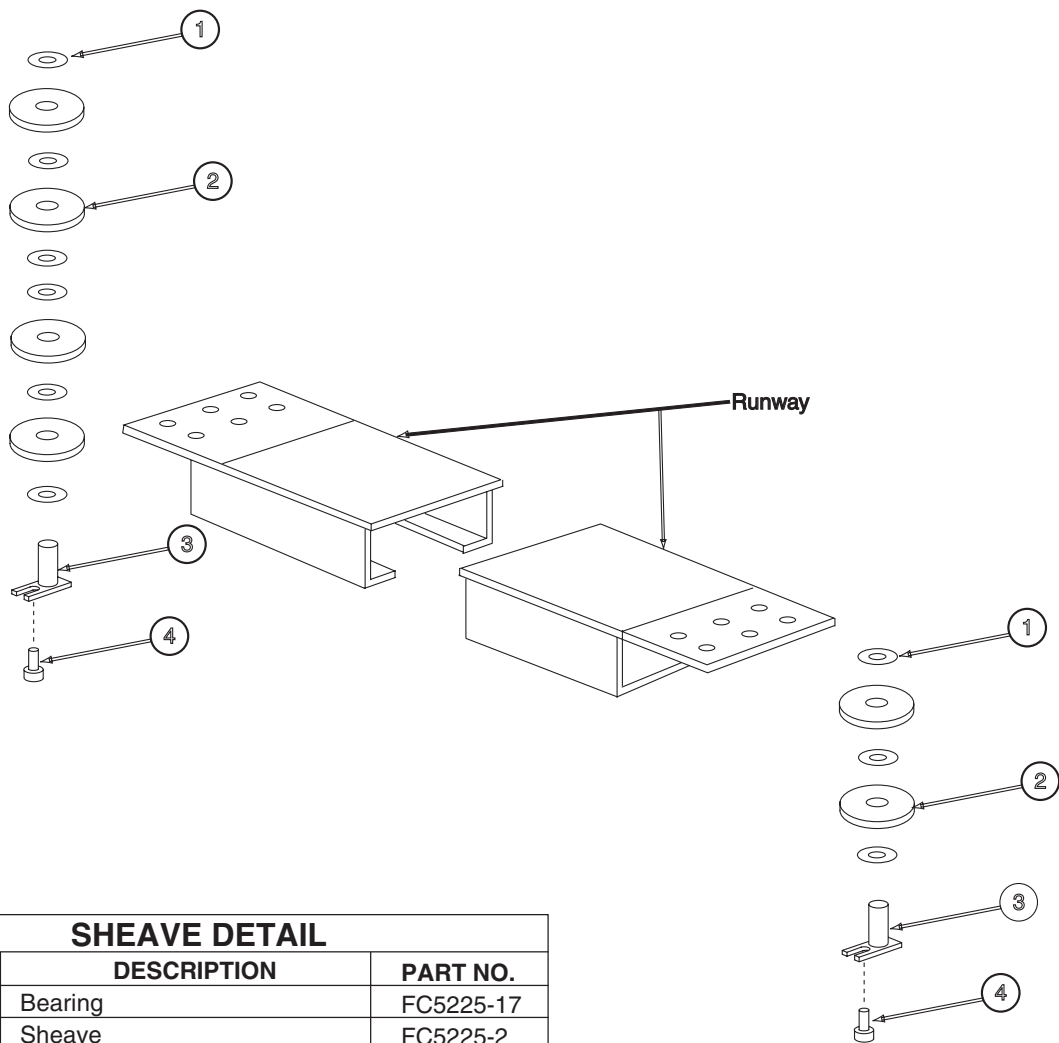
SM300, 301, 302,RFL COMPONENTS

ITEM NO.	DESCRIPTION	PART NO.				ITEM NO.	DESCRIPTION	PART NO.	
		SM300	SM301	SM302	RFL				
1	Left Hand Rnwy Assy. (Includes: cylinder; cables; sheaves)	FC5780	FC5779	FC5778	FC5781	21	3/16" x 3" Cotter Pin	41253	
2	Right Hand Runway Assembly	FC5780-2	FC5779-2	FC5778-2	FC5781-2	22	Cable Pull Bar	FC5225-18	
3	5/8" -11NC x 2 1/2" Hex Cap Screw (High Strength)		40344			23	Glide	FC5160-12	
	5/8" -11NC McClean-Fogg Nut		40360			24	1 3/4" - 5NC Heavy Hex Nut	40777	
4	Wheel Stop		FC5780-6			25	1 3/4" - 5NC Heavy Hex Jam Nut	40778	
5	Hinge Weld		FC5780-4			26	Right Hand Column	FC5455	
6	5/8" Pushnut Fastener		FC5179-4			27	Left Hand Column	FC5454	
7	Hinge Pin		FC5225-39			28	Power Unit Column	FC5456	
8	5/32" x 1" Cotter Pin		41202			29	1Ø Power Unit	P1028	
9	Ramp/Chock Assembly		FC5780-3	*FC5781-7			3Ø Power Unit	P1082	
10	Ramp/Chock Weldment		FC5225-36	*FC5254-14		30	Anchor Bolt	FC5393-3	
11	Plastic Slide		FC134-33			31	1 1/8"-7NC Hex Nut	40769	
12	#10-24NC x 3/4" Lg. PNHDMS		40030			32	1 1/8"-7NC Hex Jam Nut	40770	
	#10-24NC Hex Nut		40630			33	Rear Wheel Chock	FC337	
13	Front Yoke Weld		FC5776-1			34	Retainer Bar	FC5225-72	
14	Front Yoke Assembly (Includes latches)		FC5776			35	1/4"-20NC x 2 1/2" Lg. HHCS and Lock Nut	4 Req'd.	
15	Rear Yoke Weld		FC5777-1			36	Elbow	P1028-4	
16	Rear Yoke Assembly (Includes latches)		FC5777			37	Adapter Plate	FA132-2	
17	3/4"-10NC x 2" Lg. Flange Cap Screw (Grade 8 min.)		40443			38	5x.8x8mm FHMS	4 Req'd	
18	Plastic Shim		FJ716-6			39	#8-32 NC x1/2"LG	4 Req'd	
19	Hydraulic Cylinder		FC5761			40	Control Box	208V	FA7132
20	Clevis Pin		FC5225-23					230V	FA7133
								440-480V	FA7134

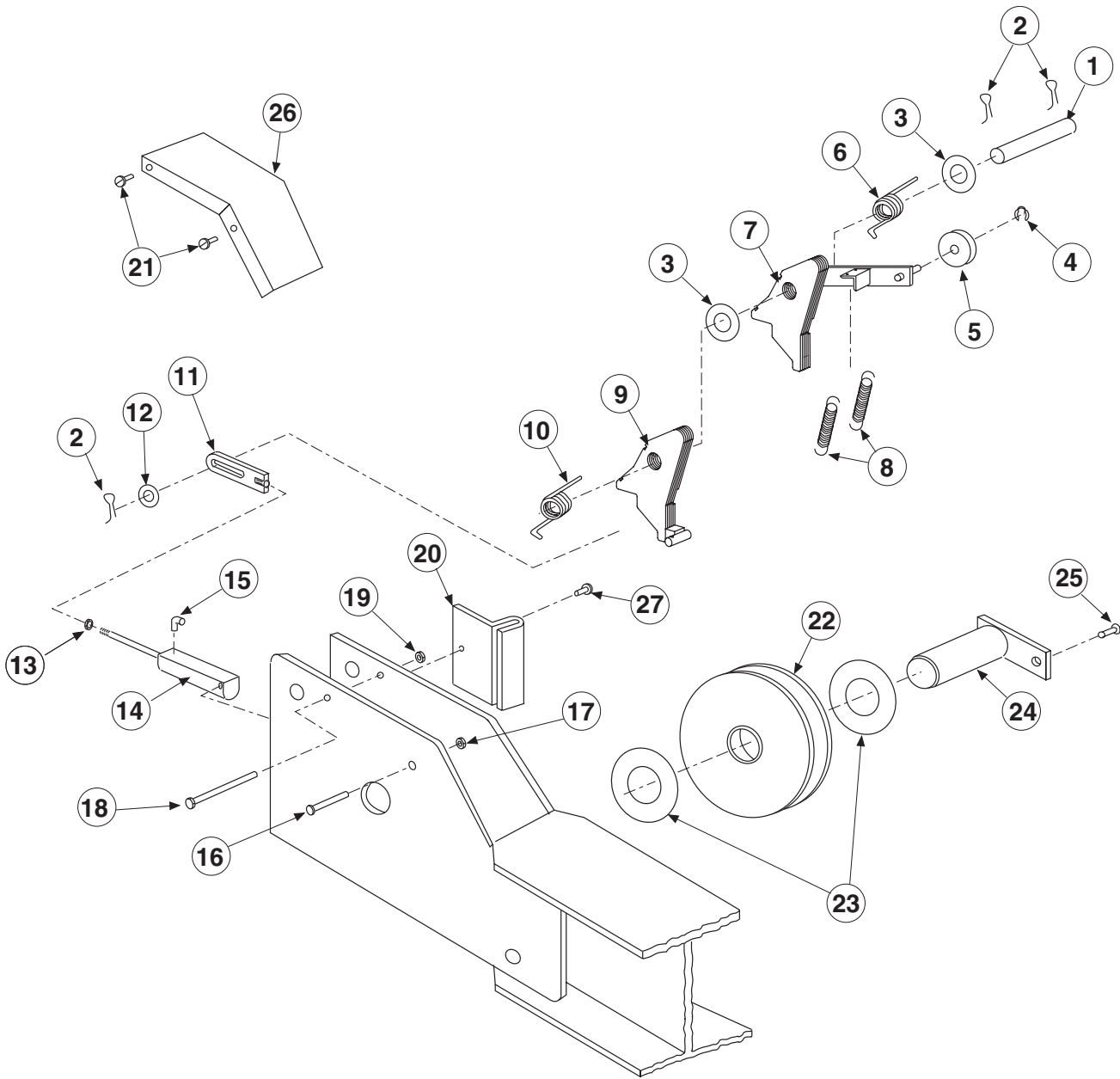
* INDICATES RFL PART



CABLE ROPING DETAIL					
ITEM NO.	DESCRIPTION	PART NO.			
		SM300	SM301	SM302	RFL
1	Left Front Cable	FC5225-4	FC5225-88	FC5225-94	FC5254-3
2	Right Front Cable	FC5225-5	FC5225-89	FC5225-93	FC5254-4
3	Left Rear Cable	FC5225-6	FC5225-92	FC5225-92	FC5254-5
4	Right Rear Cable	FC5225-7	FC5225-91	FC5225-91	FC5254-6
5	Pull Bar Hold	FC5225-72			
6	Cable Pull Bar	FC5225-18			



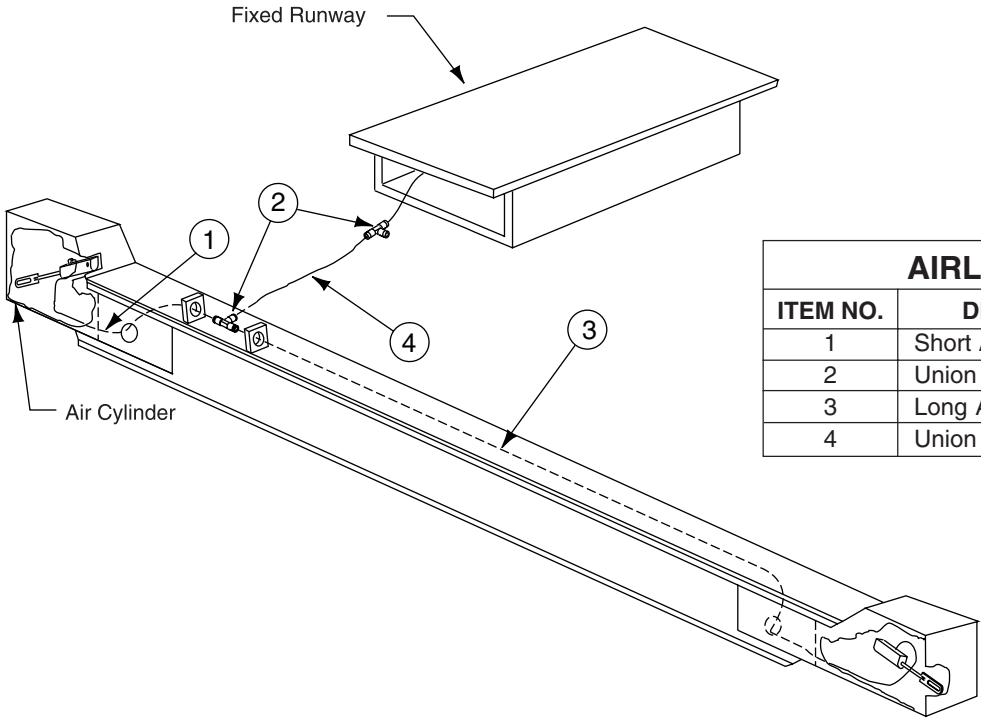
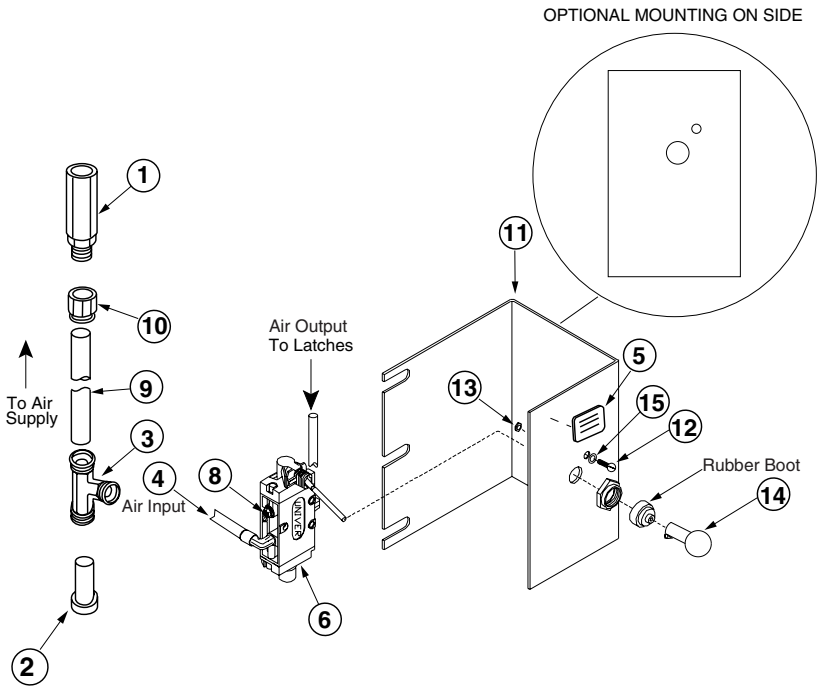
SHEAVE DETAIL		
ITEM NO.	DESCRIPTION	PART NO.
1	Bearing	FC5225-17
2	Sheave	FC5225-2
3	Sheave Pin Assembly	FC5225-3
4	5/16"-18NC x 1/2" HSBHCS	40225



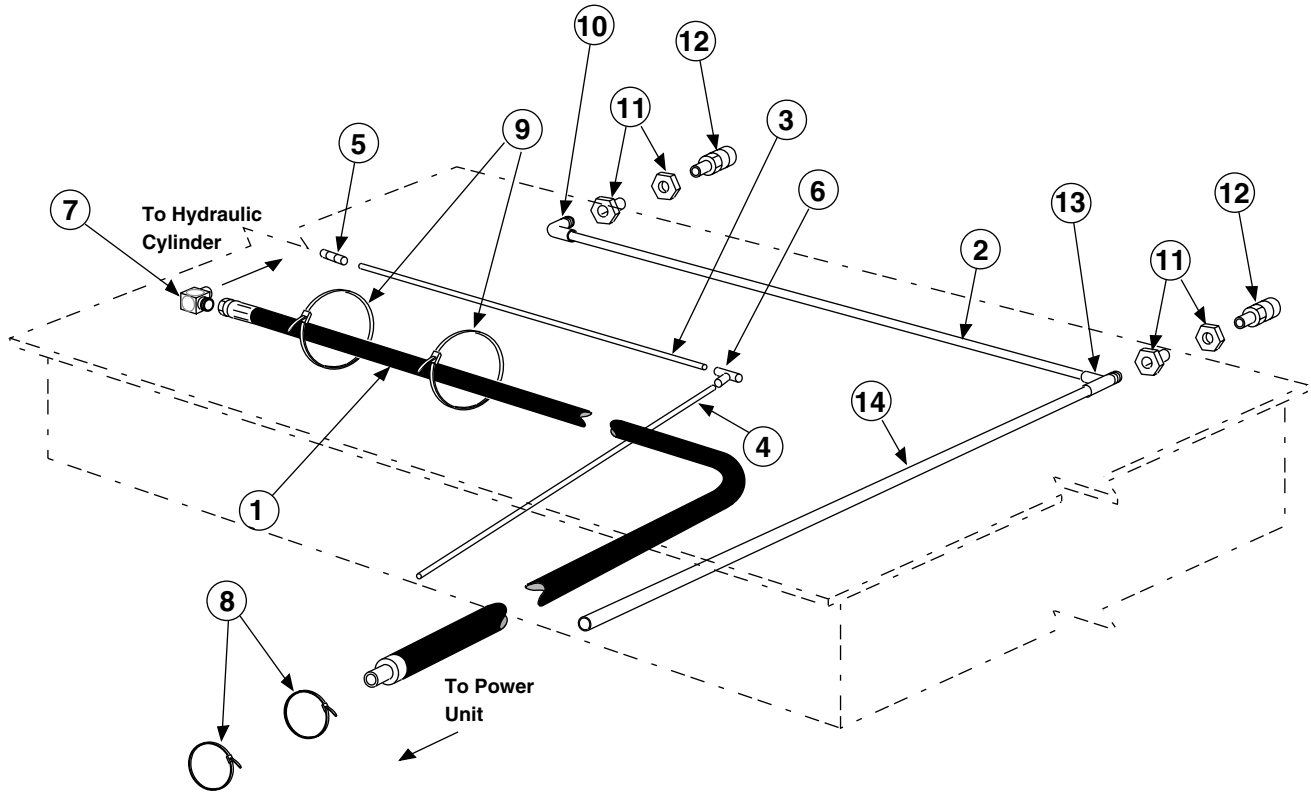
YOKE END DETAIL

ITEM	DESCRIPTION	PART NO.	ITEM	DESCRIPTION	PART NO.
1	Latch Shaft	FC5224-17	14	Air Cylinder	FC5706-6
2	1/8" x 1 1/4" Cotter Pin	41201	15	Elbow	FC5224-39
3	Bearing	FC5301-98	16	1/4" - 20NC x 1 1/2" Lg. bolt	2 req'd.
4	Klip Ring for 3/8" Shaft	41410	17	1/4" - 20NC Nylon Insert Lock Nut	2 req'd.
5	Slack Cable Roller	FC5224-65	18	1/4" - 20NC Hex CS x 4 1/2" Lg.	40116
6	Left Hand Torsion Spring	FC5224-62	19	1/4" - 20NC Hex Jam Nut	40640
7	Slack Cable Locking Latch	L.H. FC5224-71 R.H. FC5224-70	20	Plastic Slider	FC5301-97
8	Extension Spring	FC522-25	21	Pinetree Retainer	FC5185-69
9	Locking Latch	L.H. FC5763 R.H. FC5762	22	Sheave	FC5225-2
10	Right Hand Torsion Spring	FC5224-63	23	Bearing	FC548-5
11	Slotted Bracket	FC5224-35	24	Sheave Pin Assembly	FC5224-21
12	3/8" Cut Washer	40820	25	5/16"-18NC HSBHCS x 1/2" Lg.	40225
13	1/4" - 28NF Hex Jam Nut	40622	26	Yoke End Cover	FC5224-30
			27	1/4" - 20NC HHTS x 1/2" Lg.	40067
			28	Sheave Spacer	S130161

AIR LOCK RELEASE VALVE DETAIL		
ITEM NO.	DESCRIPTION	PART NO.
1	Valve	FA3134-12
2	3/8" Plug	FA2230-16
3	Union Tee	FA2242-1
4	1/4" Tubing (50' roll)	FA2230-2
5	Nameplate	NP280
6	Control Assembly	T140073
7	Elbow	FC5341-90
8	Filter/Muffler	T140075
9	3/8" Tubing (40 Ft. Roll)	FA2230-15
10	Female Connector	FA3134-13
11	Air Valve Bracket	S120457
12	#8-32NC x 1-1/2" Screw	40007
13	#8-32 Nut	40637
14	Handle	T140119
15	#8 Flat Washer	40788



AIRLINE DETAIL		
ITEM NO.	DESCRIPTION	PART NO.
1	Short Airline	FC5224-42
2	Union Tee	FC5225-46
3	Long Airline	FC5224-41
4	Union Tube	FC5225-54



TUBING DETAIL

ITEM	DESCRIPTION	PART NO.			ITEM	DESCRIPTION	PART NO.
		SM300	SM301	SM302			
1	Hose	FC5225-16	FC5426-4	FC5427-4	8	Wire Tie	FJ7108-5
2	Long Runway Tube	FC5386-2	FC5441-2	FC5442-2	9	Cable Tie	FC5225-26
3	Main Tube	FC5426-5			10	Male Elbow	FC147-7
4	1/4" Supply Tube	FC5225-56			11	Connector	FC147-1
5	Union	FC5225-98			12	Coupler	FC147-15
6	Union Tee	FC5225-46			13	Male Run Tee	FC147-3
7	Elbow Adapter	FJ7224			14	3/8" Supply Tube	FC147-4

Notes:

DATE REV. CHANGE MADE

07-27-05 F Item #3 (Bearing) part number FC5301-98 was calling out FC548-5.

Rotary World Headquarters

2700 Lanier Drive
Madison, IN 47250, USA
www.rotarylif.com

North America Contact Information

Tech. Support: p 800.445.5438
f 800.578.5438
e userlink@rotarylif.com
Sales: p 800.640.5438
f 800.578.5438
e userlink@rotarylif.com

World Wide Contact Information

World Headquarters/USA: 1.812.273.1622
Canada: 1.905.812.9920
European Headquarters/Germany: +49.771.9233.0
United Kingdom: +44.178.747.7711
Australasia: +60.3.7660.0285
Latin America / Caribbean: +54.3488.431.608
Middle East / Northern Africa: +49.771.9233.0

© Rotary®, Printed in U.S.A., All Rights Reserved. Unless otherwise indicated, ROTARY, DOVER and all other trademarks are property of Dover Corporation and its affiliates.



A  DOVER COMPANY

