



SP012 Standard/Hummer/Sprinter

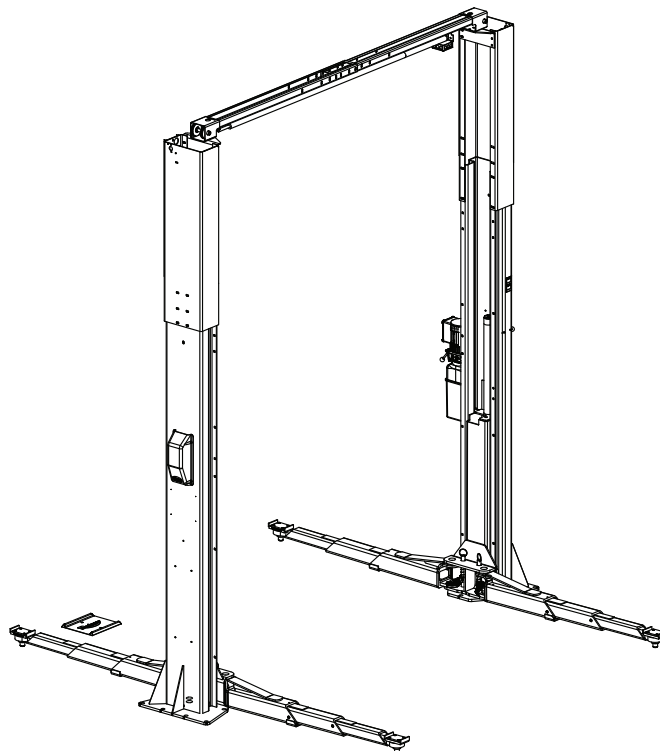
Two Post Surface Mounted Swing Arm Frame Engaging Lift

Includes Shockwave™ Models

Standard (700 Series) Capacity: 12,000 lbs.

Hummer (7W0 Series) Capacity: 12,000 lbs.

Sprinter (7A0 Series) Capacity: 9,000 lbs.



P
A
R
T
S

B
R
E
A
K
D
O
W
N

IMPORTANT: When ordering parts or requesting service always give exact model and power unit serial number. Model number is shown on nameplate attached to power unit column. Power unit serial number is located on side of power unit.

OWNERS RECORD
Complete information
at right and keep in
a safe place.

Date Installed _____

Installed in Bay # _____

Power Unit Serial # _____

Power Unit Model # _____

Lift Serial # _____

Lift Model # _____

NOTE: For replacement parts -See your nearest Rotary Parts Distributor.



LP20484

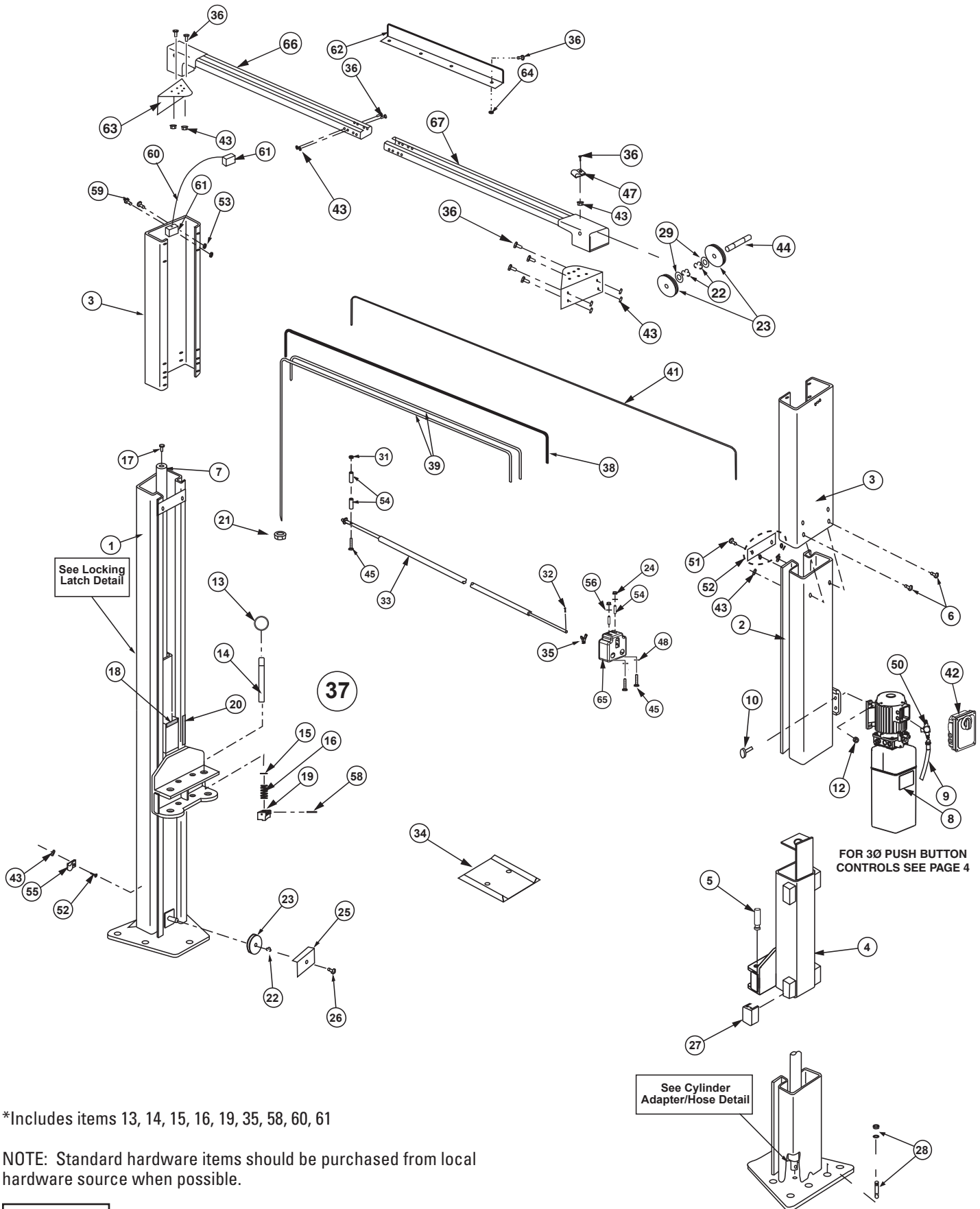
PB2-2-30-7

Rev. J 3/11/2015

1	L.H. Column Weldment	N754
2	R.H. Column Weldment	N757
3	Column Extension	
	Low Ceiling MODEL (700/7A0/7T0 Series)	N495
	Std Height MODEL (700/7A0/7T0 Series)	N477
	EH-1 MODEL (ALL 7XX Series)	N478
	EH-2 MODEL (ALL 7XX Series)	N479
	EH-3 MODEL (ALL 7XX Series)	N4116
4	Carriage Yoke Weldment	N826
5	Arm Pin	N2154
6	3/8"-16NC x 1" Carriage Bolt	N/A
7	Hydraulic Cylinder	
	68" Rise	N380
	71" Rise	N382
8	Power Unit	
	SINGLE PHASE	P3391
	SINGLE PHASE 50Hz.	P3575
	4 HP SINGLE PHASE	P3500
	THREE PHASE	P3395
	575 Volt	P3360
9	Power Unit Hose	FJ837
10	5/16"-18NC x 1-1/2" Flanged HHCS	40509
11	NA	NA
12	5/16"-18NC Hex Flanged Lock Nut	40678
13	Actuator Pin Handle	FJ7985-1
14	Actuator Pin	N121-1
15	Retaining Pin	N119-3
16	Arm Restraint Spring	FJ7656-2
17	Bleeder Screw (Specify Manufacturer)	2REQ'D
18	Carriage Bumper	FJ7391-2
19	Arm Restraint Panel	N2121
20	Approach Bumper (door-18" Lg-2 req'd)	FJ7391-1
21	5/8"-11NC Hex Nylon Insert Locknut	40743
22	Truarc #5304-75 Klipring for 3/4" Shaft	41411
23	Sheave	N417-1
24	1/4"-20NC Zinc Hex Nut	40627
25	Sheave Cover	N119-1
26	1/4"-20NC x 3/8" Lg. PHMS Plated (2 pcs.)	40063
27	Slider block	FJ7360
28	3/4" Concrete Anchor (14 req'd)	FJ7380
29	1-1/2" O.D. x .760-.770" I.D. x .045" Bushing	41388
30	N/A	N/A
31	1/4"-20NC Insert Locknut	41423
32	1/8" x 1" Lg. Cotter Pin (3Ø Only)	41200
33a	Switch Bar Assembly 1Ø / 3Ø w/ Push Button	N467
	Switch Bar Assembly 3Ø	N434
33b	Switch Bar Assy (7W0 Series) 1Ø / 3Ø w/ Push Button	N464
	Switch Bar Assembly (7W0 Series) 3Ø	N466
34	Spotting Wheel Dish Kit	FF729
35	Actuator Assembly (3Ø Only)	N432-5
36	3/8"-16 NC x 3/4" Long Flanged HHCS	40124
37*	Arm Restraint Kit (1 arm)	*N2148

38	Overhead Hose	
	Low Ceiling MODEL (700/7A0/7T0 Series)	FJ839
	Standard Height MODEL (700/7A0/7T0 Series)	FJ843
	EH-1 MODEL (ALL 7XX Series)	FJ844
	EH-2 MODEL (ALL 7XX Series)	FJ845
	EH-3 MODEL (ALL 7XX Series)	N3159
39	Equalizer Cables	
	Low Ceiling MODEL (700/7A0/7T0 Series)	N390
	Standard Height (700/7A0/7T0 Series)	N387
	EH-1 MODEL (ALL 7XX Series)	N388
	EH-2 MODEL (ALL 7XX Series)	N389
40	EH-3 MODEL (ALL 7XX Series)	N3158
	N/A	N/A
41	Locking Latch Cable	
	Standard	FJ7600
	EH-3 MODEL (ALL 7XX Series)	N629
42	Capacitor Box	FA7147-1
	Capacitor Box Cover Plate	FA7366-1
	Drum Switch	FA7364
	Drum Switch Lever	FA7364-1
	M5 x 45 PHMS, Plated	41672
43	3/8"-16NC Flanged Locknut	40664
44	Sheave Shaft	FJ7444-8
45	1/4"-20NC x 2-3/4" HHCS Grade 5	40114
46	Latch Cable Guide	N69
47	Hose Clip	N383
48	1/4" Flat Washer	40795
49	5/16"-18NC x 3/8" PHMS (6 req'd-Column)	40227
50	Branch Tee	FJ7668
51	3/8"-16NC x 2-1/2" Lg. Carriage Bolt	40183
52	Tie Bar Kit	N1243
	Tie Bar	N1243-1
	Spacer	N1162-2
53	1/4"-20NC Flanged Locknut	40641
54	3/4" Spacer	FJ7871
55	3/8"-16NC x 3/4" Lg. Carriage Bolt	40696
56	1/4" External Tooth Lockwasher	40779
57	3/8" External Tooth Lockwasher	40845
58	Spring Pin-1/4" dia. x 1-1/2" Lg. (Stainless)	14427
59	1/4"-20NC x 1" HHCS Grade 5	40108
60	Cable Guide	N618
61	Cable End Bracket	N619
62	Stiffener Angle (700/7A0/7T0 Series)	N417-3
	Stiffener Angle (7W0 Series)	N463
63	Column Mounting Bracket	N440
64	3/8"-16NC Flanged Locknut	40664
65	Limit Switch Assembly 1Ø / 3Ø w/ Push Button	N413
	Limit Switch Assembly 3Ø	N432
66	L.H. Overhead Weldment (Outer)	
	(700/7A0/7T0 Series)	N480-1
	(7W0 Series)	N493-1
67	R.H. Overhead Weldment (Inner)	
	(700/7A0/7T0 Series)	N481-1
	(7W0 Series)	N494-1

SP012 700 Series

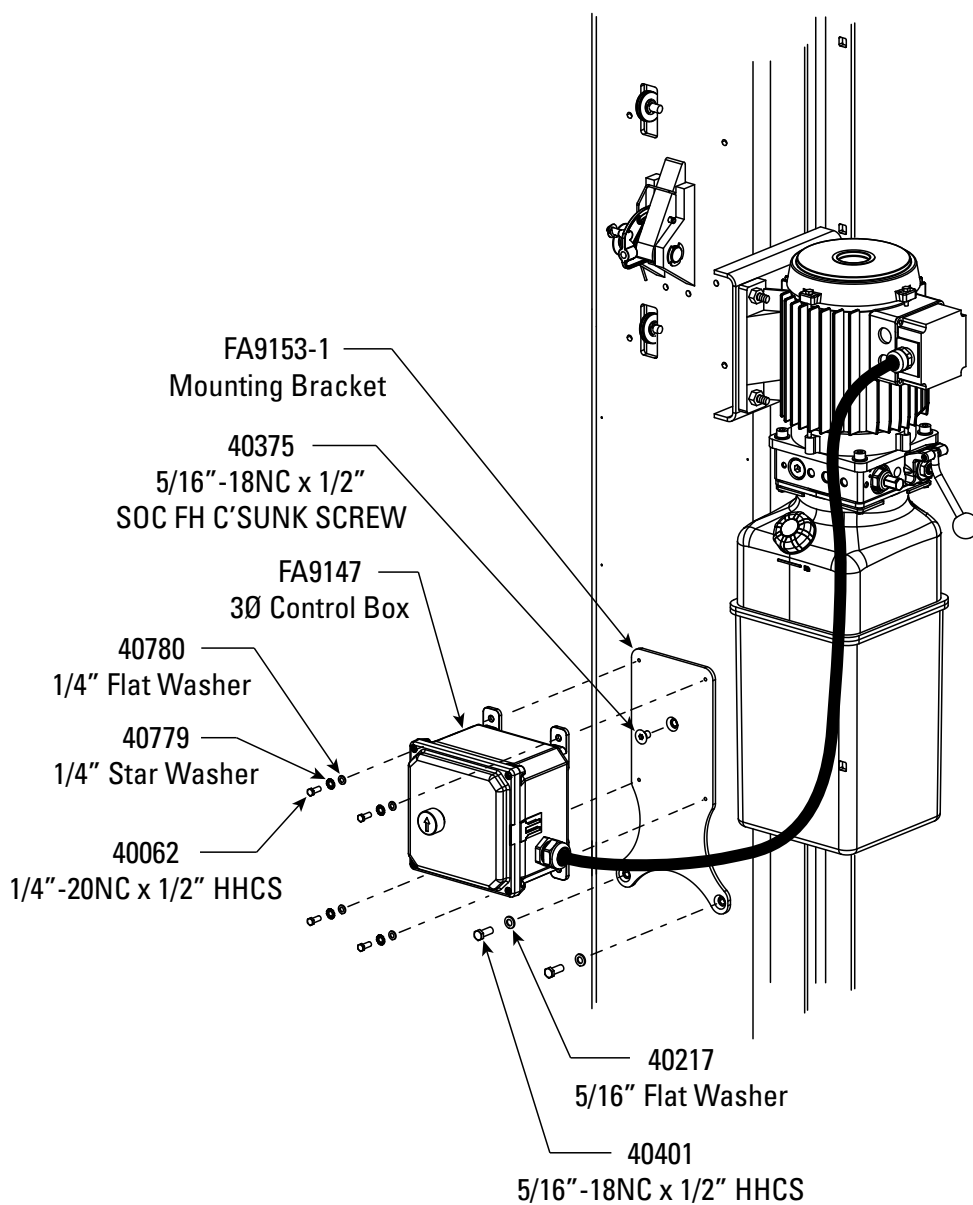


*Includes items 13, 14, 15, 16, 19, 35, 58, 60, 61

NOTE: Standard hardware items should be purchased from local hardware source when possible.

CAUTION Care should be taken to use hardware equal to that specified in this listing. (If grade is not specified, use Grade 2 minimum.)

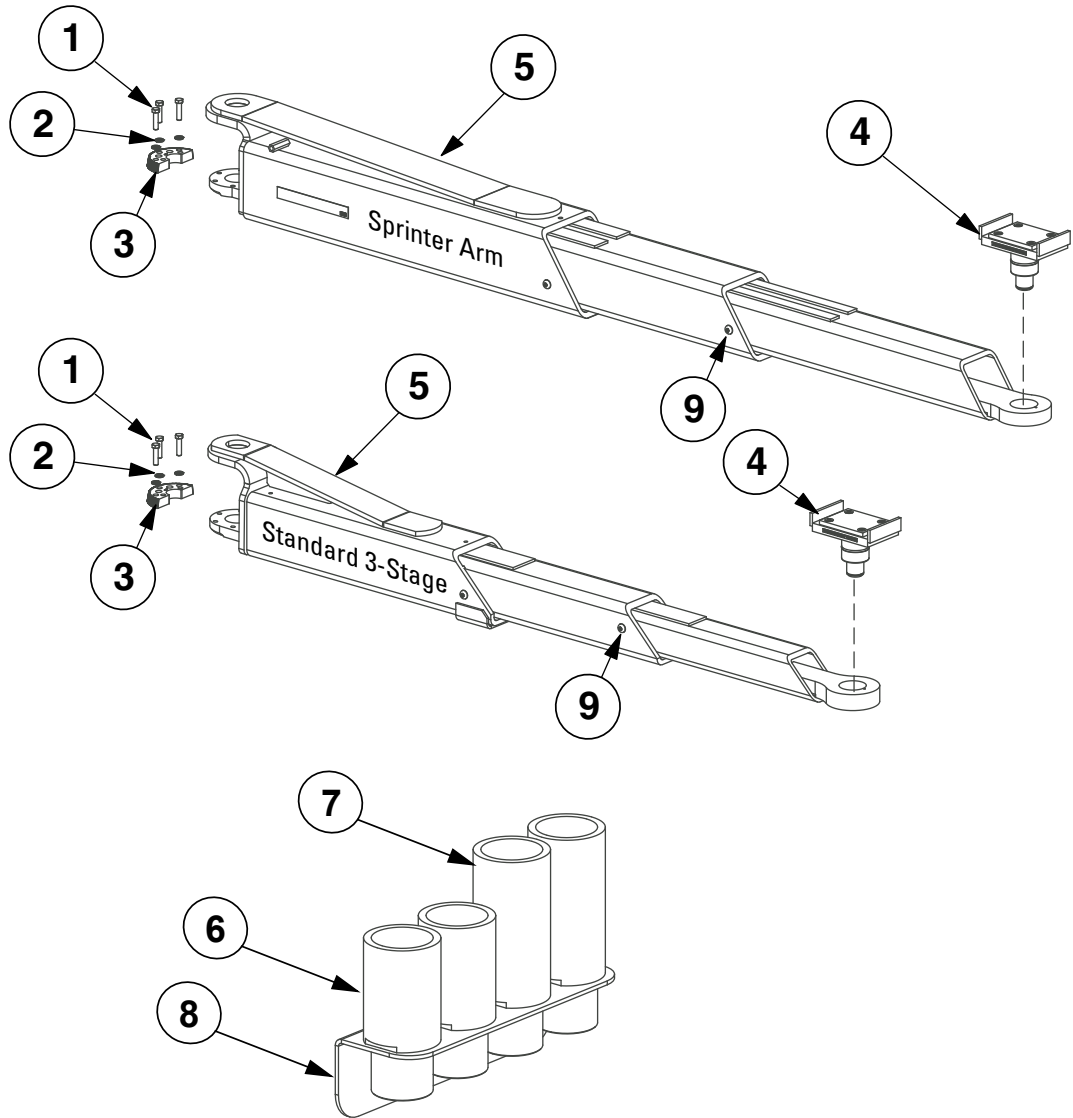
3Ø POWER UNIT



FA9147 Includes Items:	
FA9147-1	3Ø Control Box Enclosure with Gasket
FA9147-2	25 AMP Contactor, 3 Pole with 480 Volt Coil GE CR553AB3CAA
FA9147-6	Contactor Coil DB1AB 208-240 Volt for Contactor GE CR553A
FA9147-8	Switch Momentary Push Button with Contact Block
FA9147-9	Cord 600 Volt 4-Wire 42" Long with Ring Terminals

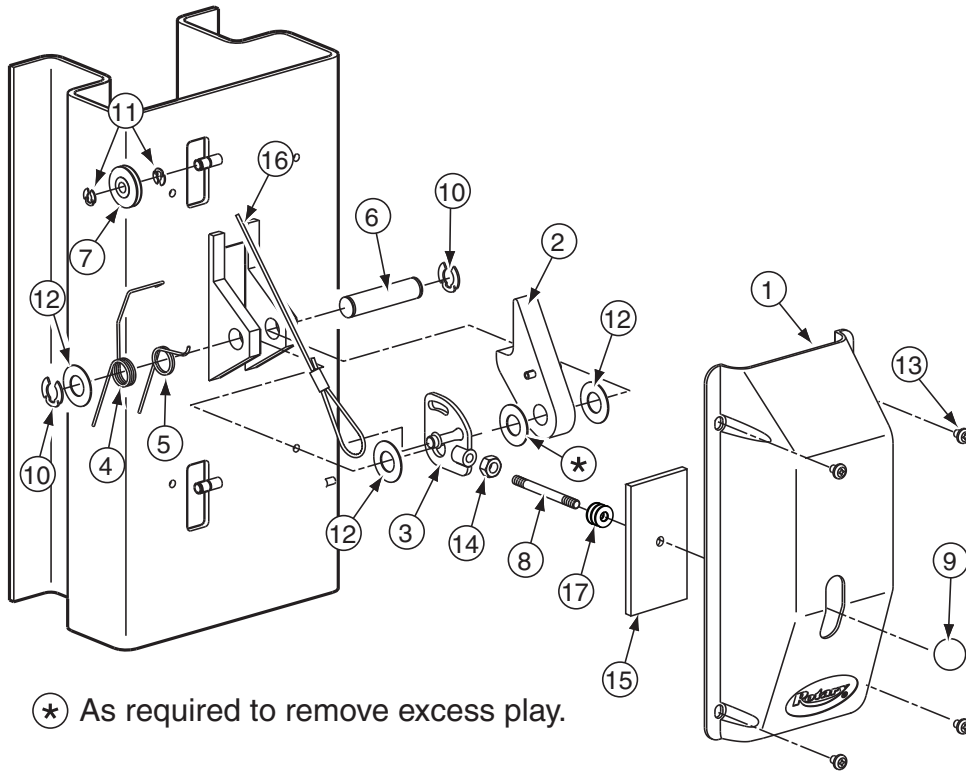
FA9147-12	550-600 Volt Coil GE Pin PB1AD for 575 Volt Lifts Only
-----------	--

Sprinter 7A0 Series/Hummer 7W0 Series/3 Stage 7T0 Series



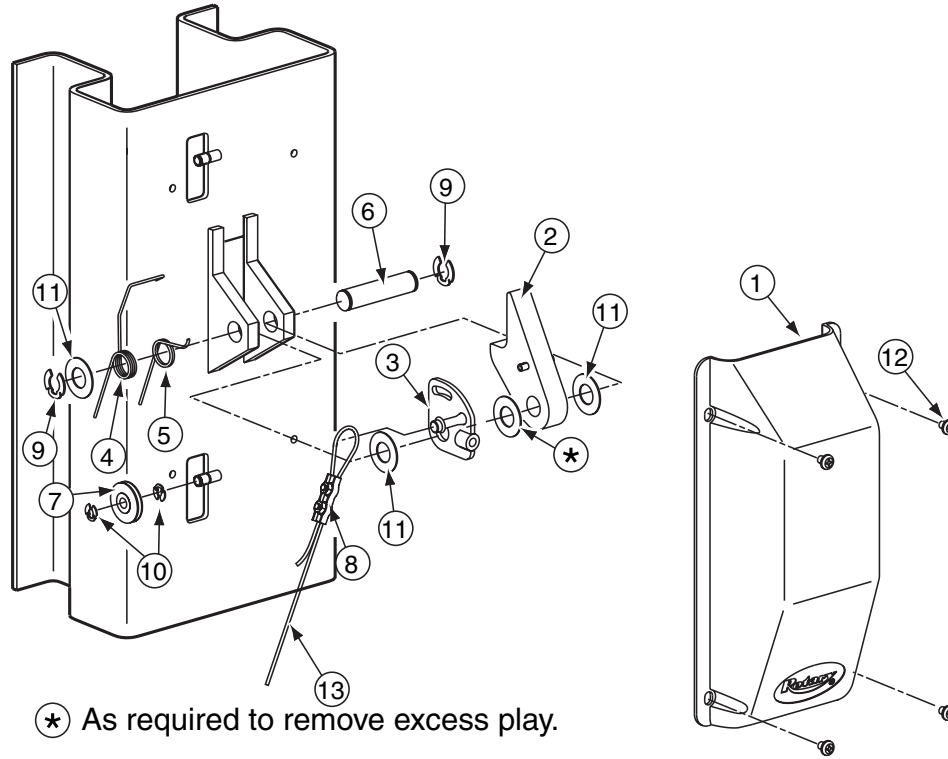
- | | | |
|----|---|----------|
| 1. | 3/8"-16NC x 1-1/2" HHCS Grade 5..... | 40200 |
| 2. | 3/8" Spring Washers | 40818 |
| 3. | Restraint Gear | N2122 |
| 4. | Adapter..... | FJ6214 |
| 5. | Arm | |
| | 7A0 Series (Sprinter Arm)..... | N2272 |
| | 7T0 Series (Standard 3-Stage Arm) | N2273 |
| | 7W0 Series (Standard 3-Stage Arm) | N2273 |
| 6. | 3-1/2" (90mm) Adapter Extension | FJ6171-1 |
| 7. | 5-1/4" (130mm) Adapter Extension | FJ6171-2 |
| 8. | Adapter Rack..... | FJ6127 |
| 9. | Stop Bolt..... | N2264-15 |

Locking Latch Detail (Right Column)



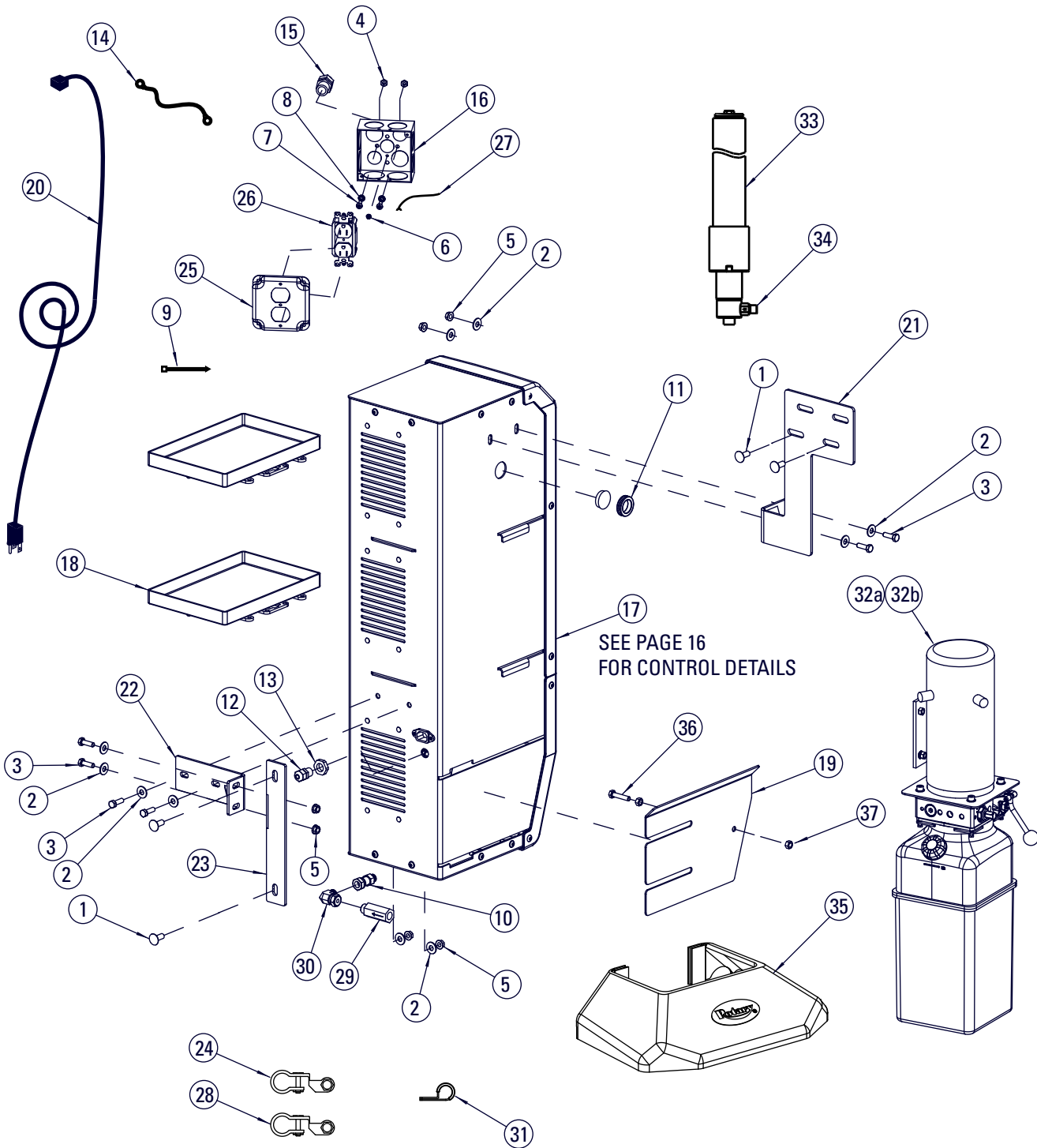
ITEM	DESCRIPTION	PART#
1.	Control Side Cover	FJ7452
2.	Locking Latch Dog	N615
3.	Control Plate	FJ7594-2
4.	Spring.....	FJ7566-10
5.	Spring.....	FJ7382-9
6.	Latch Shaft.....	FJ7382-34
7.	Locking Latch Sheave	FJ7322
8.	Handle.....	FJ7382-18
9.	Ball Handle.....	FC134-91
10.	Truarc Klipring #5304-75 for 3/4" Shaft.....	41411
11.	Truarc Klipring #5304-37 for 3/8" Shaft.....	41410
12.	1-1/2" O.D. x 3/4" I.D. x .045" Mach. Bush.....	41388
13.	5/16" - 18NC x 3/8" Lg. PHMS.....	40227
14.	3/8" - 16NC Hex Jam Nut.....	40658
15.	Slot Cover	N617
16.	Locking Latch Cable	FJ7600
17.	3/8" Flat Washer	40820

Locking Latch Detail (Left Column)



ITEM	DESCRIPTION	PART#
1.	Latch Cover	FJ7451
2.	Locking Latch Dog	N615
3.	Control Plate	FJ7594-2
4.	Spring.....	FJ7566-10
5.	Spring.....	FJ7382-9
6.	Latch Shaft.....	FJ7382-34
7.	Locking Latch Sheave	FJ7322
8.	Latch Cable Clamp	N63-1
9.	Truarc Klipring #5304-75 for 3/4" Shaft.....	41411
10.	Truarc Klipring #5304-37 for 3/8" Shaft.....	41410
11.	1-1/2" O.D. x 3/4" I.D. x .045" Mach. Bush.....	41388
12.	5/16"-18NC x 3/8" Lg. PHMS.....	40227
13.	Locking Latch Cable	FJ7600

Shockwave Detail

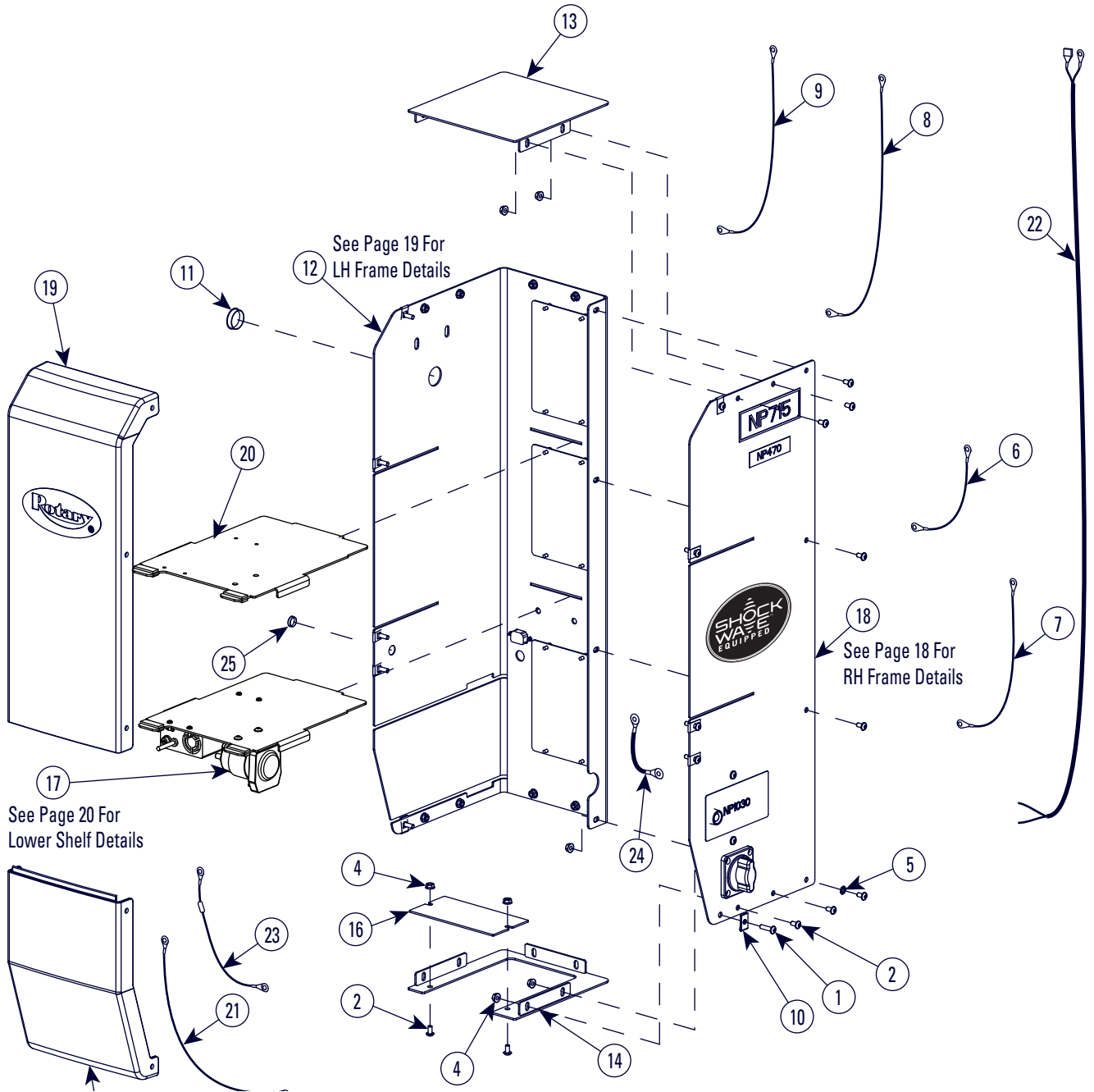


DC CONTROL MOUNTING

Shockwave Detail

ITEM	PART NO.	DESCRIPTION
1	40167	3/8"-16NC x 1" Lg. CAR. BOLT, Gr. 5, PLTD.
2	40217	5/16" USS FLAT WASHER, PLTD
3	40221	5/16"-18NC x 1" Lg HHCS, GRD5 PLTD
4	40650	#12-24NC HEX NUT, PLTD
5	40678	5/16"-18NC HEX FLGD WZLOCK NUT, PLTD
6	FA997-1	#10-32 x 1/4" Lg. HEX WHSFTS, PLTD, COLORED GREEN
7	41526	#12-24NC x 3/4" Lg. PHIL. PHMS, PLTD
8	41527	#12 EXT TOOTH LW, PLTD
9	629888	TY-RAP CABLE TIE, NYLON, BLACK, 11 1
10	EFX60010319	ADAPTER, STRAIGHT THREAD/ SWIVEL (ORB/ORFS 6X6)
11	FA7180-31	WIRE GROMMET
12	FA7189-14	3/8" NPT STRAIN RELIEF
13	FA7189-15	3/8" NPT LOCKNUT
14	FA7616	BATTERY-BATTERY CABLE
15	FA7958-28	CORD GRIP
16	FA997	JUNCTION BOX
17	FA966	DC CONTROL ASSEMBLY
18	FA966-16	BATTERY TRAY
19	FA966-47	BATTERY CABINET 2-POST SPLASH SHIELD
20	FA966-51	10FT UNIVERSAL POWER CORD (NEMA 5-15P TO IEC320C13)
21	FA966-55	BATTERY CABINET UPPER MOUNTING BRKT WELD
22	FA966-56	BATTERY CABINET MOUNTING BRKT WELD
23	FA966-57	BATTERY CABINET MOUNTING COLUMN BRKT WELD
24	FA979	POSITIVE BATTERY TERMINAL END
25	FA980-1	DUPLEX RECEPTACLE COVER 4" SQUARE BOX
26	FA980-2	DUPLEX FEMALE RECEPTACLE
27	FA980-3	GROUND WIRE
28	FA981	NEGATIVE BATTERY TERMINAL END
29	FJ71003	FLOW REGULATOR
30	FJ71007	MALE ORFS x FEMALE ORFS SWIVEL ELBOW
31	FJ7669	COLUMN HOSE CLAMP
32a	P3577	DC POWER UNIT - PAD LIFT
32b	P3579	DC POWER UNIT - ARM LIFT
32c	P3586	DC POWER UNIT - SPO12
33	N3151Y	HYDRAULIC CYLINDER
34	FJ7352-3	ADAPTER
35	N539	BASE PLATE COVER (FOR SPOA10 & SPO10 MODELS ONLY)
36	40271	5/16"-18NC x 1-1/2" HHCS FULL THREAD
37	40670	5/16"-18NC HEX NUT

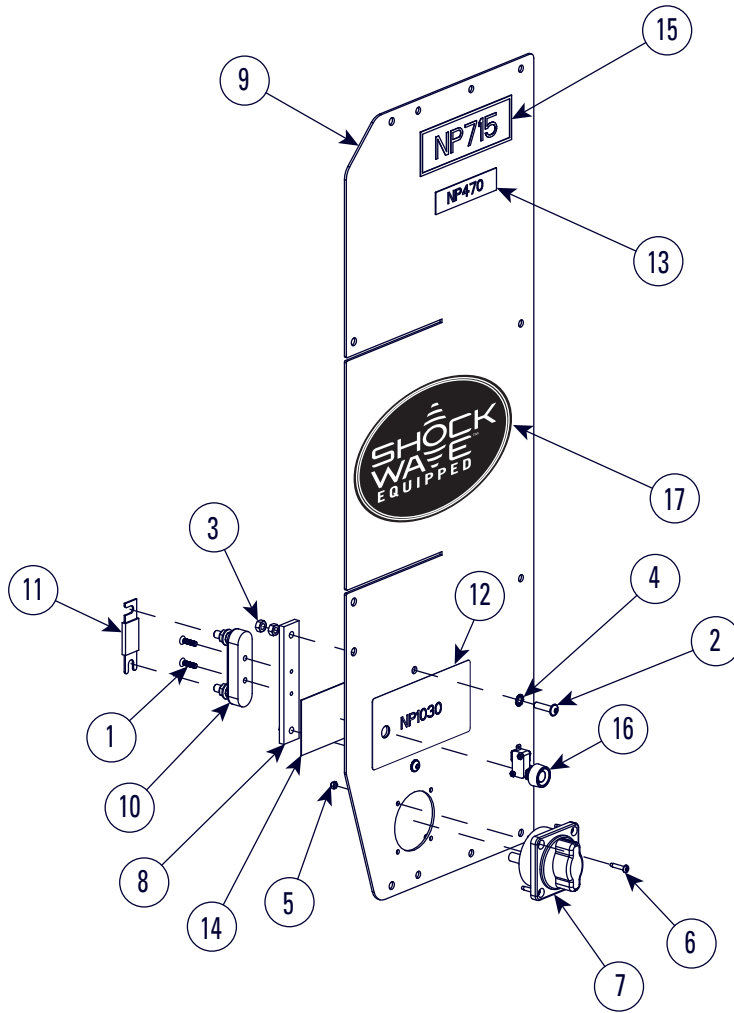
Shockwave Detail



Shockwave Detail

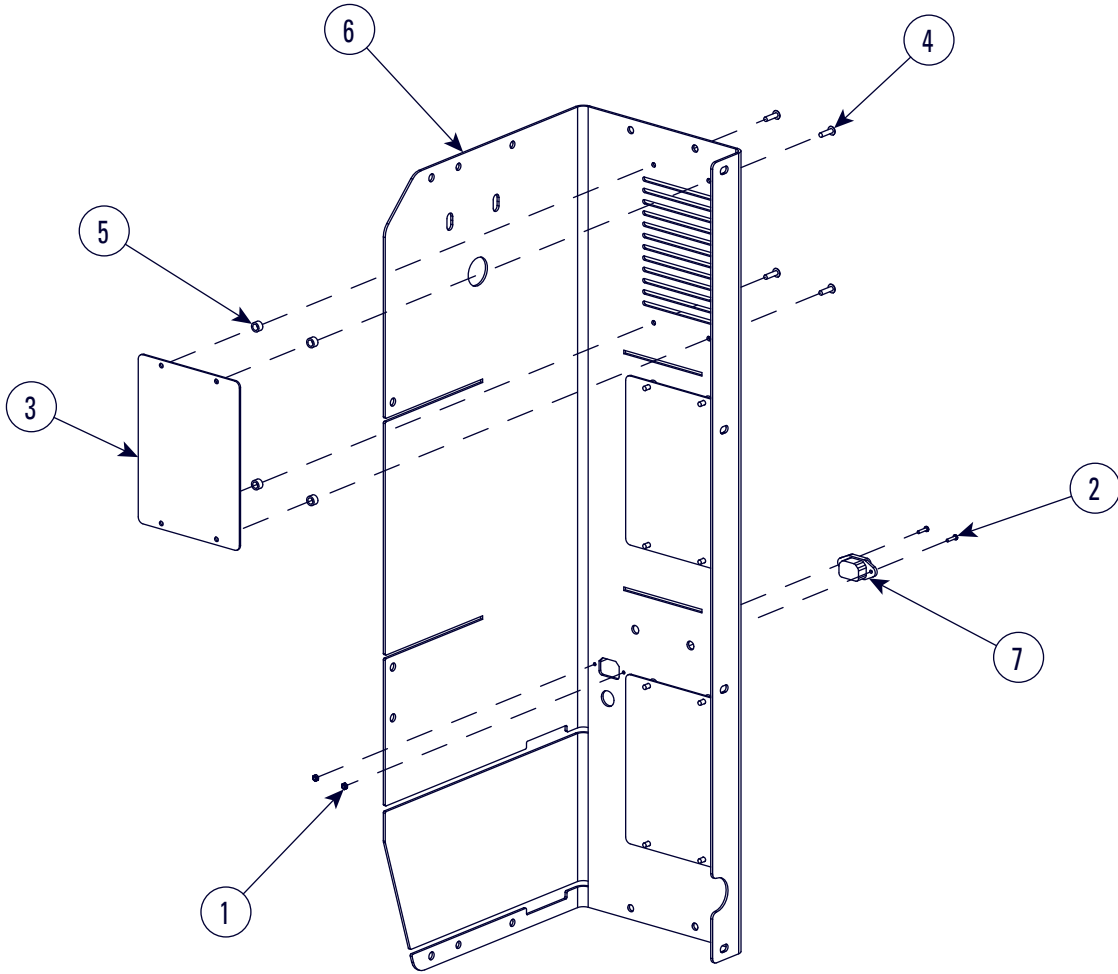
DC CONTROL		
ITEM	PART NO.	DESCRIPTION
1	40077	1/4"-20NC x 1" Lg FLGD HEX SOC BHCS, GRD2
2	40094	1/4"-20NC x 1/2" Lg FLGD HEX SOC BHCS
3	NA	NA
4	40641	1/4"-20NC HEX FLGD WZLOCK NUT, PLTD
5	40779	1/4" EXT TOOTH LW
6	FA7618	DISCONNECT-FUSE CABLE
7	FA7619	FUSE-CONTACTOR CABLE
8	FA7667	BATTERY-DISCONNECT CABLE
9	FA7668	BATTERY-MOTOR CABLE
10	FA966-22	CLIP-ON NUT
11	FA966-34	1-1/4" HOLE PLUG
12	FA966-37	BATTERY CABINET LH FRAME ASSY
13	FA966-39	BATTERY CABINET TOP COVER WELDMENT
14	FA966-42	BATTERY CABINET BOTTOM COVER WELDMENT
15	FA966-45	BATTERY CABINET FRONT BOTTOM COVER
16	FA966-46	BATTERY CABINET SMALL BOTTOM COVER
17	FA966-48	BATTERY CABINET LOWER SHELF ASSEMBLY
18	FA986-1	BATTERY CABINET RH FRAME ASSEMBLY
19	FA966-50	BATTERY CABINET FRONT TOP COVER ASSY
20	FA966-58	BATTERY CABINET SHELF WELD
21	FA970	CONTACTOR HARNESS
22	FA971	OVERHEAD HARNESS
23	FA978	DISCONNECT HARNESS
24	FA982	GROUND WIRE
25	FA966-60	TRANSPARENT HOLE PLUG

Shockwave Detail



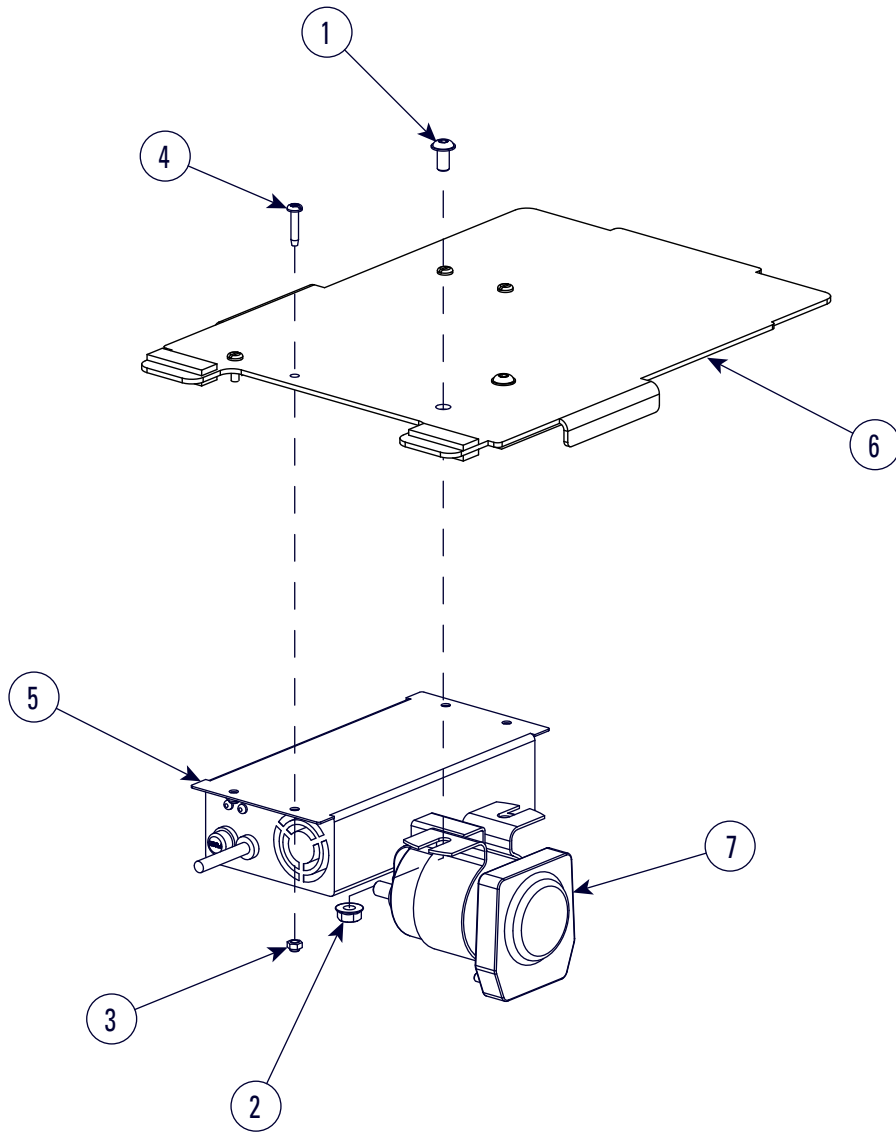
RIGHT HAND FRAME ASSEMBLY		
ITEM	PART NO.	DESCRIPTION
1	40004	#10-24 x 5/8 PFHMS, McMASTER-CARR # 90471A315 or EQUAL
2	40077	1/4"-20NC x 1" Lg FLGD HEX SOC BHCS, GRD2
3	40627	1/4"-20NC HEX NUT, PLTD
4	40779	1/4" EXT TOOTH LW
5	450957	#8-32NC NYLON LOCKNUTS
6	40022	#8-32NC X 1/2" Lg PHMS
7	FA7958-4	DC DISCONNECT SWITCH
8	FA966-8	FUSE HOLDER MOUNTING BRACKET
9	FA986-10	BATTERY CABINET RH FRAME
10	FA975	FUSE HOLDER
11	FA975-1	350 AMP FUSE
12	NP1030	PUSHBUTTON NAMEPLATE
13	NP470	MOTOR LOCATION WARNING LABEL
14	NP692	NAMEPLATE
	NP1066	NAMEPLATE
15	NP715	NAMEPLATE
16	P1483	LIMIT SWITCH ASSEMBLY
17	NP1067	SHOCKWAVE DECAL

Shockwave Detail



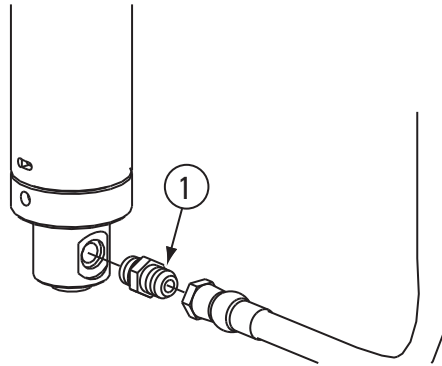
LEFT HAND FRAME ASSEMBLY		
ITEM	PART NO.	DESCRIPTION
1	41628	#4-40 NYLON INSERT LOCKNUT MMC #90633A005
2	796443	#4-40 x 1/2 Lg. PHMS, PLTD
3	FA966-17	SPLASH SHIELD
4	FA966-18	DOMED HEAD RIVET
5	FA966-21	SPACER
6	FA966-52	BATTERY CABINET LH FRAME FORMING
7	FA983	CHARGER INTERNAL POWER CORD

Shockwave Detail



LOWER SHELF ASSEMBLY		
ITEM	PART NO.	DESCRIPTION
1	40094	1/4"-20NC x 1/2" Lg FLGD HEX SOC BHCS
2	40641	1/4"-20NC HEX FLGD WZLOCK NUT, PLTD
3	450957	#8-32NC NYLON LOCK NUT
4	40022	#8-32NC x 1/2" LG. PHMS
5	FA7958-48	24V 5A CHARGER
6	FA966-58	BATTERY CABINET SHELF WELD
7	FA976	DC CONTACTOR

Cylinder Hose Adapter Detail



ITEM	DESCRIPTION	PART#
1.	Straight Adapter.....	FJ7352-3

Rotary World Headquarters

2700 Lanier Drive
Madison, IN 47250, USA
www.rotarylif.com

North America Contact Information

Tech. Support:
p 800.445.5438
f 800.578.5438
e userlink@rotarylif.com
Sales: p 800.640.5438
f 800.578.5438
e userlink@rotarylif.com

World Wide Contact Information

World Headquarters/USA: 1.812.273.1622
Canada: 1.905.812.9920
European Headquarters/Germany: +49.771.9233.0
United Kingdom: +44.178.747.7711
Australasia: +60.3.7660.0285
Latin America / Caribbean: +54.3488.431.608
Middle East / Northern Africa: +49.771.9233.0

© Vehicle Service GroupSM

Printed in U.S.A., All Rights Reserved. Unless otherwise indicated, ROTARY, and all other trademarks are property of Dover Corporation and its affiliates.

