



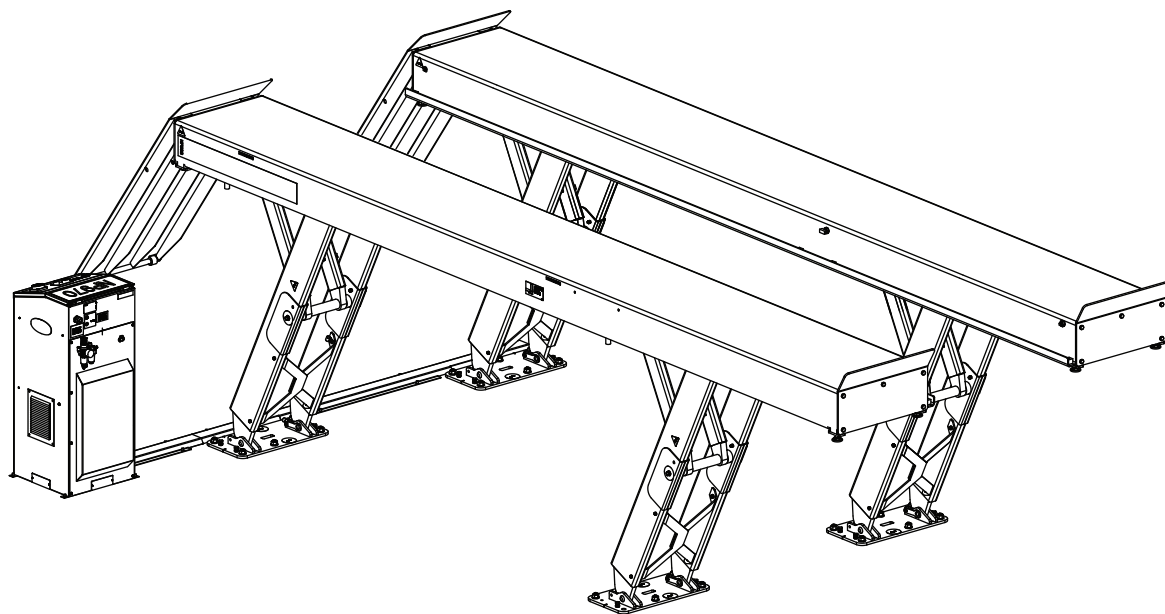
# Y12

## SURFACE AND FLUSH MOUNTED LIFT

(000 SERIES)

12000 lb. Capacity

(6000 lbs. per axle)



P  
A  
R  
T  
S  
  
B  
R  
E  
A  
K  
D  
O  
W  
N

**IMPORTANT:** When ordering parts or requesting service always give exact model and power unit serial number. Model number is shown on nameplate attached to air lock release valve. Power unit serial number is located on side of power unit.

OWNERS RECORD  
Complete information at right and keep in a safe place.

Date Installed \_\_\_\_\_

Installed in Bay # \_\_\_\_\_

Power Unit Serial # \_\_\_\_\_

Power Unit Model # \_\_\_\_\_

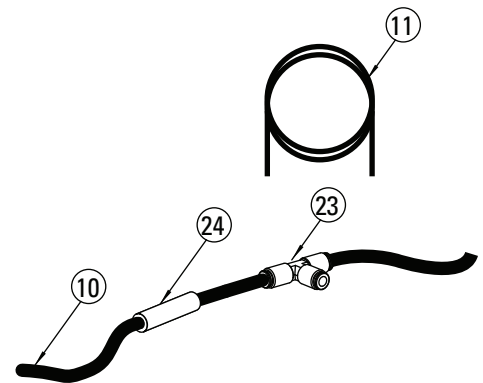
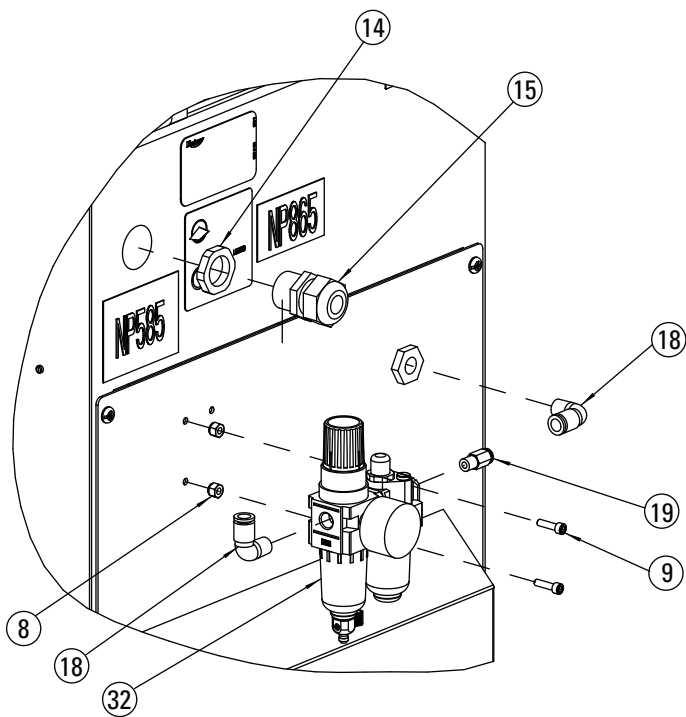
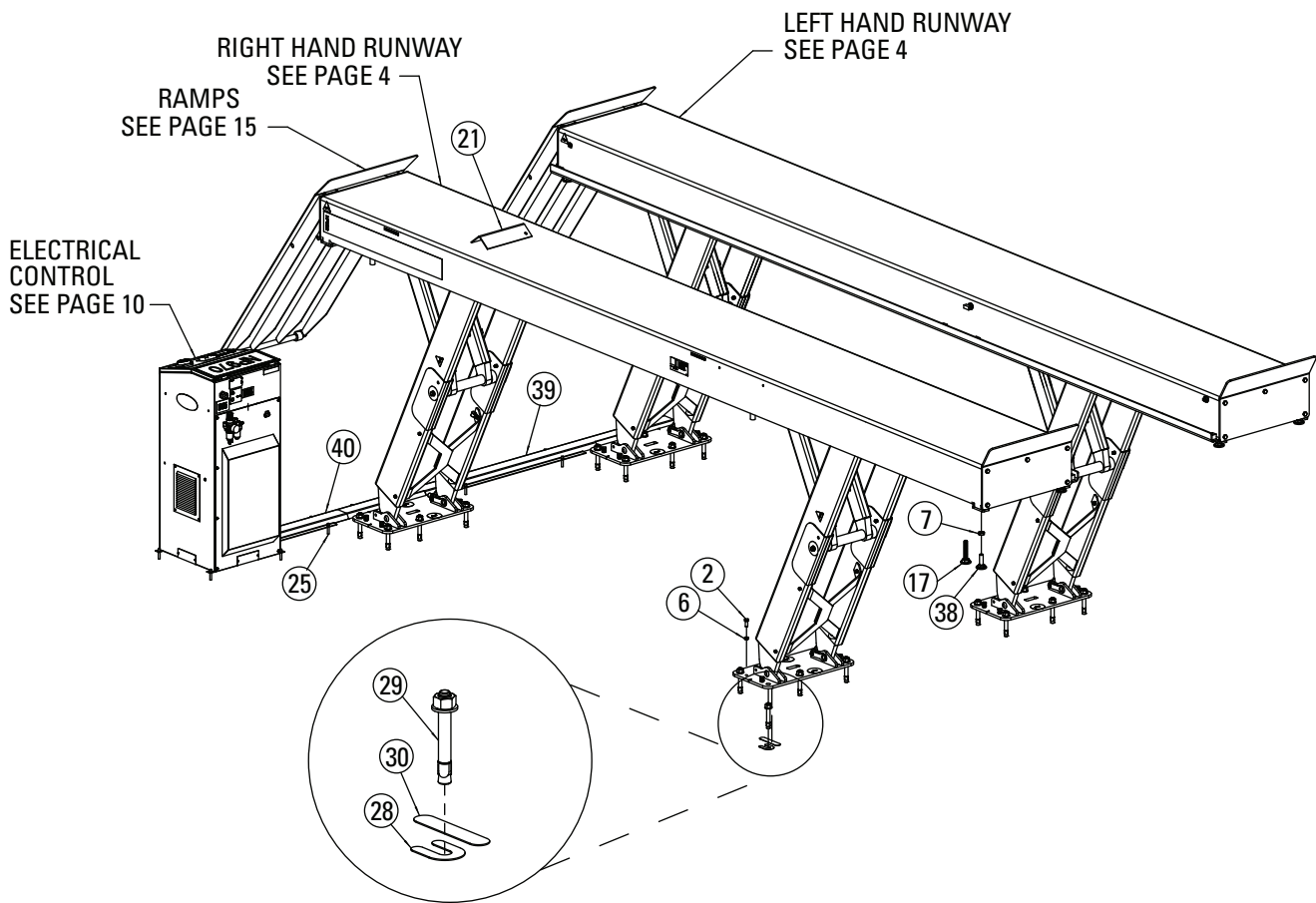
Lift Serial # \_\_\_\_\_

Lift Model # \_\_\_\_\_

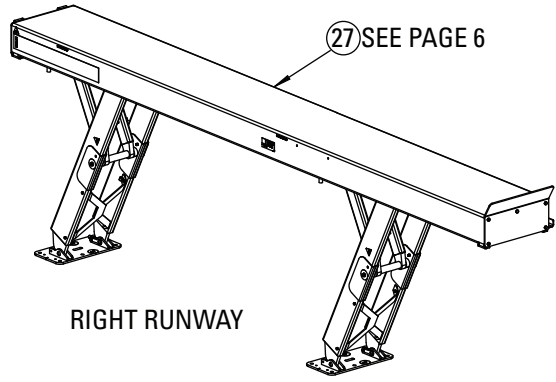
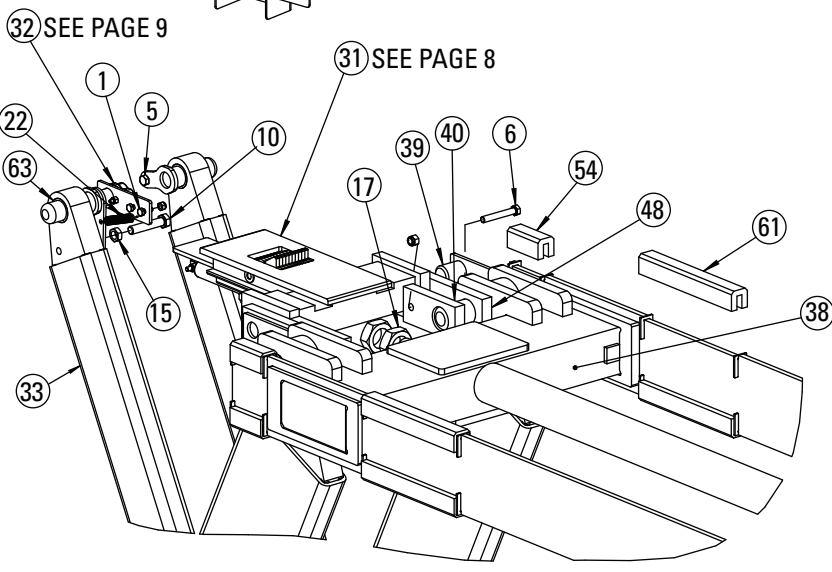
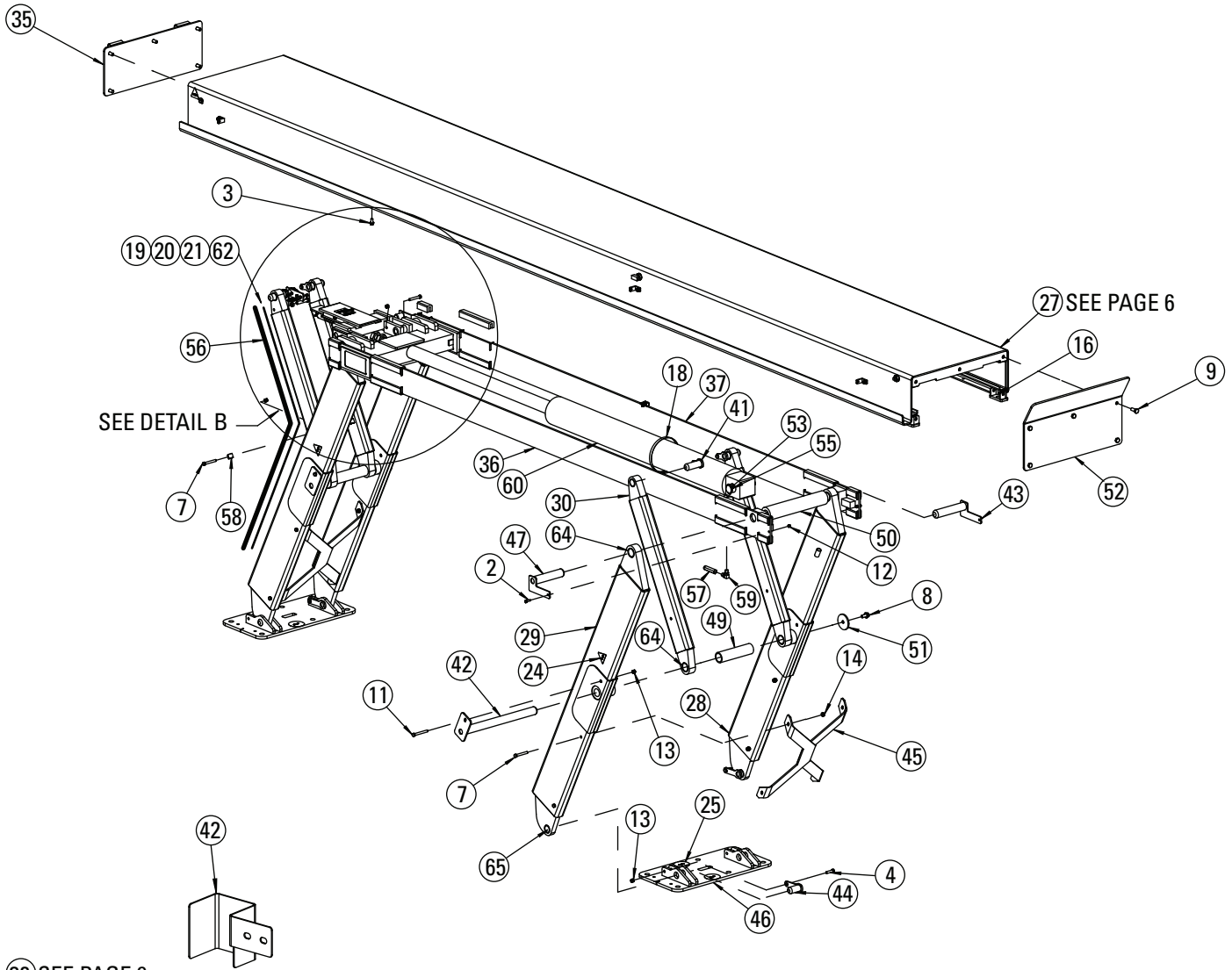
NOTE: For replacement parts -See your nearest Rotary Parts Distributor.

**PB2-33-6**  
Rev. B 1/6/2011

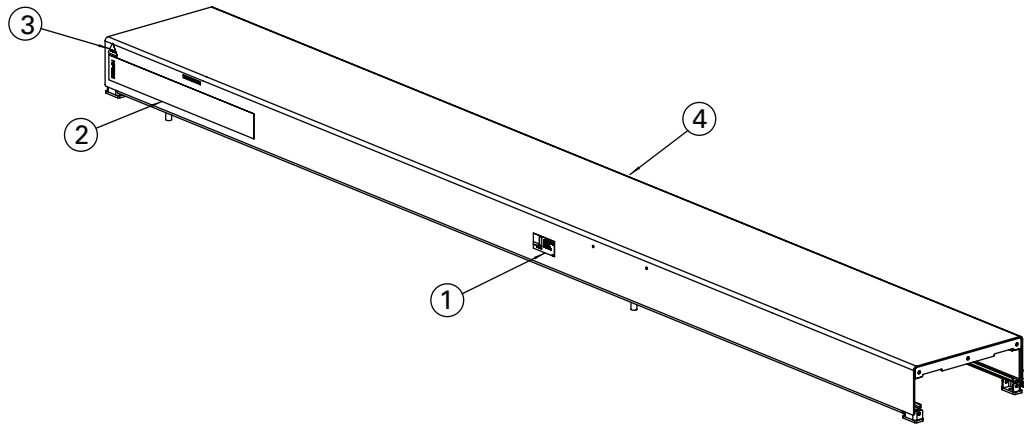




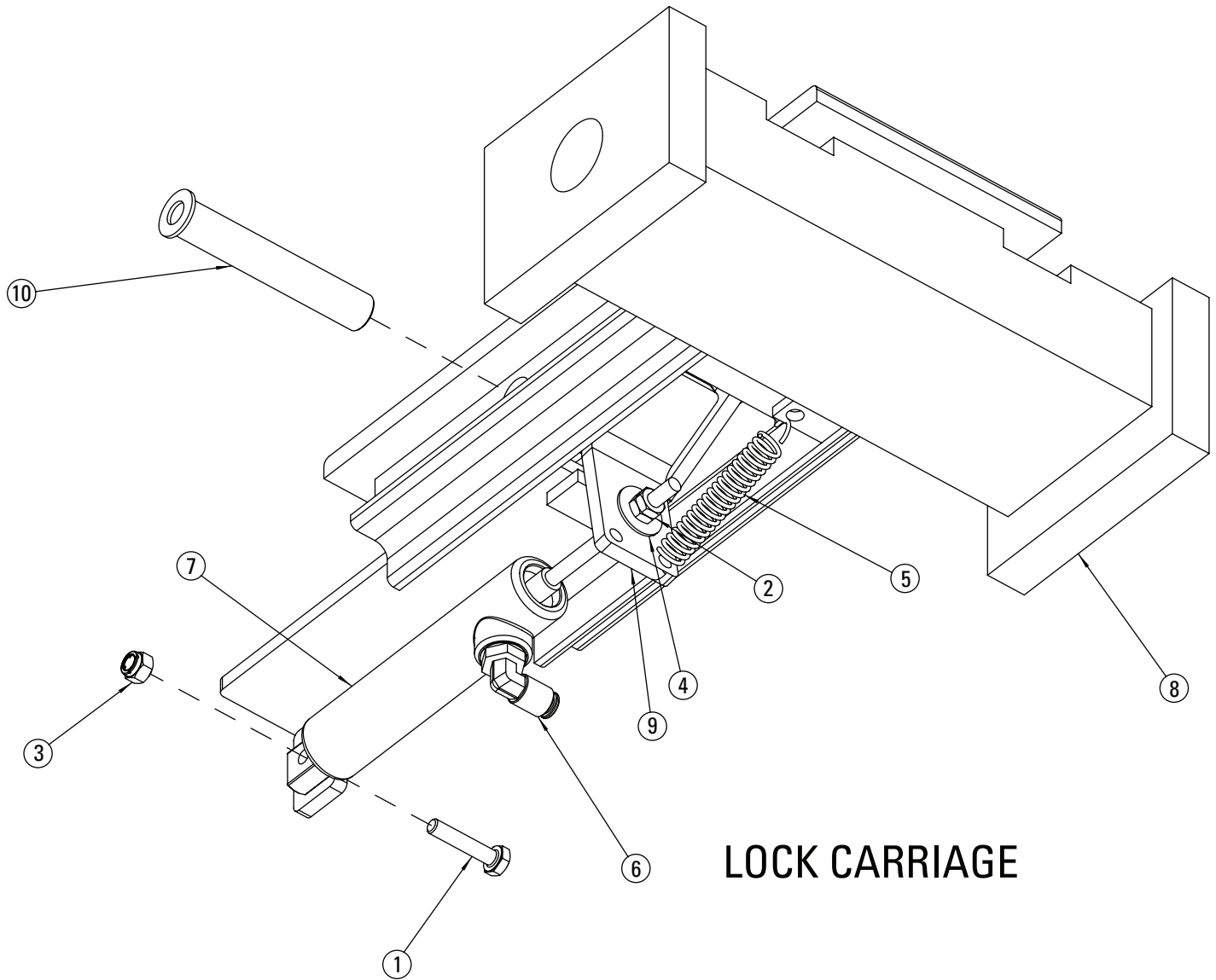
ITEM	PART NO.	DESCRIPTION
1	NA	NA
2	40280	1/2"-13NC x 1-1/4" Lg HHCS, GRD5
3	NA	NA
4	NA	NA
5	NA	NA
6	40700	1/2"-13NC HEX JAM NUT
7	40759	3/4"-10NC HEX JAM NUT, PLTD
8	40811	#10-24NC HEX NYLON INSERT LOCKNUT
9	AP00027	#10-24NC x 3/4" Lg. HEX SHCS
10	FA2230-2	TUBE 1/4" X 60' #PPB-43
11	FA2230-15	3/8 PARAFLEX HOSE-40' LG
12	NA	NA
13	FA5157	CARBON STEEL RADIUS GAUGE
	S130205	STAINLESS STEEL RADIUS GAUGE
14	FA7188-10	3/4" NPT LOCKNUT
15	FA7189-9	3/4" NPT STRAIN RELIEF
16	NA	NA
17	FC134-36	ADJUSTMENT SCREW ASSEMBLY (LONG)
18	FC147-7	MALE ELBOW
19	FC147-8	MALE CONNECTOR
20	NA	NA
21	FC320	WHEEL CHOCK
22	NA	NA
23	FC5225-46	UNION TEE
24	FC5225-98	1/4" UNION
25	FC5388-98	3/8" CONCRETE ANCHOR
26	NA	NA
27	NA	NA
28	FJ716-6	NOTCHED SHIM
29	FJ7380	3/4" X 5-1/2" CONCRETE ANCHOR
30	FJ7659-3	FRONT SHIM
31	NA	NA
32	S130080	FILTER-REGULATOR-LUBRICATOR
33	NA	NA
	NA	NA
34	NA	NA
	NA	NA
35	NA	NA
36	NA	NA
37	NA	NA
38	Z110021	ADJUSTMENT SCREW ASSEMBLY (SHORT)
39	Z130159	BASEPLATE HOSE COVER
40	Z130160	HOSE COVER
41	NA	NA
42	Z130188	POSITION SENSOR GUARD



ITEM	PART NO.	DESCRIPTION
1	40104	1/4"-20NC x 3/4" Lg HHCS, GRD5 PLTD
2	40108	1/4"-20NC x 1" Lg HHCS, GRD5 PLTD
3	40124	3/8"-16NC x 3/4" Lg. HEX FLGD WZLOCK CS, PLTD
4	40201	3/8"-16NC x 1-1/2" Lg HHCS, GRD5 PLTD
5	40204	3/8"-16NC x 1-3/4" Lg HHCS, GRD8
6	40205	3/8"-16NC x 2-1/2" Lg HHCS, GRD5
7	40210	3/8"-16NC x 2-3/4" Lg HHCS, GRD5
8	40262	1/2"-13NC x 1" Lg. HEX FLGD WZLOCK CS, PLTD
9	40286	1/2"-13NC x 1-1/4" Lg HHCS, GRD5 PLTD
10	40728	1/2"-13NC x 3" Lg HHCS, GRD5
11	40393	3/8"-16NC x 3-1/4" Lg HHCS, GRD5 PLTD
12	40642	1/4"-20NC HEX NYLON INSERT LOCKNUT
13	40657	3/8"-16NC HEX NYLON INSERT LOCKNUT
14	NA	NA
15	40700	1/2"-13NC HEX JAM NUT
16	40707	1/2"-13NC HEX NYLON INSERT LOCKNUT
17	41104	1-1/4"-7NC HEX JAM NUT
18	991082	5/16" WIDE x 21" LONG BLACK WIRE TIE
19	AP00192	3/8 SPIRAL WRAP
20	FA2230-2	TUBE 1/4" X 60' #PPB-43
21	FA2230-15	3/8 PARAFLEX HOSE-40' LG
22	FC522-25	SPRING
23	NP765	LABEL C1 (NOT SHOWN)
	NP766	LABEL C2 (NOT SHOWN)
24	NP945	KEEP CLEAR OF PINCH POINTS WARNING NAMEPLATE
25	NP946	DO NOT USE ANCHOR HOLE WARNING NAMEPLATE
26	NP954	INTRINSICALLY SAFE NAMEPLATE (NOT SHOWN)
27	Z110046	LEFT RUNWAY ASSEMBLY (EL1 VERSION) (SEE PAGE 6)
	Z110050	LEFT RUNWAY ASSEMBLY (L VERSION) (SEE PAGE 6)
	Z110047	RIGHT RUNWAY ASSEMBLY (EL1 VERSION) (SEE PAGE 6)
	Z110051	RIGHT RUNWAY ASSEMBLY (L VERSION) (SEE PAGE 6)
28	Z110007	LEFT LEG ASSEMBLY
29	Z110008	RIGHT LEG ASSEMBLY
30	Z110011	LIFT ARM ASSEMBLY
31	Z110012	LOCK CARRIAGE ASSEMBLY (SEE PAGE 8)
32	Z110024	POSITION SENSOR ASSEMBLY (SEE PAGE 9)
33	Z110025	ARM ASSY - SENSOR
34	NA	NA
35	Z120003	RUNWAY ENDPLATE WELD
36	Z120017	RIGHT SLIDE BEAM WELD
37	Z120018	LEFT SLIDE BEAM WELD
38	Z120019	HYD CYLINDER ROD MOUNT WELD
39	Z120021	LOCK DRAG LINK PIN WELD
40	Z120022	LOCK SLIDER PIN WELD
41	Z120023	UPPER PIN WELD
42	Z120024	CENTER PIN WELD
43	Z120025	LEFT FRONT UPPER PIN WELD
44	Z120026	LOWER PIN WELD
45	Z120048	LEG REINFORCEMENT WELD
46	Z120049	BASEPLATE WELD
47	Z120050	RIGHT FRONT UPPER PIN WELD
48	Z130037	LOCK DRAG LINK
49	Z130052	CENTER PIN SPACER TUBE
50	Z130054	FRONT UPPER PIN SPACER TUBE
51	Z130064	LEG SUPPORT PLATE
52	Z120079	FRONT WHEEL STOP
53	Z130128	HYD CYLINDER PIN
54	Z140005	SLIDERS
55	Z140008	HYD CYLINDER PIN RETAINER
56	Z140016	HYDRAULIC HOSE
57	Z140023	VELOCITY FUSE
58	Z140034	HOSE CLAMP
59	Z140035	SAE#6 ELBOW FITTING
60	Z140039Y	HYDRAULIC CYLINDER
61	Z140051	LONG SLIDER
62	Z150044	SENSOR HARNESS
63	Z140002	1-1/4" BEARING
64	Z140003	1-1/2" BEARING
65	Z140007	SHORT 1-1/4" BEARING



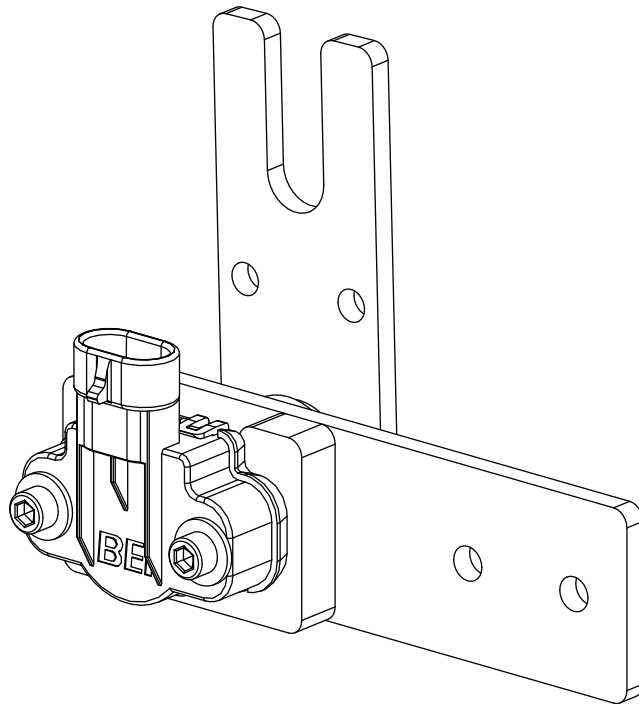
ITEM	PART NO.	DESCRIPTION
1	NP253	FOOT WARNING DECAL
2	NP592	ROTARY DECAL
3	NP944	HAND CRUSH/FORCE FROM ABOVE WARNING LABEL
4	Z120083	RIGHT RUNWAY WELDMENT (EL1 VERSION)
	Z120085	RIGHT RUNWAY WELDMENT (L VERSION)
	Z120082	LEFT RUNWAY WELDMENT (EL1 VERSION)
	Z120084	LEFT RUNWAY WELDMENT (L VERSION)



## LOCK CARRIAGE

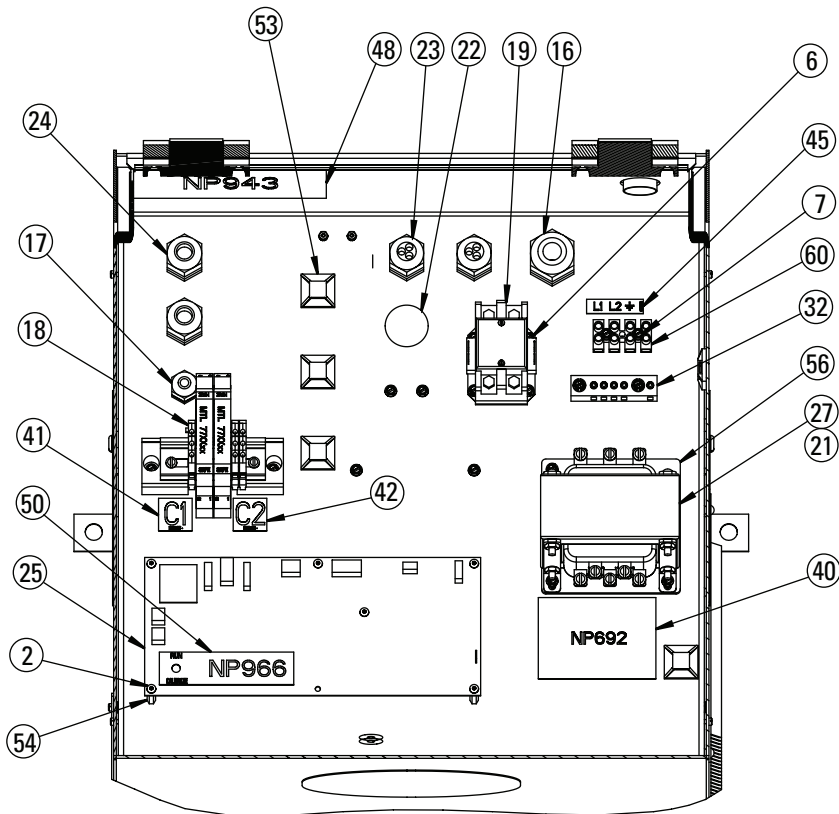
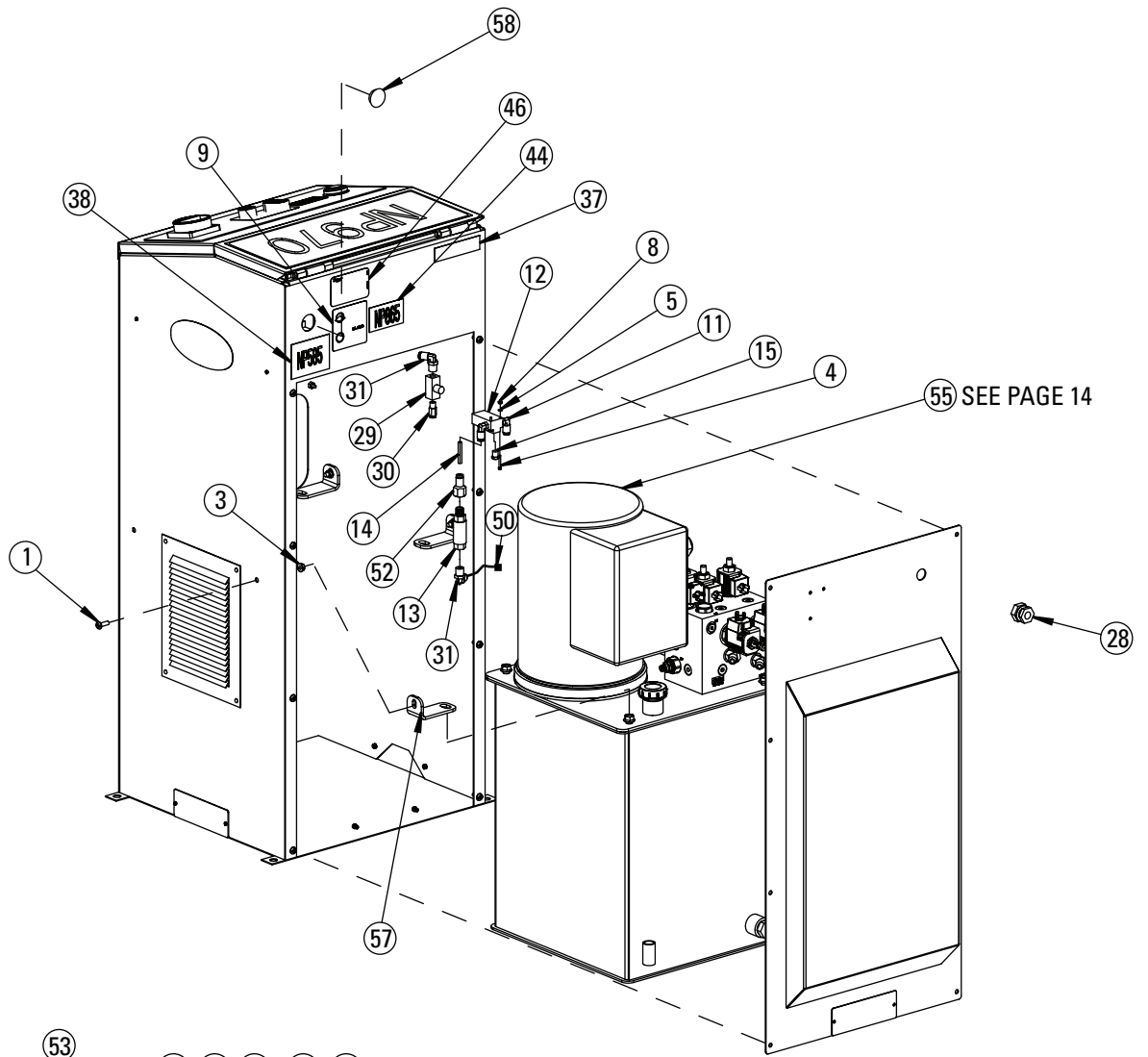
ITEM	PART NO.	DESCRIPTION
1	40115	1/4"-20NC x 1-1/4" Lg HHCS, GRD5
2	40622	1/4"-28NF HEX JAM NUT
3	40642	1/4"-20NC HEX NYLON INSERT LOCKNUT
4	41076	17/64"ID x 7/8"OD x 3/64" THK WASHER, PLTD
5	FC522-25	SPRING
6	FC5341-90	MALE ELBOW CONNECTOR
7	T140062	AIR CYLINDER
8	Z120020	LOCK CARRIAGE WELD
9	Z120027	LOCK DOG WELD
10	Z120073	LOCK DOG PIN WELD

## POSITION SENSOR

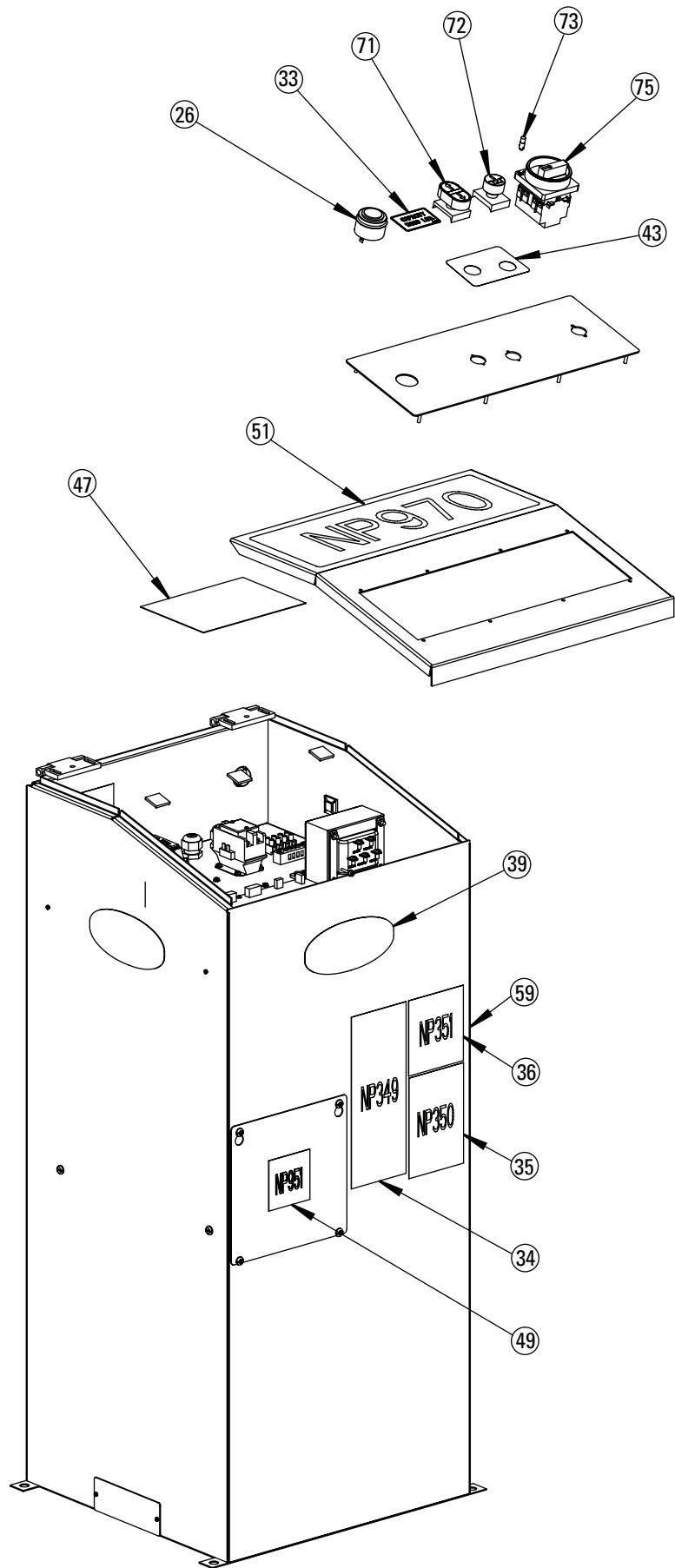


**Must Be Ordered /Replaced As An Assembly  
Order Position Sensor Kit Z100032**





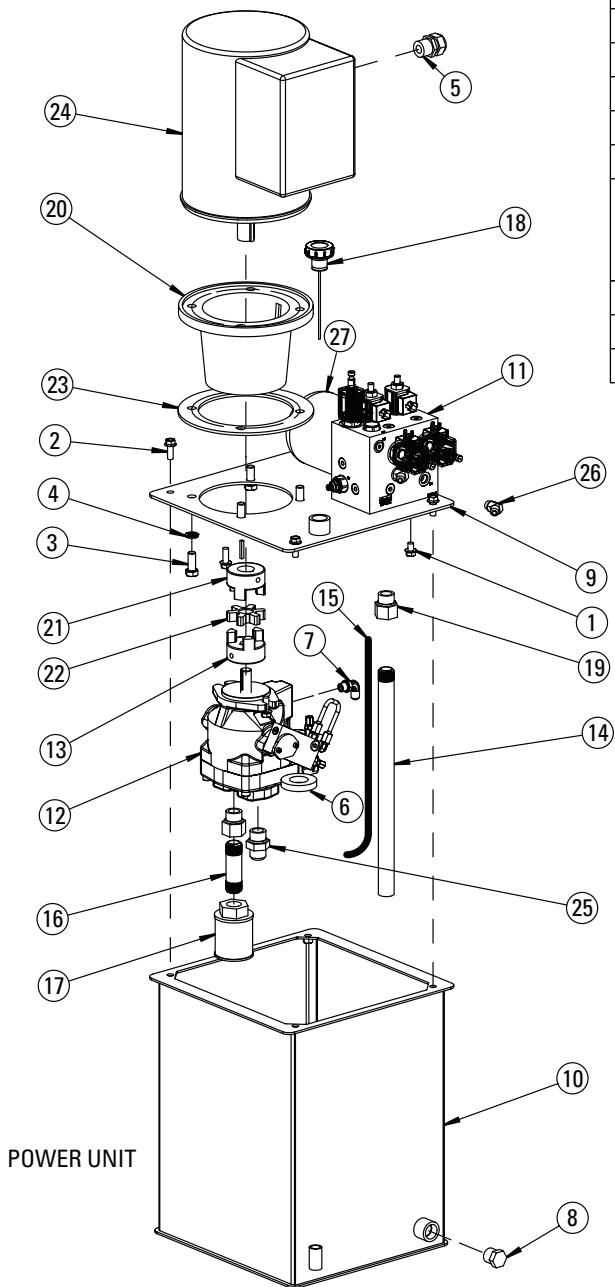
## ELECTRICAL CONTROL

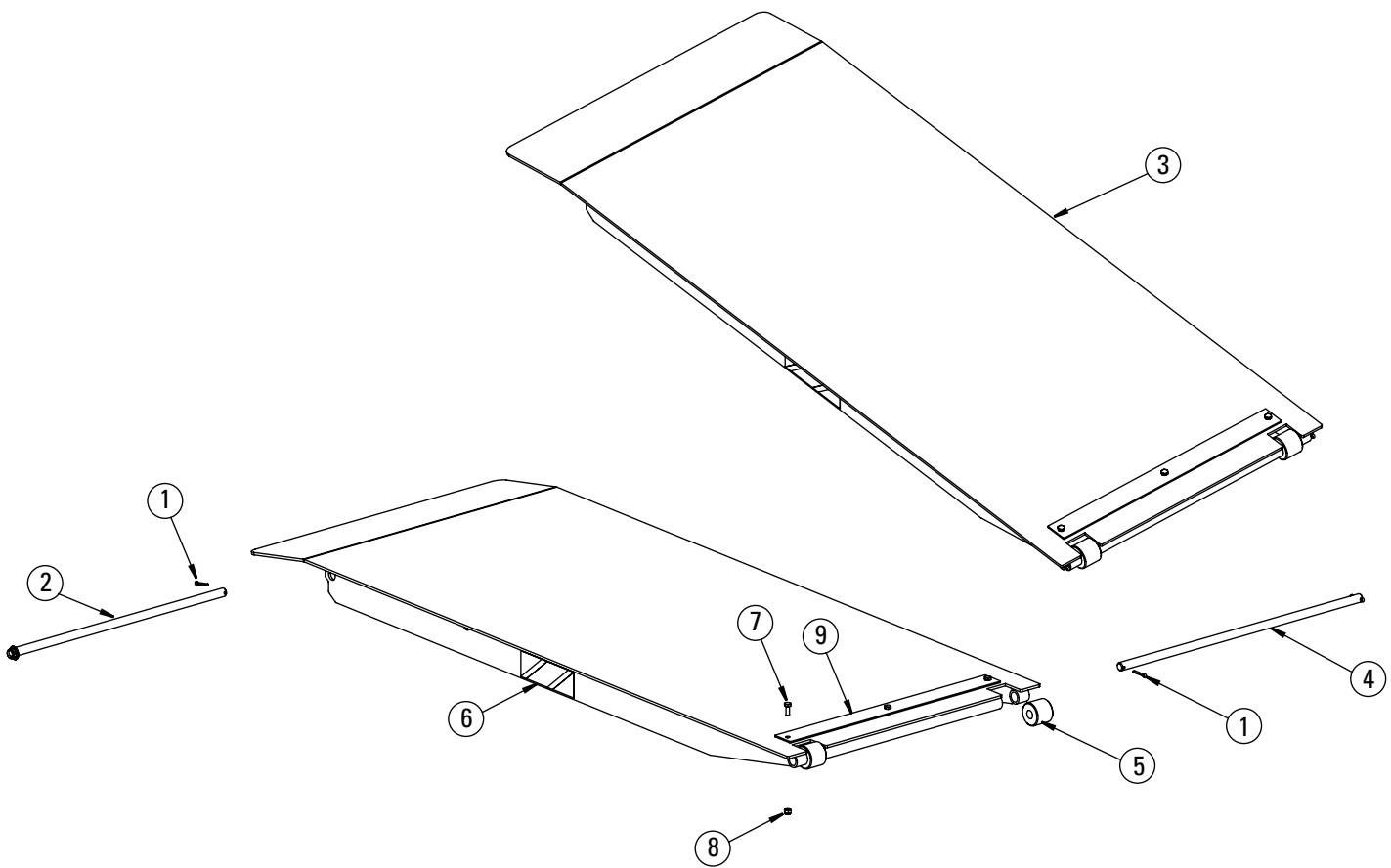


ITEM	PART NO.	DESCRIPTION
1	40075	1/4"-20NC x 3/4" Lg. SLOTTED PHMS
2	40177	#6-32NC x 1/4" Lg. BHCS
3	40641	1/4"-20NC HEX FLGD WZLOCK NUT, PLTD
4	41465	#4-40NC x 7/8" Lg. HEX SHCS
5	41466	#4 EXT TOOTH LW, PLTD
6	41470	#8-32 x 1/4" Lg. HEX WHSFTS, PLTD
7	41476	#8-32 x 5/8" Lg. HEX WHSFTS, PLTD
8	41547	#4-40 NUT
9	ALI-ETL	NAMEPLATE
10	AP00192	3/8 SPIRAL WRAP (NOT SHOWN)
11	FA3134-6	MALE ELBOW CONNECTOR
12	FA7184-4	LATCH AIR VALVE
13	FA7184-11	IN-LINE REGULATOR - 1/4" NPT
14	FA7186-3	1/4" FLEXIBLE NYLON TUBING x 1-1/2" LG.
15	FA7189-5	1/8" NPT BRASS FILTER
16	FA7189-9	3/4" NPT STRAIN RELIEF
17	FA7189-14	3/8" NPT STRAIN RELIEF
18	FA7628	ZERO-SCISSOR BARRIER KIT
19	FA7652	CONTACTOR
20	NA	NA
21	FA7939	TRANSFORMER SECONDARY ADAPTER HARNESS (H16)
22	FA7958-10	7/8" HOLE PLUG
23	FA7958-14	1/2"NPT 3 HOLE CORD GRIP
24	FA7958-28	CORD GRIP
25	FA7965	CONTROL BOARD
26	FA7974	AUDIBLE SIGNAL DEVICE
27	FA7990	TRANSFORMER
28	FC147-1	FEMALE BULKHEAD
29	FC147-5	MALE BRANCH TEE
30	FC147-8	MALE CONNECTOR
31	FC5341-90	MALE ELBOW CONNECTOR
32	MC130027	GROUND BAR
33	NP243	DECAL - 12000 LBS CAP
34	NP349	ALI/WL200W LABEL
35	NP350	ALI/WL200S LABEL
36	NP351	ALI/WL200C LABEL
37	NP470	MOTOR LOCATION WARNING LABEL
38	NP585	MULTIPLE POWER SOURCE LABEL
39	NP607	NAMEPLATE
40	NP692	NAMEPLATE
41	NP765	C1 LABEL
42	NP766	C2 LABEL
43	NP797	2P BUTTON LABEL
44	NP865	NAMEPLATE
45	NP929	NAMEPLATE
46	NP93	NAMEPLATE
47	NP942	SINGLE PHASE ELECTRICAL SCHEMATIC NAMEPLATE
48	NP943	NAMEPLATE
49	NP951	OIL FILTER REPLACEMENT NAMEPLATE
50	NP966	CALIBRATION LABEL

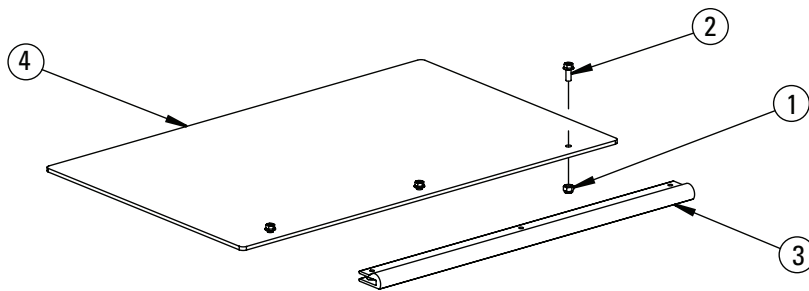
51	NP970	NAMEPLATE
52	T140081	FEMALE CONNECTOR
53	XS130094	WIRE TIE DOWN
54	XS130097	FEMALE THD STAND OFF #6-32 x 1-1/4 Lg. MMC #91780A760
55	Z110018	SINGLE PHASE POWER UNIT (SEE PAGE 14)
	Z110034	THREE PHASE POWER UNIT
	Z110035	THREE PHASE POWER UNIT (575V)
56	Z120074	TRANSFORMER MOUNTING PLATE WELD
57	Z130108	POWER UNIT MOUNTING BRACKET
58	Z140046	1-3/16" HOLE PLUG
59	Z150003	CONTROL CABINET
60	Z150031	4-POLE TERMINAL
61	Z150033	ACTUATOR HARNESS (NOT SHOWN - SEE ELECTRICAL SCHEMATIC)
62	Z150034	VALVE HARNESS (NOT SHOWN - SEE ELECTRICAL SCHEMATIC)
63	Z150035	VALVE HARNESS (NOT SHOWN - SEE ELECTRICAL SCHEMATIC)
64	Z150036	TB4 HARNESS (NOT SHOWN - SEE ELECTRICAL SCHEMATIC)
65	Z150038	E-STOP BYPASS HARNESS (NOT SHOWN - SEE ELECTRICAL SCHEMATIC)
66	Z150039	24V POWER HARNESS (NOT SHOWN - SEE ELECTRICAL SCHEMATIC)
67	Z150040	HI GROUND CABLE (NOT SHOWN - SEE ELECTRICAL SCHEMATIC)
68	Z150041	DISCONNECT-CONTACTOR HARNESS (NOT SHOWN - SEE ELECTRICAL SCHEMATIC)
69	Z150042	POWER HARNESS (NOT SHOWN - SEE ELECTRICAL SCHEMATIC)
	Z150056	THREE PHASE POWER HARNESS (NOT SHOWN - SEE ELECTRICAL SCHEMATIC)
70	Z150043	MOTOR CABLE (NOT SHOWN - SEE ELECTRICAL SCHEMATIC)
	Z150057	THREE PHASE MOTOR CABLE (NOT SHOWN - SEE ELECTRICAL SCHEMATIC)
71	Z150047	DUAL PUSH BUTTON
72	Z150048	ILLUMINATED SINGLE PUSH BUTTON
73	Z150049	6V LAMP
74	Z150050	AIRLINE TUBING
75	Z150051	DISCONNECT SWITCH W/HANDLE

ITEM	PART NO.	DESCRIPTION
1	40129	3/8"-16NC x 1/2" Lg. HEX FLGD WZLOCK CS, PLTD
2	40144	3/8"-16NC x 1" Lg. HEX FLGD WZLOCK CS, PLTD
3	40286	1/2"-13NC x 1-1/4" Lg HHCS, GRD5 PLTD
4	40915	1/2" HELICAL SPRING LW, PLTD
5	FA7189-9	3/4" NPT STRAIN RELIEF
6	FC756-1	MAGNET
7	FJ7224	ELBOW ADAPTER
8	XS130044	DRAIN PLUG
9	Z120038	HYD TANK COVER WELD
10	Z120039	HYD TANK WELD
11	Z140009	POWER UNIT MANIFOLD
12	Z140010	POWER UNIT HYD PUMP
13	Z140011	PUMP COUPLING
14	Z140013	RETURN LINE
15	Z140015	PUMP/MANIFOLD HOSE
16	Z140017	SUCTION TUBE
17	Z140019	SUCTION STRAINER
18	Z140024	CAP W/DIPSTICK
19	Z140028	SAE#12 x 3/4 NPT FITTING
20	Z140040	PUMP MOUNT ADAPTER
21	Z140041	MOTOR COUPLING
22	Z140042	COUPLING SPIDER
23	Z140043	MOUNT ADAPTER GASKET
24	Z140044	SINGLE PHASE MOTOR
	Z140052	THREE PHASE MOTOR
	Z140053	THREE PHASE MOTOR (575V)
25	Z140045	SAE#12 O-RING x JIC FITTING
26	Z140049	45 DEGREE ADAPTER
27	Z140057	FILTER





ITEM	PART NO.	DESCRIPTION
1	41202	5/32" x 1" Lg COTTER PIN
2	FC134-99	HINGE PIN
3	Z110019	STANDARD RAMP ASSEMBLY
	Z110020	EXTENDED RAMP ASSEMBLY
4	Z130100	ROLLER SHAFT
5	Z140014	RAMP ROLLER
6	N220-3	TRAFFIC TAPE
7	40104	1/4"-20NC x 3/4" Lg HHCS GRADE 2 PLATED
8	40642	1/4"-20NC HEX NYLON INSERT LOCKNUT
9	Z130192	RAMP CAUTION STRIP



ITEM	PART NO.	DESCRIPTION
1	40642	1/4"-20NC HEX NYLON INSERT LOCKNUT
2	42000	1/4"-20NC x 5/8" Lg. HEX FLGD WZLOCK CS, PLTD
3	FC327-4	RAMP CHOCK SLIDE
4	Z120044	FLUSH RAMP WELD

## NOTES

**Rotary World Headquarters**

2700 Lanier Drive  
Madison, IN 47250, USA  
www.rotarylif.com

**North America Contact Information**

Tech. Support:  
p 800.445.5438  
f 800.578.5438  
e userlink@rotarylif.com  
Sales:  
p 800.640.5438  
f 800.578.5438  
e userlink@rotarylif.com

**World Wide Contact Information**

World Headquarters/USA: 1.812.273.1622  
Canada: 1.905.812.9920  
European Headquarters/Germany: +49.771.9233.0  
United Kingdom: +44.178.747.7711  
Australasia: +60.3.7660.0285  
Latin America / Caribbean: +54.3488.431.608  
Middle East / Northern Africa: +49.771.9233.0

**© Vehicle Service Group<sup>SM</sup>**

Printed in U.S.A., All Rights Reserved. Unless otherwise indicated, ROTARY, and all other trademarks are property of Dover Corporation and its affiliates.

