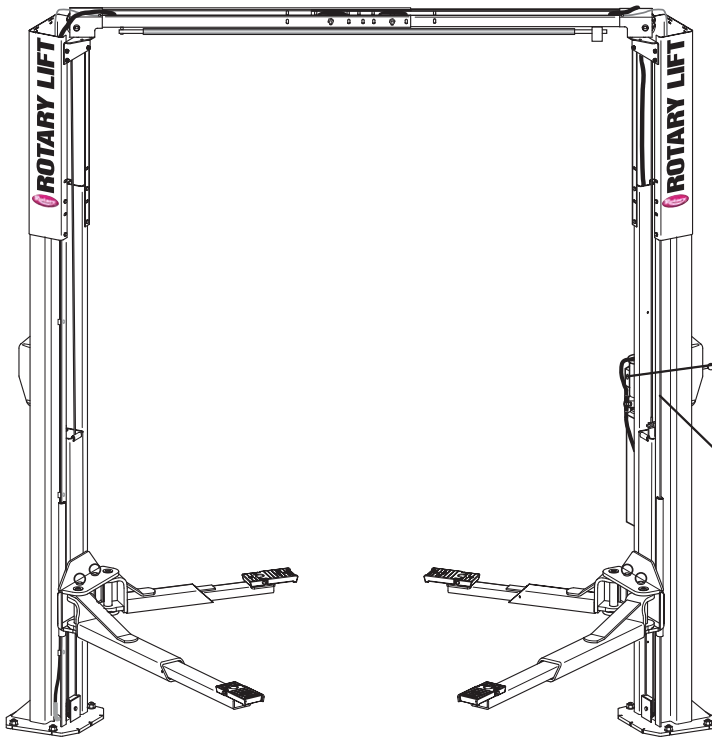




# SPOA10NB, SPOA10, SPO10

(200 Series Lifts)  
Capacity 10,000 lbs.

P  
A  
R  
T  
S  
  
B  
R  
E  
A  
K  
D  
O  
W  
N



GHS™	PT#	_____	Nº	_____
	PH	_____	MAX AMB	_____
DUTY		_____	INS	_____
THERMAL PROTECTION		_____		
HP		_____	Kw	_____
AMPS		_____	VOLTS	_____
HZ		_____	RPM	_____
IP		_____		
<small>CE E.C. 3.4.1</small>				
<small>WARNING: MOTOR MUST BE GROUNDED IN ACCORDANCE WITH LOCAL AND NATIONAL ELECTRICAL CODES TO PREVENT SERIOUS ELECTRICAL SHOCKS</small>				

Rotary 800-445-5438	<b>IMPORTANT</b>		NPS3
	DO NOT REMOVE THIS TAG WARRANTY IDENTIFICATION		
MODEL:	_____		MADE IN THE USA
CAP. LBS:	_____		
SERIAL NUMBER	_____		
<small>MANUFACTURED UNDER ONE OF THESE PATENTS 5009287</small>			
Rotary Lift		A DOVER COMPANY Madison, IN	

**IMPORTANT:** When ordering parts or requesting service always give exact model and power unit serial number. Model number is shown on nameplate attached to power unit column. Power unit serial number is located on side of power unit.

<b>OWNERS RECORD</b> Complete information at right and keep in a safe place.	Date Installed _____
	Installed in Bay # _____
	Power Unit Serial # _____
	Power Unit Model # _____
	Lift Serial # _____
	Lift Model # _____
<b>NOTE: For replacement parts -See your nearest Rotary Parts Distributor.</b>	

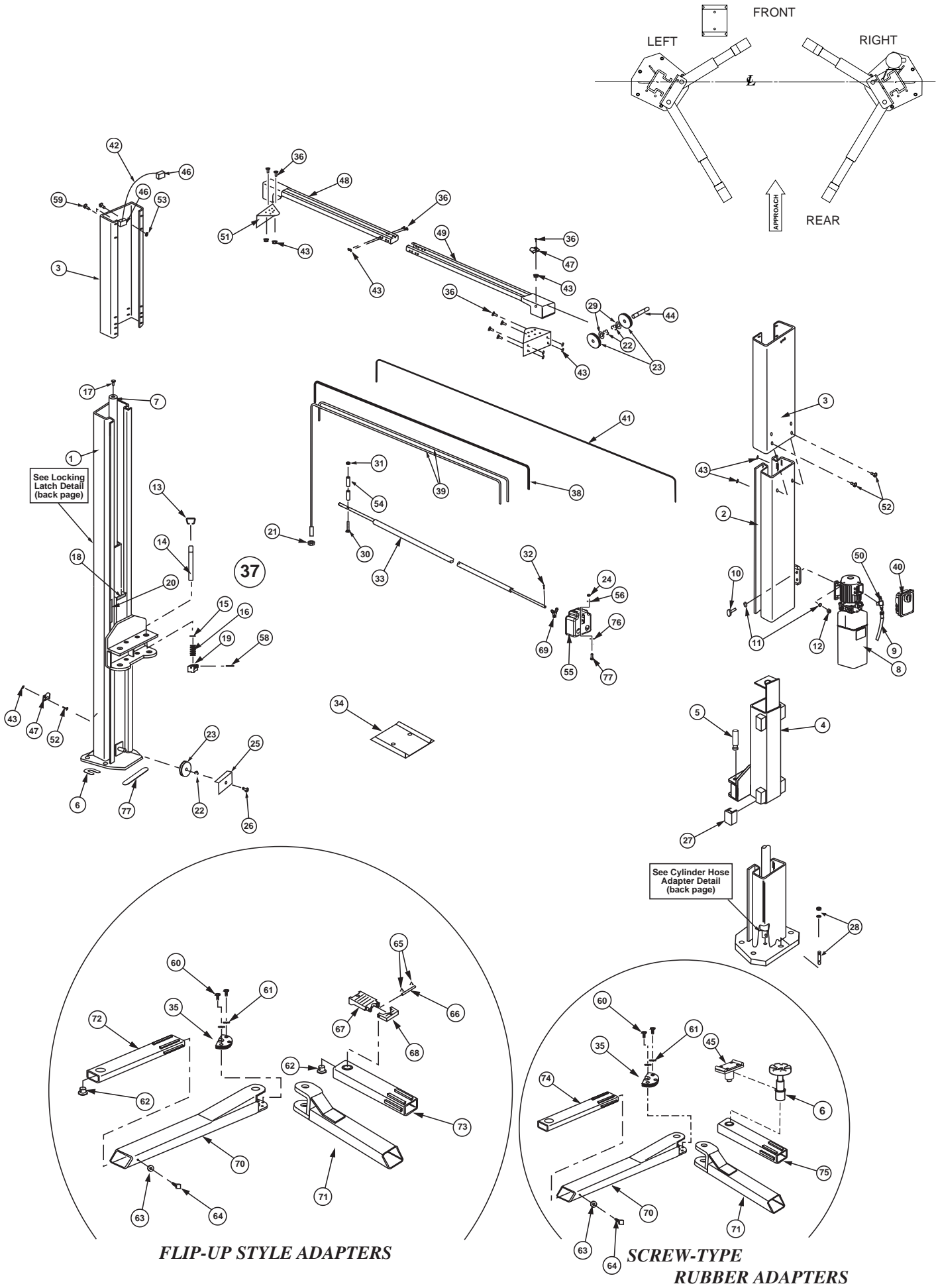
**PB 2-2-40**  
CO5909.3 Rev. A 11/13/2003

1.	L.H. Column Weldment .....	N752
2.	R.H. Column Weldment .....	N755
3.	Column Extension	
	Standard Height .....	N470
	EH-1 MODEL .....	N471
	EH-2 MODEL .....	N472
	EH-4 MODEL (SPO10 only) .....	N474
4.	Carriage Yoke Weldment .....	N822
5.	Arm Pin .....	N2154
6.	Horse Shoe Shim .....	FJ716-6
7.	Hydraulic Cylinder .....	FJ7664
8.	Power Unit	
	1Ø 60Hz .....	P1350
	3Ø .....	P1346
9.	Power Unit Hose .....	FJ837
10.	5/16"-18NC x 1-1/2" Bolt (Full Thread) .....	40271
11.	5/16" External Tooth Lockwasher .....	40854
12.	5/16"-18NC Hex Nut .....	40670
13.	Actuator Pin Handle .....	FJ7985-1
14.	Actuator Pin .....	N121-1
15.	Retaining Pin .....	N119-3
16.	Arm Restraint Spring .....	FJ7656-2
17.	Bleeder Screw (Specify Manufacturer) .....	N/A
18.	Carriage Bumper .....	FA941
19.	Arm Restraint Pawl .....	N2121
20.	Approach bumper .....	FJ7391-1
21.	5/8"-11NC Nylon Insert Lock Nut .....	40743
22.	Truarc #5304-75 Klipping for 3/4" Shaft .....	41411
23.	Sheave .....	N377
24.	1/4"-20NC Zinc Hex Nut .....	40627
25.	Sheave Cover .....	N119-1
26.	1/4"-20NC x 3/8" Lg. PHMS Plated (2 pcs.) .....	40063
27.	Slider block .....	FJ7360
28.	3/4" Concrete Anchor .....	FJ7380
29.	1-1/2" O.D. x .760-.770" I.D. x .045" Bushing .....	41388
30.	1Ø 1/4"-20NC x 2" HHCS .....	40109
	3Ø 1/4"-20NC x 2-3/4" HHCS .....	40114
31.	1/4"-20NC Insert Locknut .....	40642
32.	1/8" x 1" Lg. Cotter Pin (3Ø only) .....	41200
33.	Switch Bar Assembly	
	1Ø SPOA10NB .....	N415
	1Ø SPOA10/SPO10 .....	N467
	3Ø .....	N434
34.	Wheel Spotting Dish Kit .....	FF729
35.	Arm Restraint Gear .....	N2122
36.	3/8"-16 NC x 3/4" Long Flanged HHCS .....	40124
*37.	Arm Restraint Kit (1 arm) .....	*N2148
38.	Overhead Hose	
	Standard .....	FJ839
	EH-1 MODEL .....	FJ842
	EH-2 MODEL .....	FJ843
	EH-4 MODEL (SPO10 only) .....	FJ845
39.	Equalizer Cables	
	SPOA10NB .....	N384
	SPOA10NB EH-1 MODEL .....	N385
	SPOA10NB EH-2 MODEL .....	N386
	SPOA10 .....	N372
	SPOA10 EH-1 MODEL .....	N378
	SPOA10 EH-2 MODEL .....	N373
	SPO10 .....	N374
	SPO10 EH-1 MODEL .....	N379
	SPO10 EH-2 MODEL .....	N375
	SPO10 EH-4 MODEL .....	N376
40.	Capacitor Box .....	FA7147-1
	Capacitor Box Cover Plate .....	FA7203-1
	Drum Switch .....	FA7205
	Drum Switch Handle .....	FA7205-1
	M5 x 10 PHMS, Plated .....	40275
41.	Locking Latch Cable .....	FJ7595-1
	EH-4 (SPO10 only) .....	FJ7600
42.	Cable Guide .....	N618
43.	3/8"-16NC Flanged Locknut .....	40664
44.	Sheave Shaft .....	FJ7444-8
45.	Adapter Assembly .....	FJ6182
	Rubber Pad .....	FJ6158-4
46.	Cable End Bracket .....	N619
47.	Hose Clip .....	N383

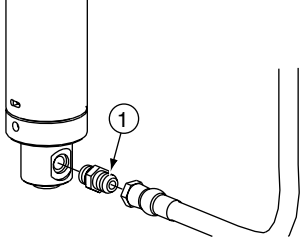
48.	L.H. Overhead Assembly (Outer) .....	N480
49.	R.H. Overhead Assembly (Inner) .....	N481
50.	Branch Tee .....	FJ7668
51.	Column Mounting Bracket .....	N439
52.	3/8"-16NC x 3/4" Carriage Bolts .....	N/A
53.	1/4"-20NC Flanged Locknut .....	40641
54.	3/4" Spacer .....	FJ7871
55.	Cutoff Switch Assembly	
	1Ø .....	N413
	3Ø .....	N432
	Cutoff Switch	
	1Ø .....	N413-1
	3Ø .....	N432-1
56.	1/4" External Tooth Lockwasher .....	40779
57.	N/A .....	N/A
58.	Spring Pin-1/4" dia. x 1-1/2" Lg. (Stainless) .....	14427
59.	1/4"-20NC x 1" HHCS Grade 5 .....	40108
60.	3/8"-16NC x 1-1/2" HHCS Grade 5 .....	40200
61.	3/8" Spring Washers .....	40818
62.	Adapter Swivel Pin .....	FJ79-6
63.	3/8" Internal Tooth Washer .....	40843
64.	3/8"-16NC x 5/8" Lg. HHCS Grade 8 .....	40155
65.	3/32" Hog Ring for 1/2" Shaft (8 req'd) .....	FJ671-6
66.	Adapter Pin .....	FJ6179
67.	High Step Adapter .....	FJ6177
68.	Low Step Adapter .....	FJ6178
69.	Actuator Assembly (3Ø Only) .....	N432-5
70.	Rear Outer Arm	
	SPOA10NB .....	N2177-1
	SPOA10 .....	N2173-1
	SPO10 .....	N2174-1
71.	Front Outer Arm	
	SPOA10NB .....	N2175-1
	SPOA10 .....	N2172-1
	SPO10 .....	N2174-1
72.	Rear Inner Arm Assembly (with adapters)	
	SPOA10NB .....	N2174-2
	SPOA10 .....	N2173-2
	SPO10 .....	N2174-2
73.	Front Inner Arm Assembly (with adapters)	
	SPOA10NB .....	N2175-2
	SPOA10 .....	N2172-2
	SPO10 .....	N2174-2
74.	Rear Inner Arm (R/A)	
	SPOA10NB .....	N2180-1
	SPOA10 .....	N2179-1
	SPO10 .....	N2180-1
75.	Front Inner Arm (R/A)	
	SPOA10NB .....	N2181-1
	SPOA10 .....	N2178-1
	SPO10 .....	N2180-1
76.	1/4" Flat Washer .....	40795
77.	Front Shim .....	FJ7659-3

**NOTE: Standard hardware items should be purchased from local hardware source when possible.**

**CAUTION** Care should be taken to use hardware equal to that specified in this listing. (If grade is not specified, use Grade 2 minimum.)



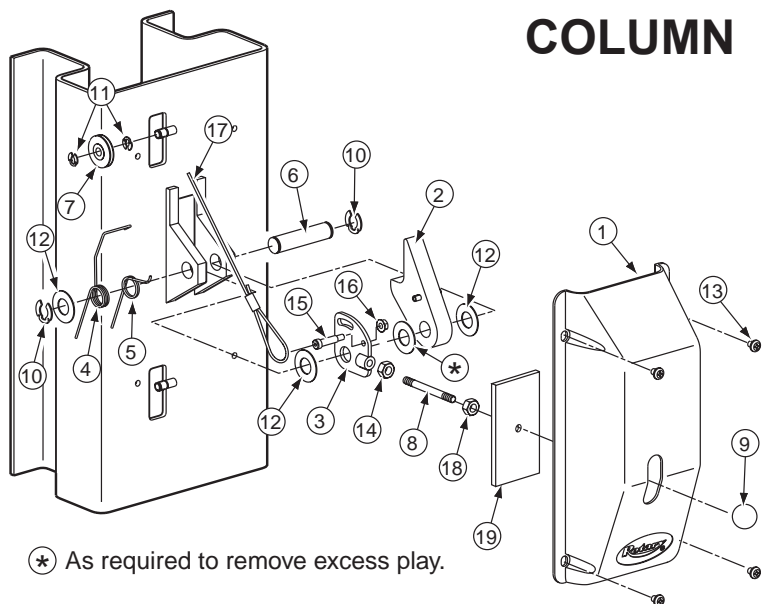
\*Includes items 13, 14, 15, 16, 19, 35, 58, 60, 61



### CYLINDER HOSE ADAPTER DETAIL

ITEM	DESCRIPTION	PART
1	Straight Adapter	FJ7352-3

## RIGHT COLUMN

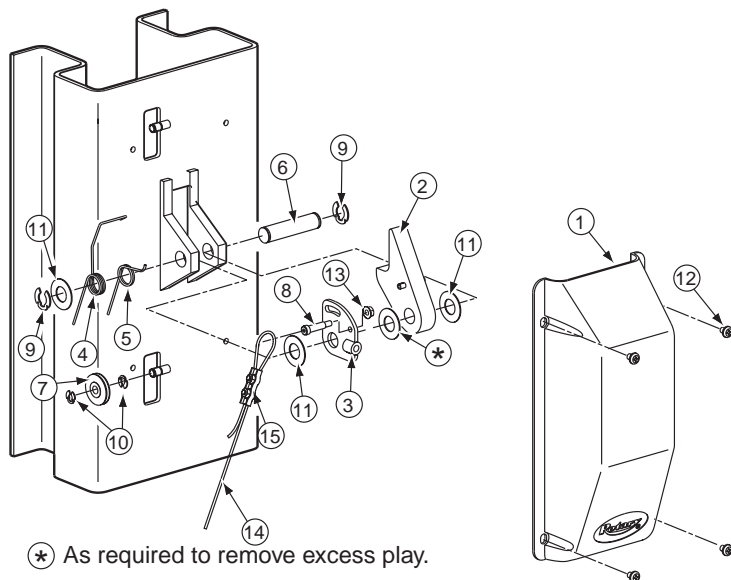


### LOCKING LATCH DETAIL PARTS LIST

ITEM	DESCRIPTION	PART
1	Control Side Cover	FJ7452
2	Locking Latch Dog	N616
3	Control Plate	FJ7594-2
4	Spring	FJ7566-10
5	Spring	FJ7382-9
6	Latch Shaft	FJ7382-34
7	Locking Latch Sheave	FJ7322
8	Handle	FJ7382-18
9	Ball Handle	FC134-91
10	Truarc Klipring #5304-75 for 3/4" Shaft	41411
11	Truarc Klipring #5304-37 for 3/8" Shaft	41410
12	1-1/2" O.D. x 3/4" I.D. x .045" Mach. Bush.	41388
13	5/16"-18NC x 3/8" Lg. PHMS	40227
14	3/8" - 16NC Hex Jam Nut	40658
15	Shoulder Bolt, 5/16"-20 NC x 1-1/4"	40220
16	Flanged Locknut, 1/4" - 20NC	41423
17	Locking Latch Cable	FJ7595-1
	EH-4 for SPO10	FJ7600
18	1/2"-13NC Jam Nut (Spacer)	40700
19	Slot Cover	N617

\* As required to remove excess play.

## LEFT COLUMN



### LOCKING LATCH DETAIL PARTS LIST

ITEM	DESCRIPTION	PART
1	Latch Cover	FJ7451
2	Locking Latch Dog	N616
3	Control Plate	FJ7594-2
4	Spring	FJ7566-10
5	Spring	FJ7382-9
6	Latch Shaft	FJ7382-34
7	Locking Latch Sheave	FJ7322
8	Shoulder Bolt 5/16"-20NC x 1-1/4"	40220
9	Truarc Klipring #5304-75 for 3/4" Shaft	41411
10	Truarc Klipring #5304-37 for 3/8" Shaft	41410
11	1-1/2" O.D. x 3/4" I.D. x .045" Mach. Bush.	41388
12	5/16"-18NC x 3/8" Lg. PHMS	40227
13	Flanged Locknut, 1/4" - 20NC	41423
14	Locking Latch Cable	FJ7595-1
	EH-4 for SPO10	FJ7600
15	Latch Cable Clamp	N63-1

\* As required to remove excess play.

#### Rotary World Headquarters

2700 Lanier Drive  
Madison, IN 47250, USA  
www.rotarylift.com

#### North America Contact Information

Tech. Support: p 800.445.5438  
f 800.578.5438  
e userlink@rotarylift.com  
Sales: p 800.640.5438  
f 800.578.5438  
e userlink@rotarylift.com

#### World Wide Contact Information

World Headquarters/USA: 1.812.273.1622  
Canada: 1.905.812.9920  
European Headquarters/Germany: +49.771.9233.0  
United Kingdom: +44.178.747.7711  
Australasia: +60.3.7660.0285  
Latin America / Caribbean: +54.3488.431.608  
Middle East / Africa: 1.812.273.1622



A DOVER COMPANY

