



SM18

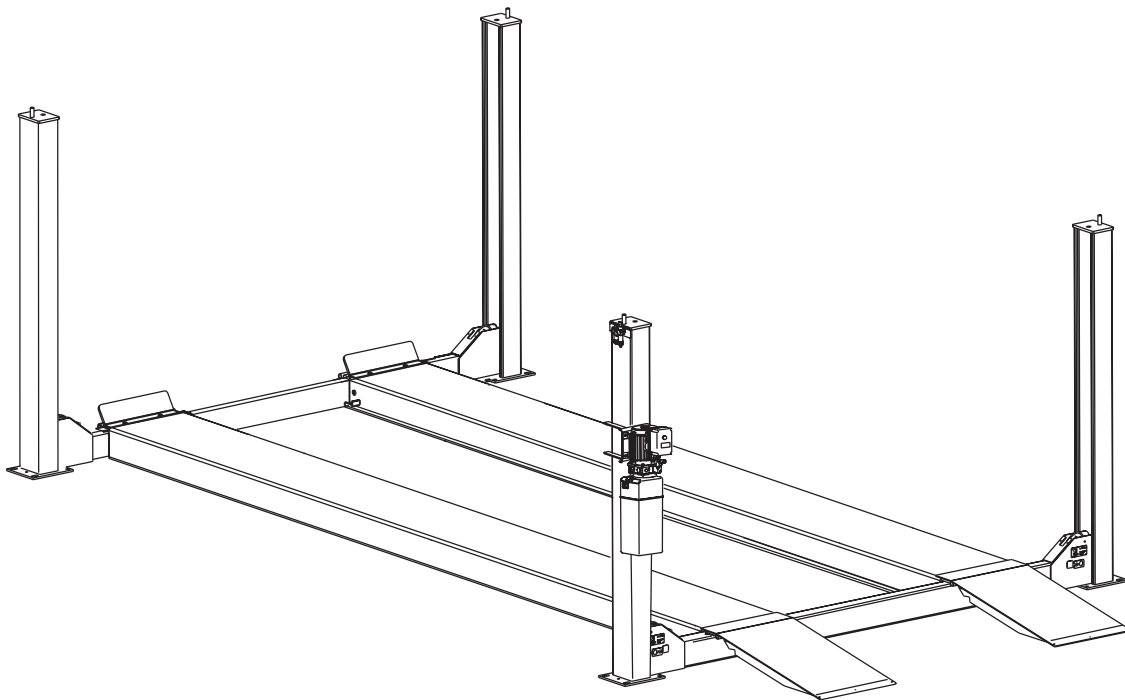
(000-017 Series)

Capacity 18,000 lbs. (9,000 lbs. per axle)

Four Post Surface Mounted Lift

Maximum Wheelbases: 194" & 230"

Minimum Wheelbase: 126"



P
A
R
T
S

B
R
E
A
K
D
O
W
N

IMPORTANT: When ordering parts or requesting service always give exact model and power unit serial number. Model number is shown on nameplate attached to latch release valve. Power unit serial number is located on side of power unit.

OWNERS RECORD
Complete information at right and keep in a safe place.

Date Installed _____

Installed in Bay # _____

Power Unit Serial # _____

Power Unit Model # _____

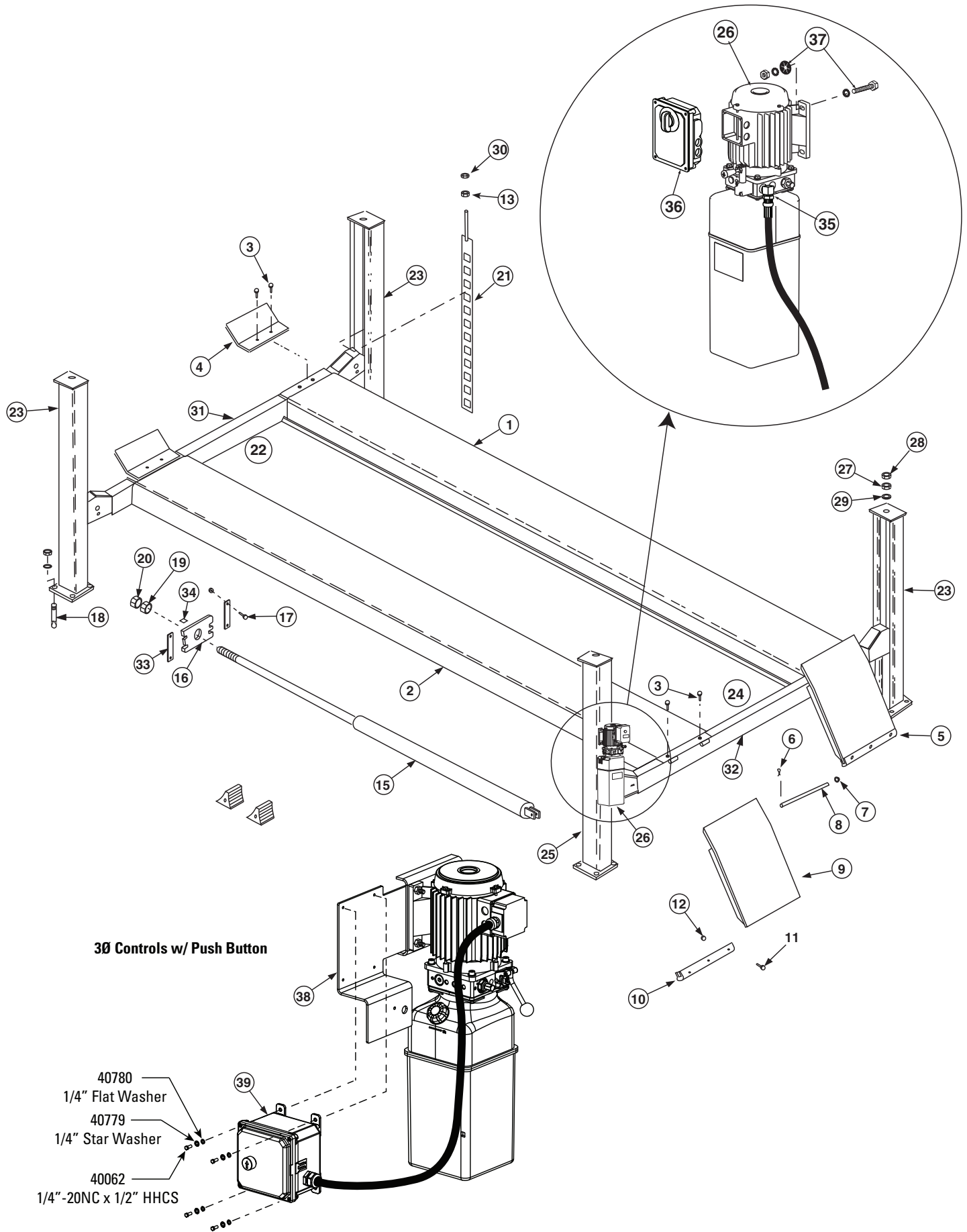
Lift Serial # _____

Lift Model # _____

NOTE: For replacement parts -See your nearest Rotary Parts Distributor.

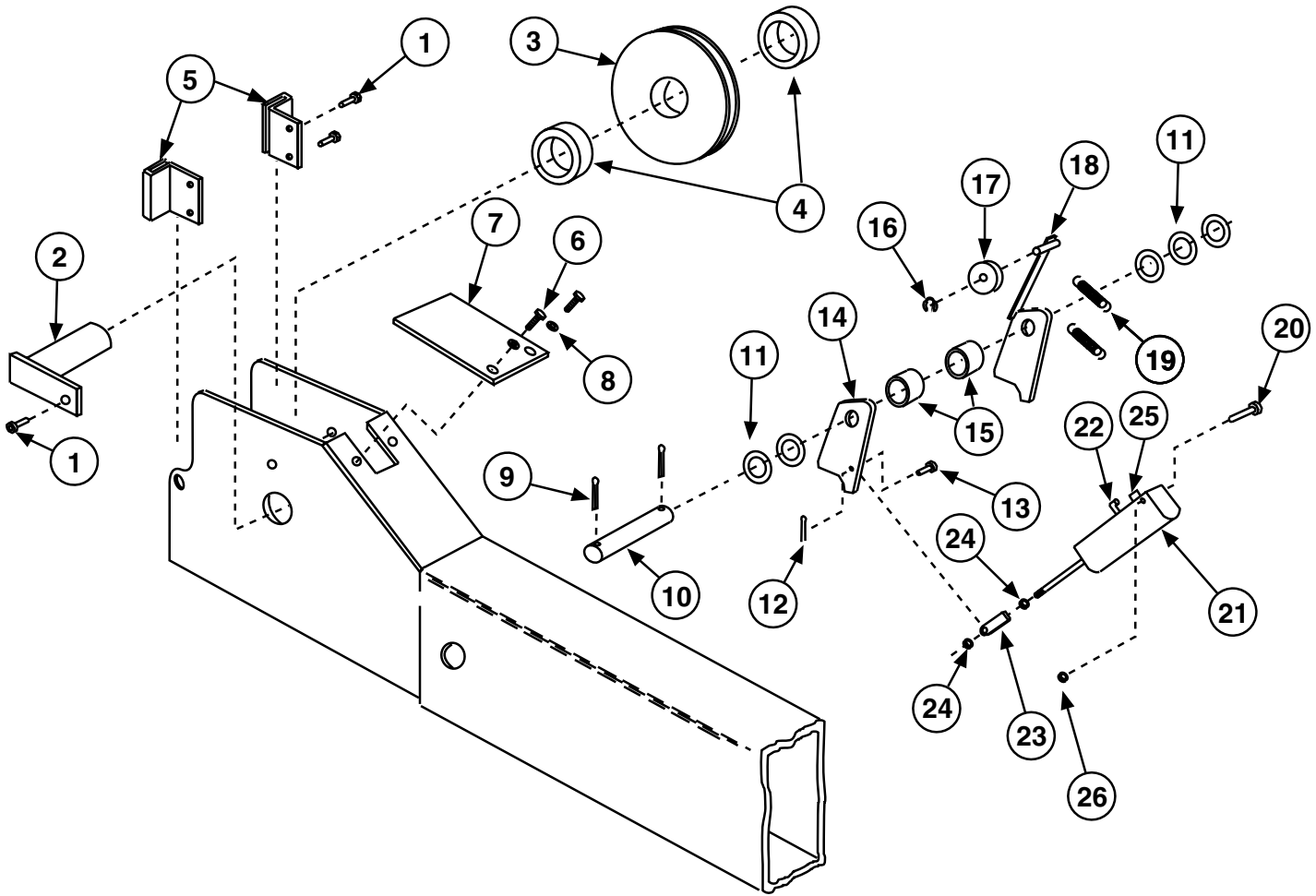


PB2-3-19
Rev. K 03/24/2015



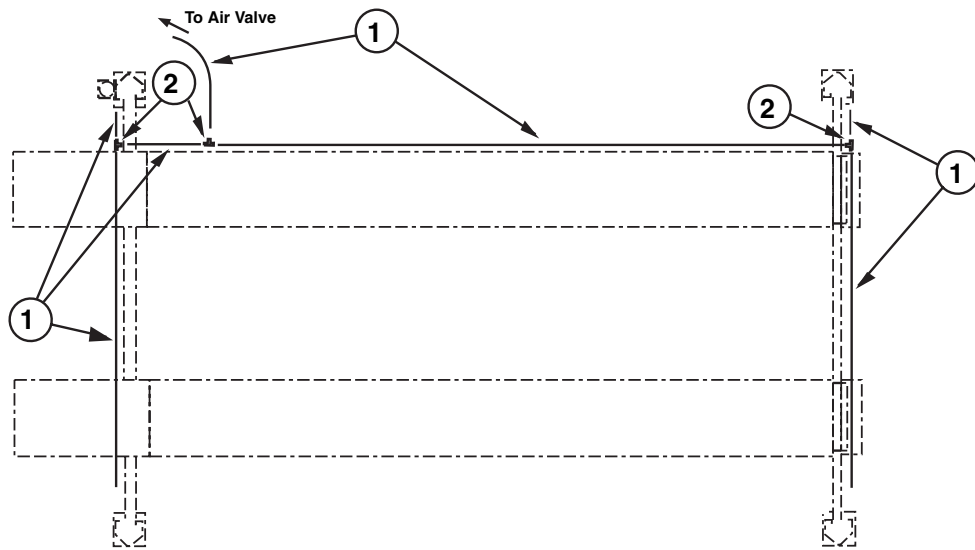
Item	Description.....	Part Number
1	Right Hand Runway Weld	
	000 & 006 Series.....	S110126
	001 & 007 Series.....	S110124
	010 & 016 Series.....	S110126
	011 & 017 Series.....	S110124
2	Left Hand (Fixed) Runway Assembly (Includes cylinder, cables and sheaves)	
	000 & 006 Series.....	S110122
	001 & 007 Series.....	S110121
	010 & 016 Series.....	S110133
	011 & 017 Series.....	S110132
3	1/2"- 13NC x 1-1/2", Flg. Whiz Lock HHCS (High Strength)	40297
4	Wheel Stop	FC5810-19
5	Ramp Chock Assembly	
	Standard Length.....	FC5810-43
	Extended Length	S130085
6	5/32" x 1" Lg. Cotter Pin	41202
7	5/8" Pushnut Fastener	FC5179-4
8	Hinge Pin	FC134-99
9	Ramp Chock	FC5810-45
10	Ramp Chock Slide.....	FC134-33
11	#10-24 PHMS x 3/4" Lg.....	40030
12	#10-24 Hex Nut	40630
13	3/4"-10NC Hex Nut.....	40760
14	Wheel Chock	FC337
15	Hydraulic Cylinder	FC5810-38
16	Cable Pull Bar.....	FC5810-30
17	1/4"-20NC X 2-1/4" HHCS.....	40112
	1/4"-20NC NUT.....	40642
18	5/8" Anchor Bolt.....	FC5228
19	1-1/2"-6NC Hex Nut	40774
20	1-1/2"-6NC Hex Jam Nut	40830
21	Latch Bar	FC5814-11
22	Front Yoke Ass'y (Including Latches).....	FC5786
23	Standard Column.....	FC5814-6
24	Rear Yoke Ass'y (Including Latches)	FC5787
25	Power Unit Column.....	FC5815
26	Power Unit	
	1 Phase	*P1006/P3006
	3 Phase	*P1049/P3460
27	1"-8NC Hex Nut.....	40768
28	1"-8NC Hex Jam Nut	40767
29	1" Flat Washer	41113
30	3/4"-10NC Hex Jam Nut	40759
31	Front Yoke Weld	FC5786-1
32	Rear Yoke Weld.....	FC5787-1
33	Retainer Bar	FC5810-47
34	Glide	FC5160-12
35	Elbow P1028-4	
36	Control Box.....	FA7366
	Capacitor Box.....	FA7147-1
	Capacitor Box Cover Plate.....	FA7366-1
	Drum Switch.....	FA7364
	Drum Switch Lever.....	FA7364-1
	M5 x 45 PHMS, Plated	41672
37	5/16"-18NC x 1-1/2" HHCS Full Thread	40271
	5/16"-18NC Flanged Locknut	40678
	5/16" Pushnut	FC5209
38	3Ø Control Box Mounting Bracket.....	FA9155-1
39	3Ø Control Box w/ Push Button.....	FA9147
	25 Amp Contactor	FA9147-2
	Contactor Coil, 208-240V	FA9147-6
	Contactor Coil, 575V	FA9147-12

*** Two different power units were used. Please verify your exact model number before ordering replacement parts.**

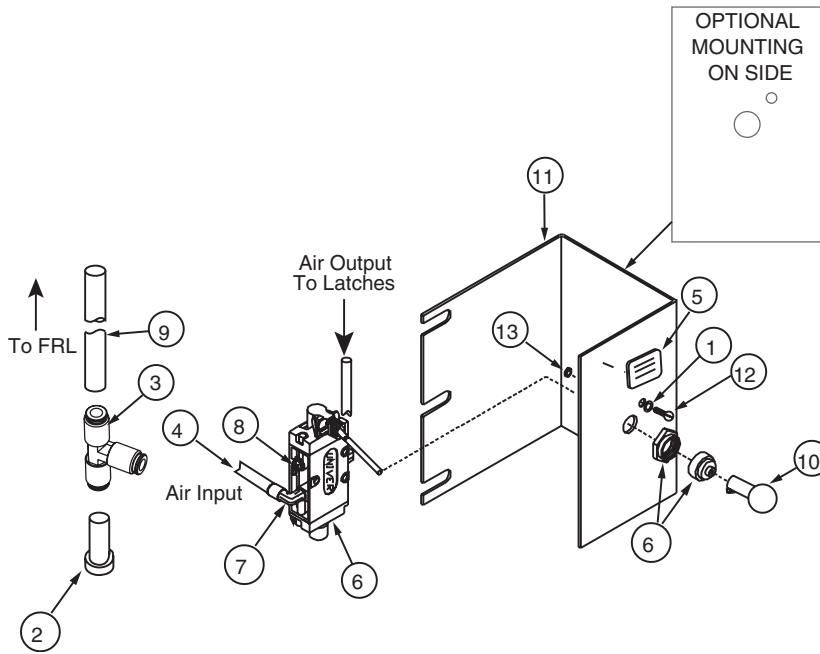


YOKE END DETAIL

ITEM	DESCRIPTION	PART NO.	ITEM	DESCRIPTION	PART NO.
1	5/16"-18NC HHCS x 3/4" Lg.	40232	14	Latch	FC5812-29
2	Sheave Pin Assembly	FC5224-21	15	Spacer	FC5812-28
3	Sheave	FC5810-10	16	3/8" Snap Ring TRUARC #5304-37	41410
4	Yoke Sheave Spacer	FC5927-10	17	Slack Cable Roller	FC553-21
5	Slider	FC5812-10	18	Slack Cable Latch	FC5812-27
6	1/4" 20NC HHTS x 1/2" Lg.	40067	19	Extension Spring	FC522-25
7	Rubber Guard	FC553-10	20	1/4"-20NC x 1-1/2" HHCS	40081
8	1/4" Plain Washer	40780	21	Air Cylinder	FC5708-2
9	Cotter Pin, 1/8" X 1 1/4"	41201	22	Elbow	FC5224-39
10	Latch Shaft	FC5224-17	23	Clevis	FC5706-7
11	Washer	FC5301-98	24	1/4" - 28NF Hex Nut	40622
12	1/4" Hairpin Cotter Pin (.05" dia. wire)	41901	25	1/8" NPT PLUG	FC5708-4
13	Clevis Pin	FA2230-12	26	1/4"-20NC Hex Nylon Insert Locknut	40642

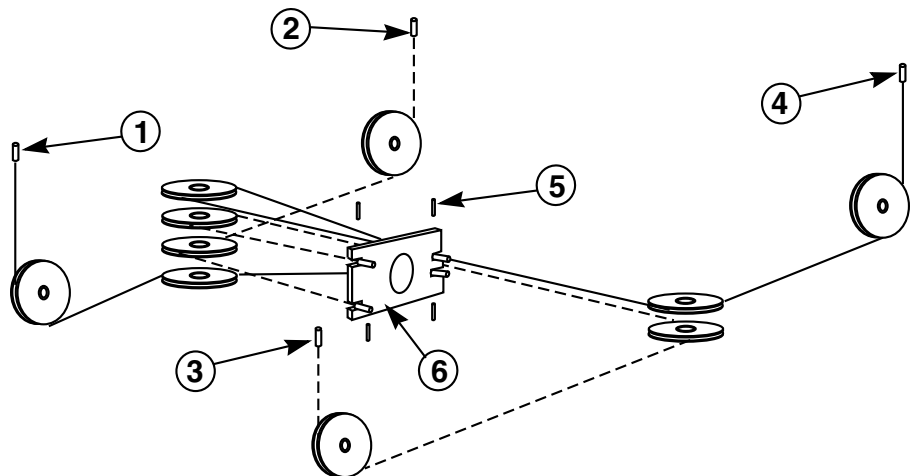


AIRLINE DETAIL		
ITEM NO.	DESCRIPTION	PART NO.
1	Airline Tubing (50' roll)	FA2230-2
2	Union Tee	FC5225-46

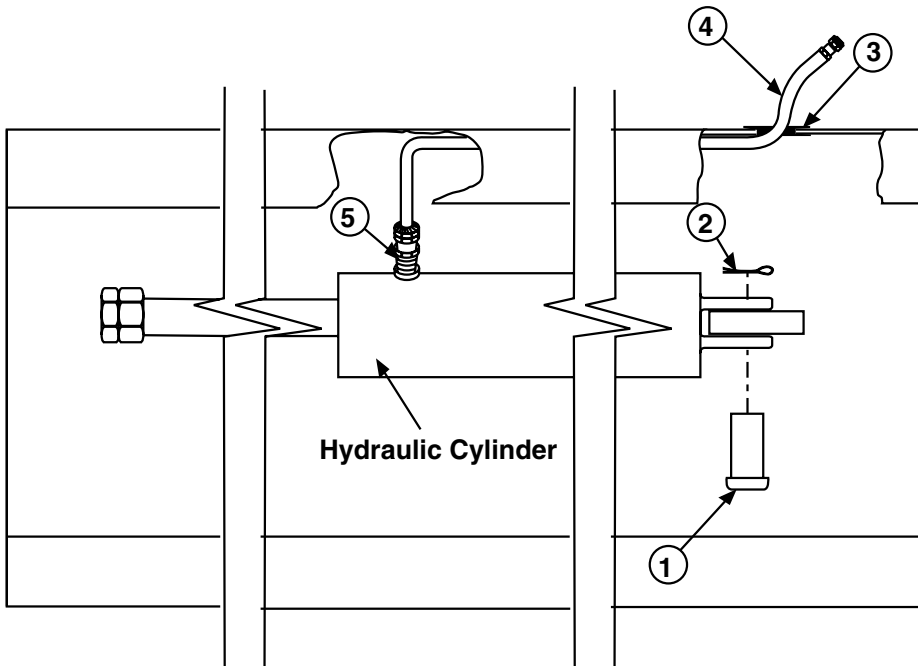
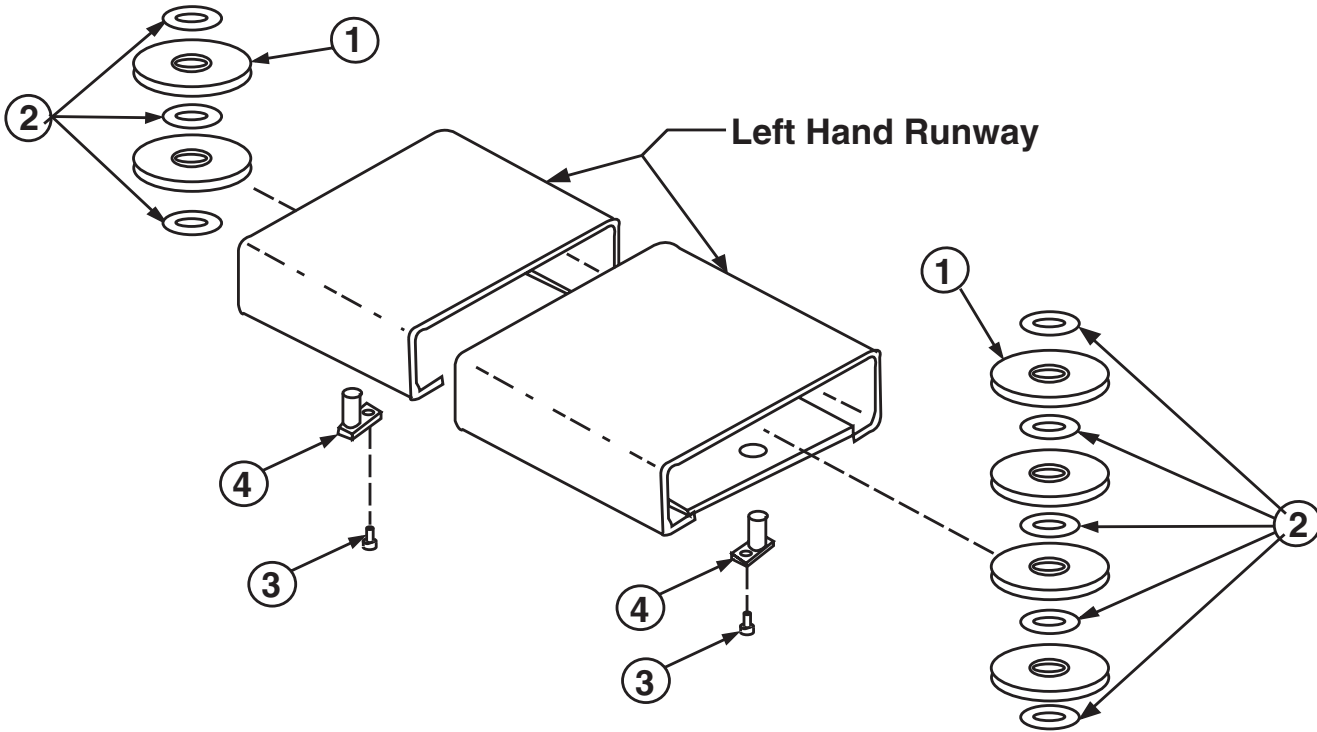


AIR LOCK RELEASE VALVE DETAIL		
ITEM NO.	DESCRIPTION	PART NO.
1	#8 SAE Flat Washer	40788
2	3/8" Plug	FA2230-16
3	Union Tee	FA2242-1
4	1/4" Tubing	FC2230-2
5	Nameplate	NP280
6	Control Ass'y.	T140073
7	Swivel Elbow	T140074
8	Filter / Muffler	T140075
9	3/8" tubing (40ft roll)	FA2230-15
10	Air Lock Handle	T140119
11	Control Bracket	FA3217
12	#8-32NC x 1-1/2" PHMS	40007
13	#8-32NC Nylon Locknut	40649

CABLES		
ITEM	DESCRIPTION	PART NO.
1	Left Front Cable	FC5810-11
2	Right Front Cable	FC5810-12
3	Left Rear Cable	
	000/006/010/016 Series	FC5810-13
	001/007/011/017 Series	FC5816-13
4	Right Rear Cable	
	000/006/010/016 Series	FC5810-14
	001/007/011/017 Series	FC5816-14
5	3/8" x 3-1/4" Roll Pin	14464
6	Cable Pull Bar	FC5810-30

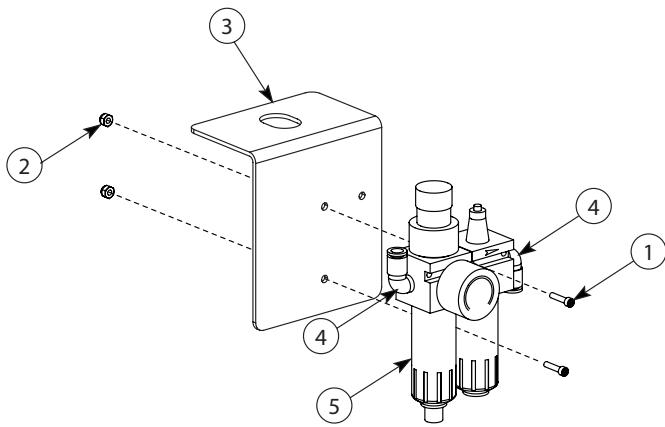


SHEAVE DETAIL		
ITEM NO.	DESCRIPTION	PART NO.
1	Sheave	FC5810-10
2	Bearing	FC5225-17
3	5/16"-18NC x 1/2" lg. HHCS	40401
4	Runway Pin Assembly	FC5810-40

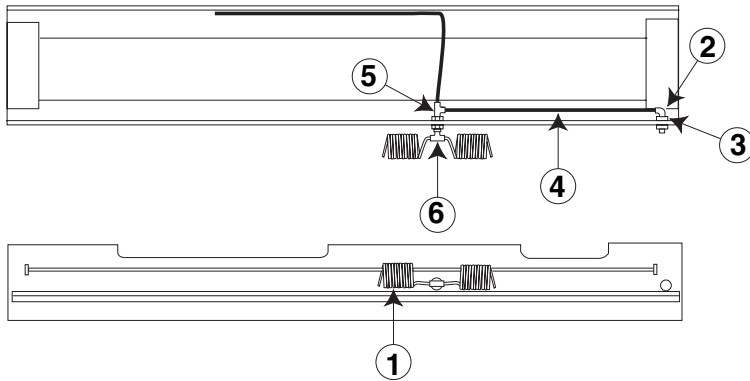


View Beneath Runway

HYDRAULIC HOSE DETAIL		
ITEM	DESCRIPTION	PART NO.
1	Cylinder Pin	FC5810-17
2	3/16" x 3" lg. Cotter Pin	41253
3	Runway Grommet	S130063
4	Hydraulic Hose	
	000/006/010/016 Series	FC5225-16
	001/007/011/017 Series	FC5426-4
5	Elbow	FJ7224

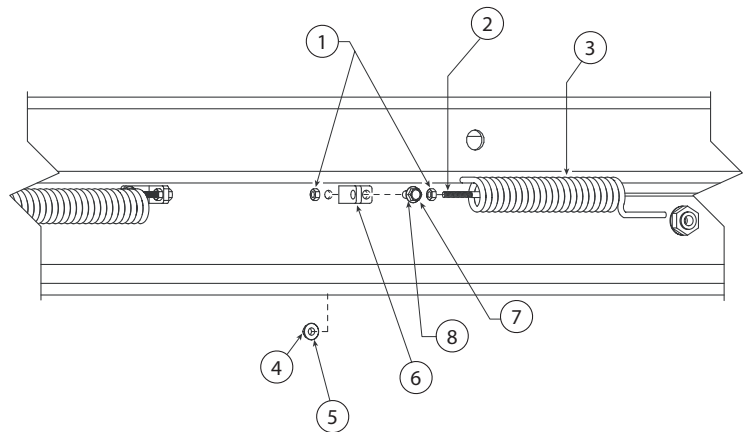


FRL DETAIL		
ITEM NO.	DESCRIPTION	PART NO.
1	#10-24 x 3/4" Hex SHCS	AP00027
2	#10-24 Nylon Lock Nut	40811
3	Adapter Bracket	S120674
4	Elbow	FC147-7
5	Filter/Regulator/Lubricator	S130080



INTERNAL AIRLINE PARTS		
ITEM NO.	DESCRIPTION	PART NO.
1	Recoil Hose	FC147-14
2	Male Elbow	FC147-7
3	Female Bulkhead	FC147-1
4	Runway Tubing	FC147-6
5	Tubing	FC5313-2
6	Male Run Tee	FC147-3
7	Male Branch Tee	FC147-5

Retainer Cable Detail		
ITEM NO.	DESCRIPTION	PART NO.
1	1/4" x 20NC Hex Nut	40625
2	Airline Retainer Cable (182"/206")	S130078
	Airline Retainer Cable (158")	XS130063
3	Recoil Hose	-
4	3/8" Nut	40660
5	3/8" Lockwasher	40845
6	Retainer Bracket	FC147-9
7	3/8"-16NC x 3/4" Lg. HHCS	40130
8	3/8" Flat Washer	40820



Rotary World Headquarters

2700 Lanier Drive
Madison, IN 47250, USA
www.rotarylif.com

North America Contact Information

Tech. Support: p 800.445.5438
f 800.578.5438
e userlink@rotarylif.com
Sales: p 800.640.5438
f 800.578.5438
e userlink@rotarylif.com

World Wide Contact Information

World Headquarters/USA: 1.812.273.1622
Canada: 1.905.812.9920
European Headquarters/Germany: +49.771.9233.0
United Kingdom: +44.178.747.7711
Australasia: +60.3.7660.0285
Latin America / Caribbean: +54.3488.431.608
Middle East / Northern Africa: +49.771.9233.0

© Rotary®, Printed in U.S.A., All Rights Reserved. Unless otherwise indicated, ROTARY, DOVER and all other trademarks are property of Dover Corporation and its affiliates.



A **DOVER** COMPANY

