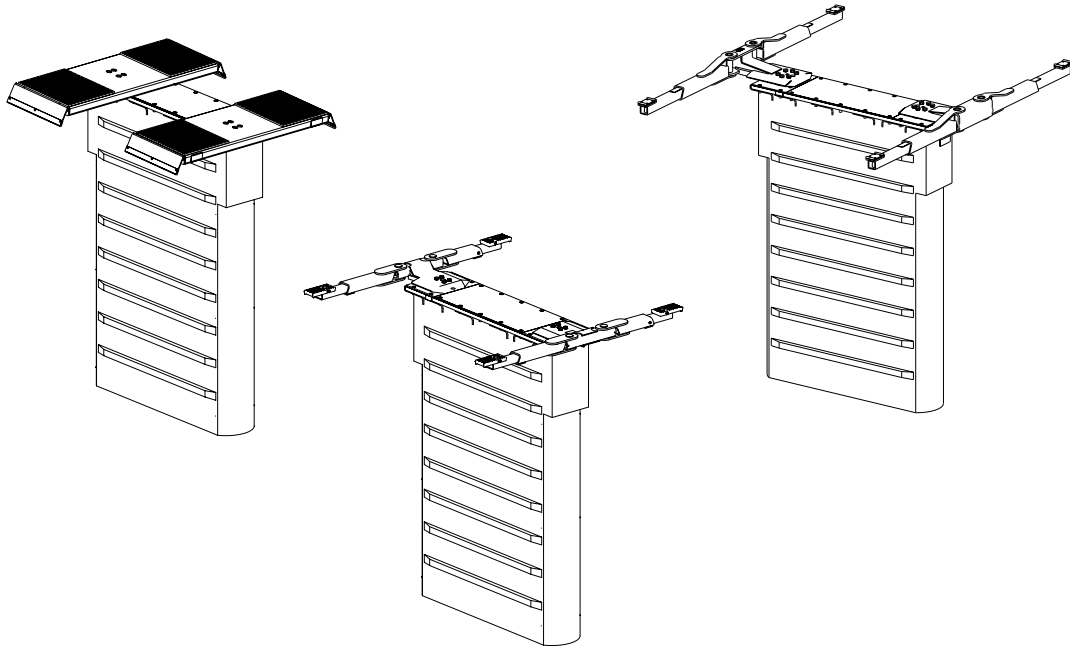




P  
A  
R  
T  
S  
  
B  
R  
E  
A  
K  
D  
O  
W  
N

# SL210i/SL212i (600 Series)

SL210i Fixed Pad Capacity 9,000 lbs. and 10,000 lbs.  
SL210i Capacity 10,000 lbs.  
SL212i Capacity 12,000 lbs.



**IMPORTANT:** When ordering parts or requesting service always give exact model and power unit serial number. Model number is shown on nameplate attached to air lock release valve. Power unit serial number is located on side of power unit.

**OWNERS RECORD**  
Complete information at right and keep in a safe place.

Date Installed \_\_\_\_\_  
 Installed in Bay # \_\_\_\_\_  
 Power Unit Serial # \_\_\_\_\_  
 Power Unit Model # \_\_\_\_\_  
 Lift Serial # \_\_\_\_\_  
 Lift Model # \_\_\_\_\_

**NOTE: For replacement parts -See your nearest Rotary Parts Distributor.**



**PB5-312-2**  
Rev. F 04/25/2007

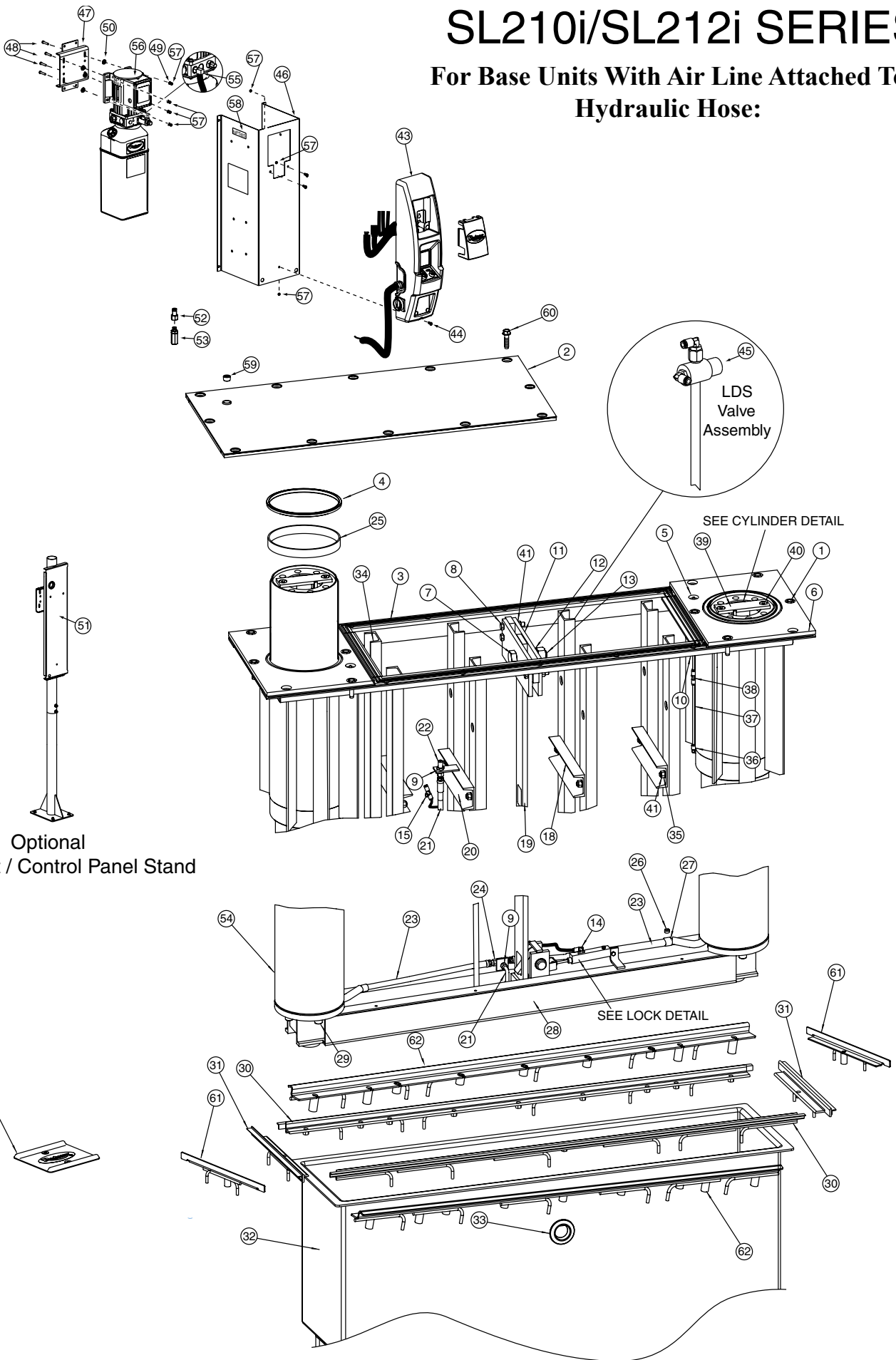
## For Base Units With Air Line Attached To Hydraulic Hose:

1	1/2"-13NC x 2" Self Tap Screw, Plated.....	40268	51	Stand Assembly .....	T110165
2	Cover Plate.....	T120209	52	1/4" Push-In 1/4" NPT Female Fitting .....	T140081
3	One Piece Gasket.....	T140163	53	Filter.....	FA3134-12
4	Wiper Seal.....	T140118	54	Plunger.....	T120161
5	Zerk Fitting L#5000 1/8" Pipe.....	T140007	55	Elbow .....	FJ7224
6	Guide Barrel Assembly.....	T110175	56	<b>SL210i Power Unit (Standard &amp; 10,000 lbs. Fixed Pad)</b>	
7	1-1/8"-7NC x 3" HHCS, Gr. 5, Plated.....	40606		1Ø 60 Hz. Power Unit.....	*P1180/P3180
8	1/2"-13NC x 2-3/4" HHCS, Gr. 5.....	40341		3Ø .....	*P1465/P3465
9	9/16" Internal Tooth Lockwasher, Plated .....	40998		3Ø (575V).....	*P1466/P3466
10	Male Connector for Nylon Tube.....	FC5225-47		<b>SL210i Power Unit (9,000 lbs. Fixed Pads)</b>	
11	Latch Bar Plate .....	T130342		1Ø 60 Hz. Power Unit.....	*P1362/P3362
12	1-1/8" Int. Tooth Lockwasher, Plated .....	40608		3Ø .....	*P1467/P3467
13	1-1/8"-7NC Hex Nut, Plated.....	40607		3Ø (575V).....	*P1468/P3468
14	1/4" NPT x 1/4" Push Fit Swivel Elbow .....	FC5341-90		<b>SL212i Power Unit (Standard)</b>	
15	Union Tee.....	FC5225-46		1Ø 60 Hz. Power Unit.....	*P1184/P3484
16	Number Not Used.....	----	57	5/16"-18NC Hex Nut.....	40670
17	Number Not Used.....	----	58	Multiple Power Source Label .....	NP585
18	Tie Channel.....	T130345	59	1 CSK Pipe Plug .....	12011
19	Latch Bar .....	T130341	60	1/2"-13NC x 1-1/2" HHCS, Grade 5 .....	40302
20	Hose Bracket Assembly .....	T120158	61	End Anchoring Frame Weldment.....	T120285
21	Vertical Hose.....	T140170	62	Side Anchoring Frame Weldment.....	T120286
22	Bulkhead Adapter .....	T140132			
23	Plunger Hose.....	T140169			
24	SS Bulkhead Union Tee .....	T140134			
25	Bearing.....	T140148			
26	5/16"-18NC Flanged Whizlock Nut .....	40678			
27	Hose Clip .....	FJ7499			
28	Equalizer.....	T110176			
29	5/8" Helical Spring Lockwasher, Plated.....	40961			
	5/8"-11NC x 2-1/2" Hex SHCS.....	40343			
30	Anchor Frame Side .....	T120198			
31	Anchor Frame End.....	T120197			
32	Containment (with Uniseal hole drilled) .....	T140202			
33	2" Uniseal .....	T140023			
34	Frame Weldment.....	T120266			
35	1/2"-13NC x 1" HHCS, Gr. 5 .....	40261			
36	Guide Barrel Fitting Kit.....	T100147			
37	1/4" Nylon Tube (26" long).....	T140213			
38	Union Tee.....	FC5225-46			
39	Lift Bar Weldment .....	T120214			
40	1/2"-13NC x 1-1/4" Countersunk SHCS.....	40337			
41	1/2"-13NC Hex Flanged Whizlock Nut.....	40704			
42	Wheel Spotting Dish Kit.....	FF729			
43	Master Control Panel				
	1Ø .....	FA7410			
	3Ø .....	FA7411			
	3Ø (575V).....	FA7416			
44	5/16"-18NC x 3/4 HHCS.....	40224			
45	LDS Valve Assembly Replacement Kit .....	T100142			
46	Power Unit Cover .....	T130309			
47	Power Unit Wall Bracket .....	T120020			
48	5/16"-18NC x 1-1/2" HHCS Zinc Plated .....	40271			
49	5/16" Ext. Tooth Lock Washer Plated.....	40854			
50	5/16" Push Nut.....	FC5209			

\* Two different power units were used. Please verify your exact model number before ordering replacement parts.

# SL210i/SL212i SERIES

For Base Units With Air Line Attached To Hydraulic Hose:



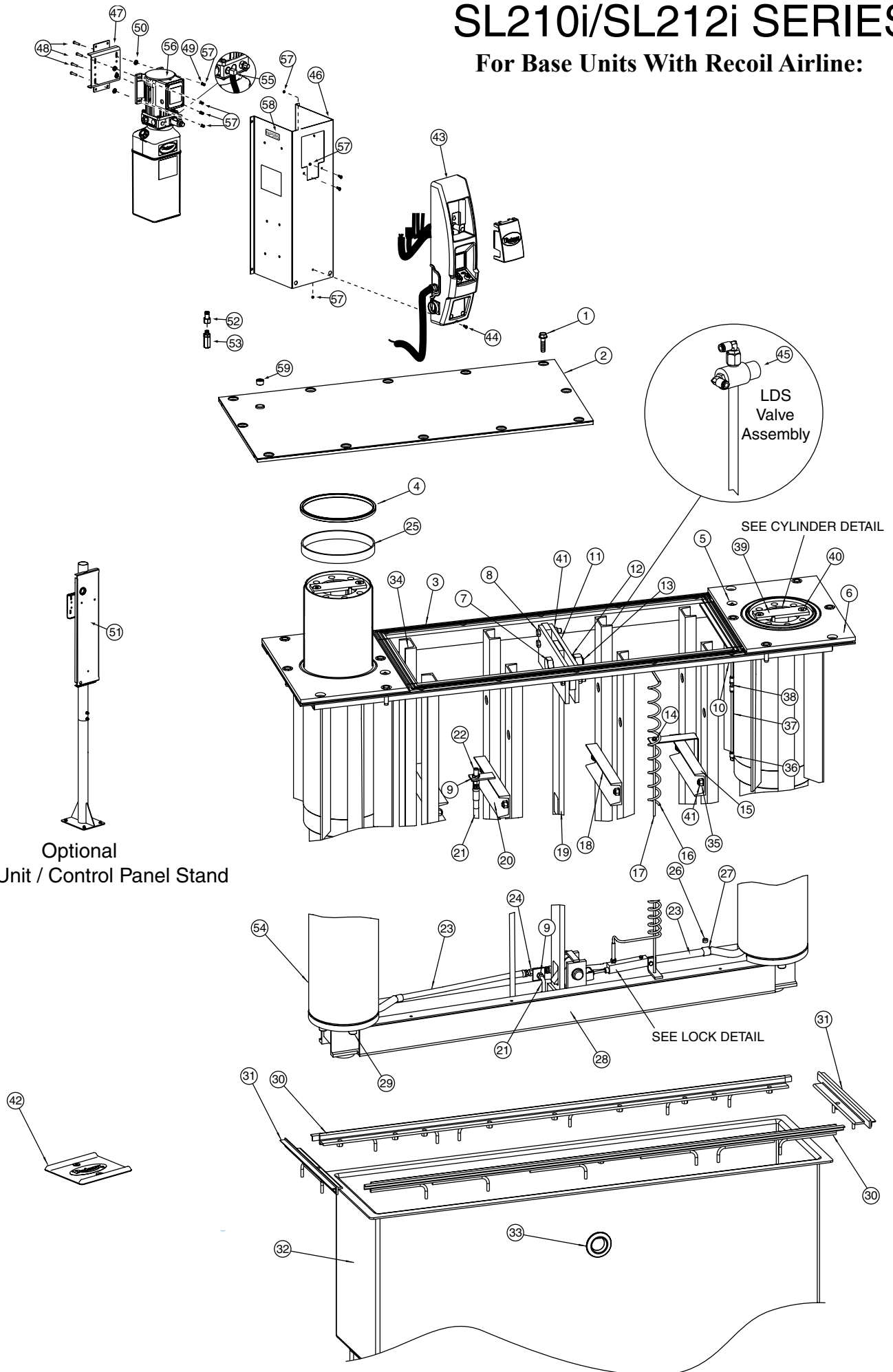
Optional  
Power Unit / Control Panel Stand

## For Base Units With Recoil Airline:

1	1/2"-13NC x 2" Self Tap Screw, Plated.....	40268	51	Stand Assembly .....	T110165
2	Cover Plate.....	T120209	52	1/4" Push-In 1/4" NPT Female Fitting .....	T140081
3	One Piece Gasket.....	T140163	53	Filter.....	FA3134-12
4	Wiper Seal.....	T140118	54	Plunger.....	T120161
5	Zerk Fitting L#5000 1/8" Pipe.....	T140007	55	Elbow .....	FJ7224
6	Guide Barrel Assembly.....	T110175	56	<b>SL210i Power Unit (Standard)</b>	
7	1-1/8"-7NC x 3" HHCS, Gr. 5, Plated.....	40606		1Ø 60 Hz. Power Unit.....	P1180
8	1/2"-13NC x 2-3/4" HHCS, Gr. 5.....	40341		3Ø .....	P1465
9	9/16" Internal Tooth Lockwasher, Plated .....	40998		3Ø (575V).....	P1466
10	Male Connector for Nylon Tube.....	FC5225-47		<b>SL210i Power Unit (Fixed Pads)</b>	
11	Latch Bar Plate .....	T130342		1Ø 60 Hz. Power Unit.....	P1362
12	1-1/8" Int. Tooth Lockwasher, Plated .....	40608		3Ø .....	P1467
13	1-1/8"-7NC Hex Nut, Plated.....	40607		3Ø (575V).....	P1468
14	1/4"-20NC Hex Jam Nut .....	40640		<b>SL212i Power Unit (Standard)</b>	
15	Conduit Bracket Assembly .....	T120157		1Ø 60 Hz. Power Unit.....	P1184
16	Air Coil Hose .....	T140096	57	5/16"-18NC Hex Nut.....	40670
17	Air Coil Hose Rod .....	T130260	58	Multiple Power Source Label .....	NP585
18	Tie Channel.....	T130345	59	1 CSK Pipe Plug .....	12011
19	Latch Bar .....	T130341			
20	Hose Bracket Assembly .....	T120158			
21	Vertical Hose.....	T140170			
22	Bulkhead Adapter .....	T140132			
23	Plunger Hose.....	T140169			
24	SS Bulkhead Union Tee.....	T140134			
25	Bearing.....	T140148			
26	5/16"-18NC Flanged Whizlock Nut .....	40678			
27	Hose Clip .....	FJ7499			
28	Equalizer .....	T120226			
29	5/8" Helical Spring Lockwasher, Plated.....	40961			
	5/8"-11NC x 2-1/2" Hex SHCS.....	40343			
30	Anchor Frame Side.....	T120198			
31	Anchor Frame End.....	T120197			
32	Containment (with Uniseal hole drilled) .....	T140202			
33	2" Uniseal .....	T140023			
34	Frame Weldment.....	T120266			
35	1/2"-13NC x 1" HHCS, Gr. 5 .....	40261			
36	Guide Barrel Fitting Kit.....	T100147			
37	1/4" Nylon Tube (11-1/2" long) .....	T130191			
38	Union Tee.....	FC5225-46			
39	Lift Bar Weldment .....	T120214			
40	1/2"-13NC x 1-1/4" Countersunk SHCS.....	40337			
41	1/2"-13NC Hex Flanged Whizlock Nut.....	40704			
42	Wheel Spotting Dish Kit.....	FF729			
43	Master Control Panel				
	1Ø .....	FA7410			
	3Ø .....	FA7411			
	3Ø (575V).....	FA7416			
44	5/16"-18NC x 3/4 HHCS.....	40224			
45	LDS Valve Assembly Replacement Kit .....	T100142			
46	Power Unit Cover .....	T130309			
47	Power Unit Wall Bracket .....	T120020			
48	5/16"-18NC x 1-1/2" HHCS Zinc Plated .....	40271			
49	5/16" Ext. Tooth Lock Washer Plated.....	40854			
50	5/16" Push Nut.....	FC5209			

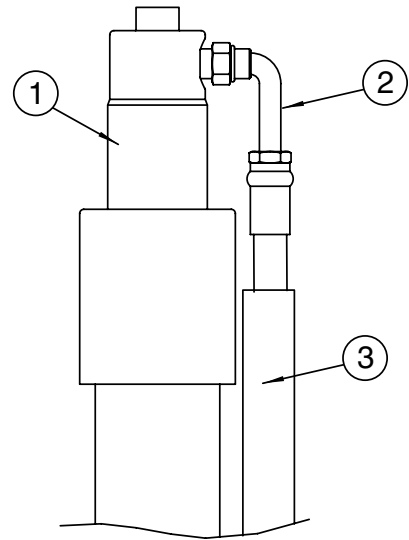
# SL210i/SL212i SERIES

For Base Units With Recoil Airline:



## CYLINDER DETAIL

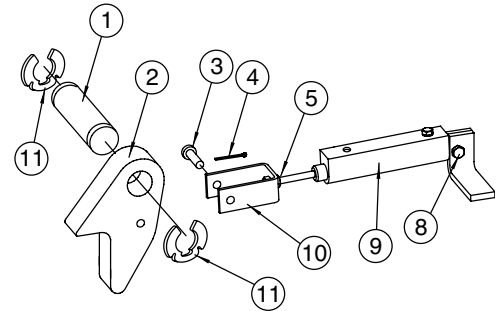
ITEM#	DESCRIPTION	PART#	QTY.
1	Hydraulic Cylinder .....	N367	2
2	Plunger Hose .....	T140169	2
3	Hose Support Tube .....	T140166	2



## LOCK DETAIL

**For Base Units With Air Line Attached To Hydraulic Hose:**

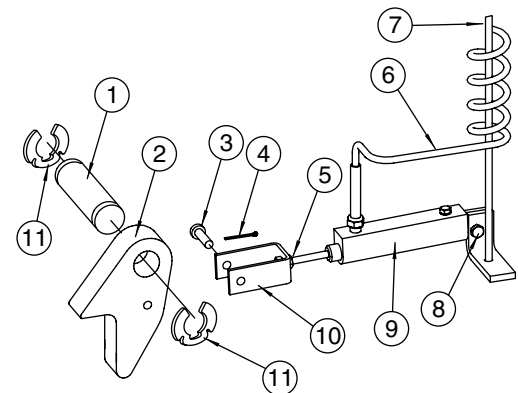
ITEM#	DESCRIPTION	PART#	QTY.
1	Latch Shaft .....	T130350	1
2	Locking Latch .....	T130348	1
3	Latch Clevis Pin, Plated .....	T140135	1
4	3/32" x 3/4" Lg. Cotter Pin .....	41168	1
5	1/4"-28NF Nylon Insert Locknut, Plated....	40611	2
6	Number Not Used .....	----	
7	Number Not Used .....	----	
8	1/4"-20NC x 1-1/4" HHCS, Grade 2 .....	40115	1
	1/4"-20NC Hex Nylon Insert Locknut .....	40642	1
9	Air Cylinder .....	T140062	1
10	Clevis .....	T130349	1
11	Retaining Ring TRUARC #5304-125.....	41417	2



## LOCK DETAIL

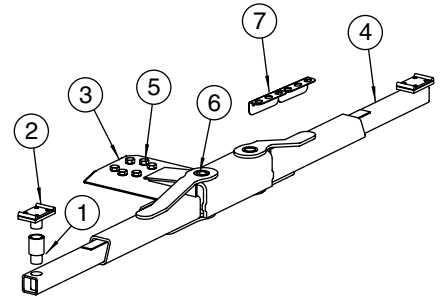
**For Base Units With Recoil Airline:**

ITEM#	DESCRIPTION	PART#	QTY.
1	Latch Shaft .....	T130350	1
2	Locking Latch .....	T130348	1
3	Latch Clevis Pin, Plated .....	T140135	1
4	3/32" x 3/4" Lg. Cotter Pin .....	41168	1
5	1/4"-28NF Nylon Insert Locknut, Plated....	40611	2
6	Air Coil Hose .....	T140096	1
7	Air Coil Hose Rod .....	T130260	1
8	1/4"-20NC x 1-1/4" HHCS, Grade 2 .....	40115	1
	1/4"-20NC Hex Nylon Insert Locknut .....	40642	1
9	Air Cylinder .....	T140062	1
10	Clevis .....	T130349	1
11	Retaining Ring TRUARC #5304-125.....	41417	2

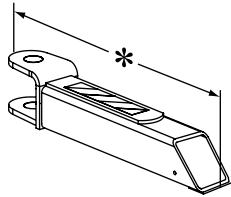


# SL212i ARM DETAIL

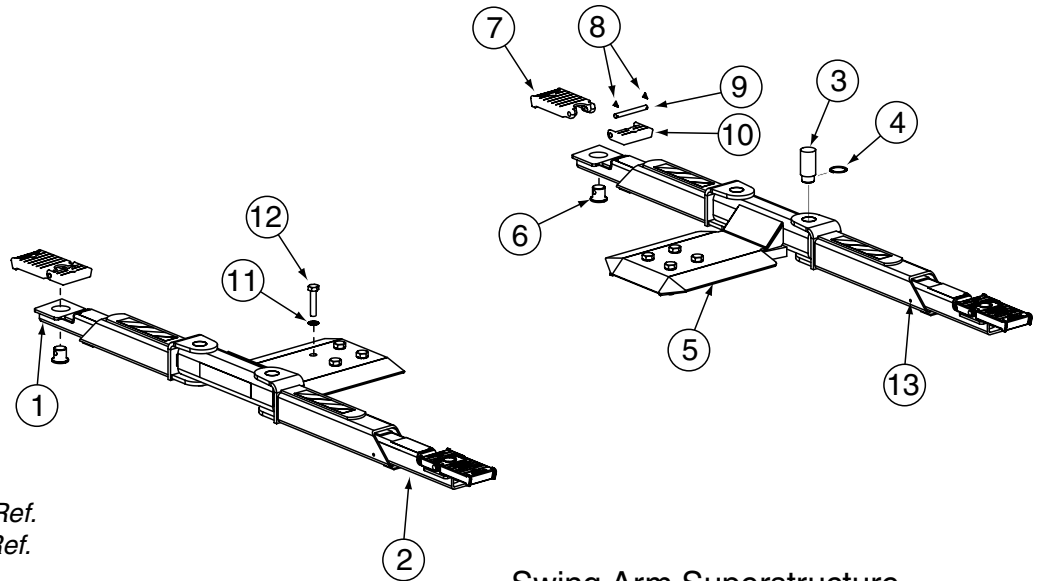
ITEM#	DESCRIPTION	PART#	QTY.
1	4" Extension .....	FJ6143	4
	8" Extension .....	FJ6144	2
2	Adapter Assembly .....	FJ6158	4
3	Yoke Weldment .....	T120152	2
4	Swing Arm.....	T110116	4
5	7/8"-9NC x 3-1/2" HHCS, Grd 5, Plated ....	40498	12
	7/8" External Tooth Lockwasher, Plated ....	41072	12
6	Arm Pin .....	T120153	4
	3/16" x 3" Cotter Pin .....	41253	4
7	Extension Rack .....	FJ6145	2



# SL210i ARM DETAIL



\* Short Arm distance = 23-7/8" Ref.  
 \* Long Arm distance = 28-1/8" Ref.

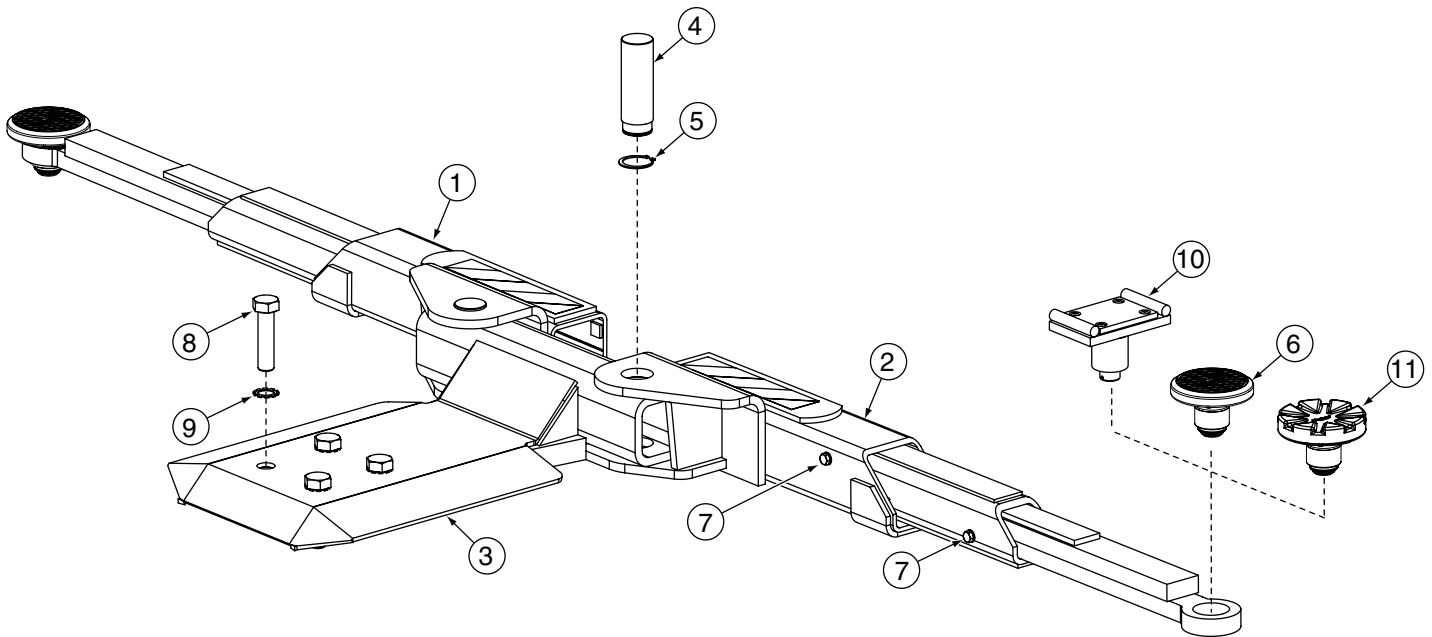


Swing Arm Superstructure

ITEM	DESCRIPTION	PART #
1	*Short Arm Assembly (Rubber Pad Adapters).....	T110372
	*Short Arm Assembly Assembly (Flip-Up Adapters) .....	T110371
	*Extra Short Arm Assembly (Rubber Pad Adapters) .....	T110374
	*Extra Short Arm Assembly (Flip-Up Adapters).....	T110373
2	*Long Arm Assembly (Rubber Pad Adapters) .....	T110370
	*Long Arm Assembly (Flip-Up Adapters).....	T110369
3	Arm Pin.....	T130451
4	Arm Pin Retaining Ring .....	T140168
5	Yoke .....	T120221
6	Adapter Swivel Pin.....	FJ79-6
7	High Step Adapter .....	FJ6177
8	3/32" Hog Ring for 1/2" Shaft .....	FJ671-6
9	Adapter Pin.....	FJ6179
10	Low Step Adapter .....	FJ6178
11	7/8" External Tooth Lockwasher, Plated.....	41072
12	7/8"-9NC x 3-1/2" HHCS, Grd 5, Plated.....	40498
13	3/8"-16NC x 5/8" HHCS Grade 8 Plated .....	40155
	3/8" Internal Tooth Lockwasher .....	40843

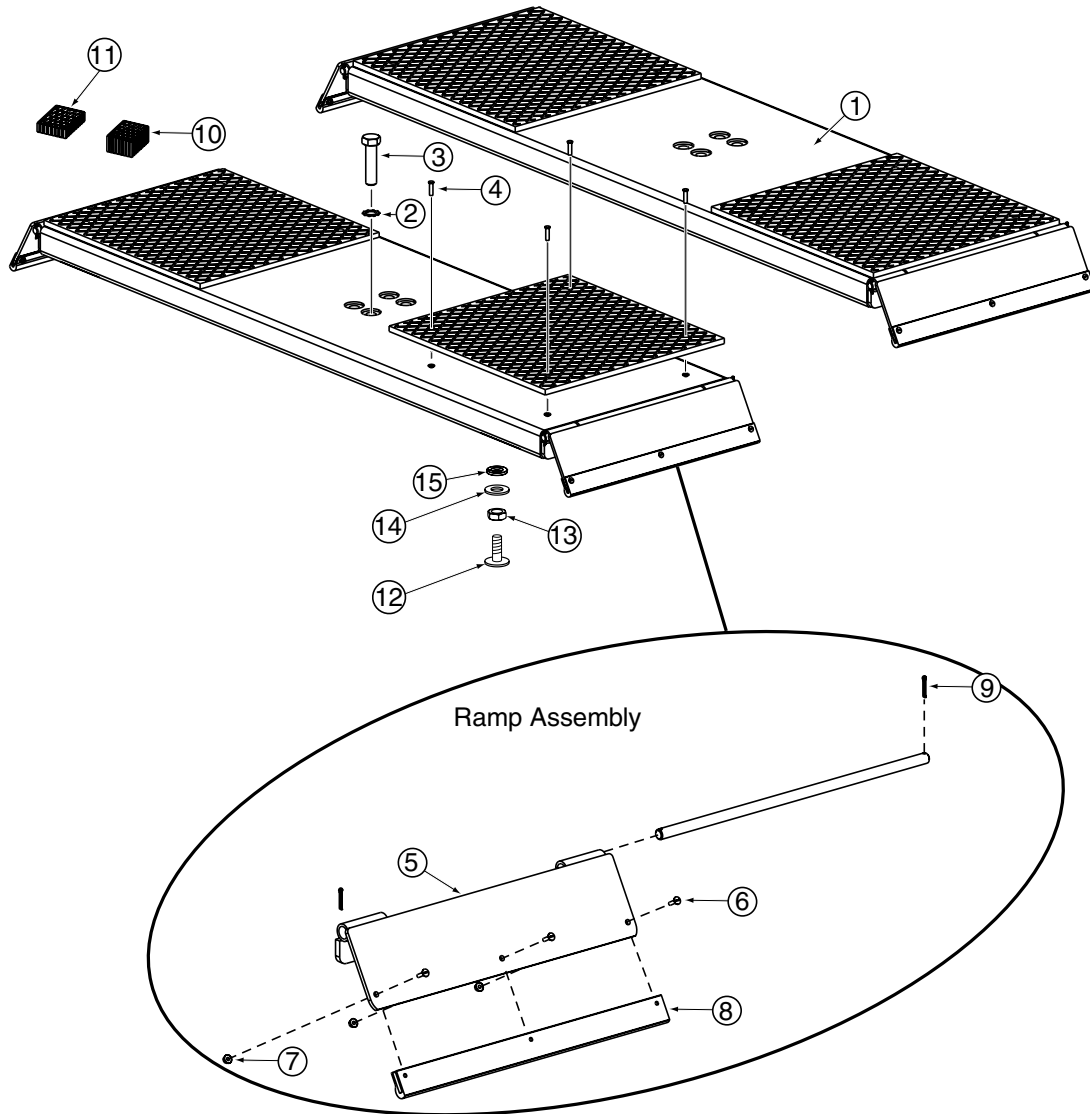


# SL210i 3-STAGE ARM DETAIL



ITEM#	DESCRIPTION	PART#	QTY.
1	R. H. 3-Stage Arm .....	T110320	2
2	L. H. 3-Stage Arm.....	T110319	2
3	Yoke (without Stop Bar).....	T120256	2
4	Arm Pin .....	T130451	4
5	Arm Pin Retaining Ring.....	T140168	4
6	3-Stage Adapter Assembly (Low Profile) .....	FJ6202	4
7	3/8"-16NC x 5/8" HHCS, Gr. 8, Plated.....	40155	8
	3/8" Internal Tooth Lockwasher .....	40843	8
8	7/8"-9NC x 3-1/2" HHCS, Gr. 5, Plated .....	40498	8
9	7/8" External Tooth Lockwasher, Plated .....	41072	8
10	Truck Adapter (Optional, Sold Separately).....	FJ6182	4
11	3-Stage Adapter Assembly .....	FJ6191	4

# SL210i FIXED PAD SUPERSTRUCTURE DETAIL



ITEM#	DESCRIPTION	PART#	QTY.
1	Fixed Pad Assembly.....	T110323	2
2	7/8" External Tooth Lockwasher, Plated ....	41072	8
3	7/8"-9NC x 3-1/2" HHCS, Grd 5, Plated ....	40498	8
4	1/4" x .475 Blind Rivet .....	40174	16
5	Ramp Weldment.....	N2135	2
6	#10-24NC x 3/4" SLTRUSSHMS Plated....	40050	12
7	#10-24NC FI Whizlock Nut Plated.....	40633	12
8	20" Chock Slide .....	FC134-33	4
9	5/32" x 1" Cotter Pin .....	41202	8
10	3" Rubber Adapter Pad .....	FJ2428	8
11	1-1/2" Rubber Adapter Pad .....	FJ2427	4
12	Adjustment Screw .....	FJ7465-15	4
13	3/8"-16NC Hex Jam Nut, Plated.....	40658	4
14	3/8" USS Flat Washer, Plated .....	40820	4
15	3/8" Helical Spring Lockwasher, Plated.....	40498	4

# NOTES

DATE	REV.	CHANGE MADE
03-21-05	-	New 600 Series.
07-12-05	A	Remove air supply fittings, tool holder and input power junction box strain relief. Add new low profile adapter. New containment implementation and side sheet removal.
01-06-06	B	Updated air line detail
08-31-06	C	Updated power unit part numbers and added bar code.
01-08-07	D	Updated Frame detail and corrected Fixed Pad Detail error.
02-07-07	E	Updated hardware part number - Item 60.

**Rotary World Headquarters**

2700 Lanier Drive  
 Madison, IN 47250, USA  
[www.rotarylif.com](http://www.rotarylif.com)

**North America Contact Information**

Tech. Support: p 800.445.5438  
 f 800.578.5438  
 e [userlink@rotarylif.com](mailto:userlink@rotarylif.com)  
 Sales: p 800.640.5438  
 f 800.578.5438  
 e [userlink@rotarylif.com](mailto:userlink@rotarylif.com)

**World Wide Contact Information**

World Headquarters/USA: 1.812.273.1622  
 Canada: 1.905.812.9920  
 European Headquarters/Germany: +49.771.9233.0  
 United Kingdom: +44.178.747.7711  
 Australasia: +60.3.7660.0285  
 Latin America / Caribbean: +54.3488.431.608  
 Middle East / Northern Africa: +49.771.9233.0



A DOVER COMPANY

