



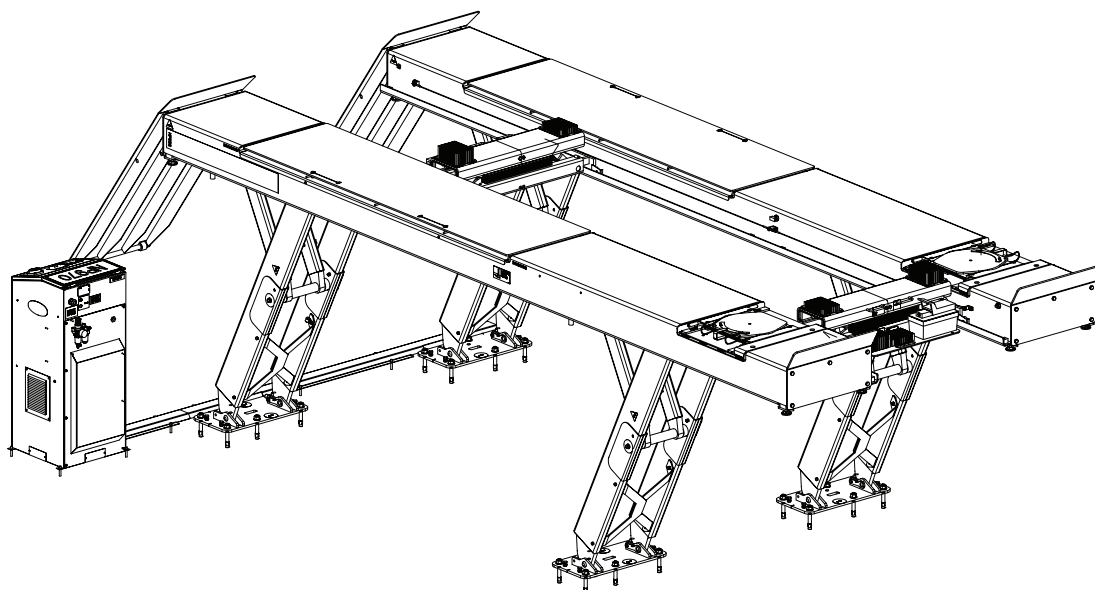
YA12

SURFACE AND FLUSH MOUNTED LIFT

(1000 SERIES)

12000 lb. Capacity

(6000 lbs. per axle)



P
A
R
T
S

B
R
E
A
K
D
O
W
N

IMPORTANT: When ordering parts or requesting service always give exact model and power unit serial number. Model number is shown on nameplate attached to air lock release valve. Power unit serial number is located on side of power unit.

OWNERS RECORD
Complete information at right and keep in a safe place.

Date Installed _____

Installed in Bay # _____

Power Unit Serial # _____

Power Unit Model # _____

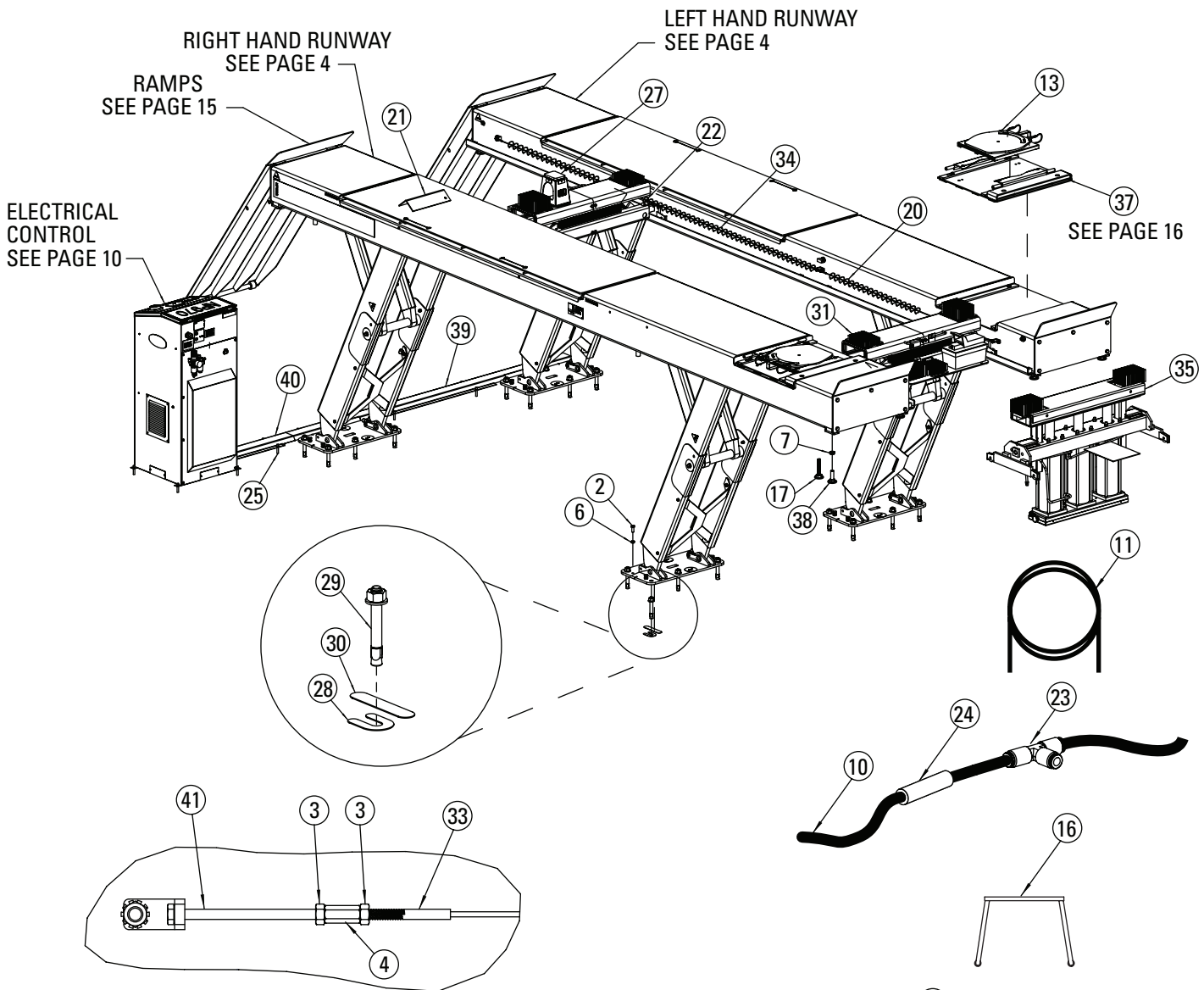
Lift Serial # _____

Lift Model # _____

NOTE: For replacement parts -See your nearest Rotary Parts Distributor.

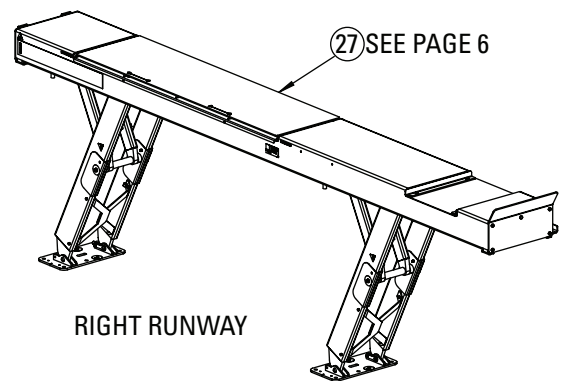
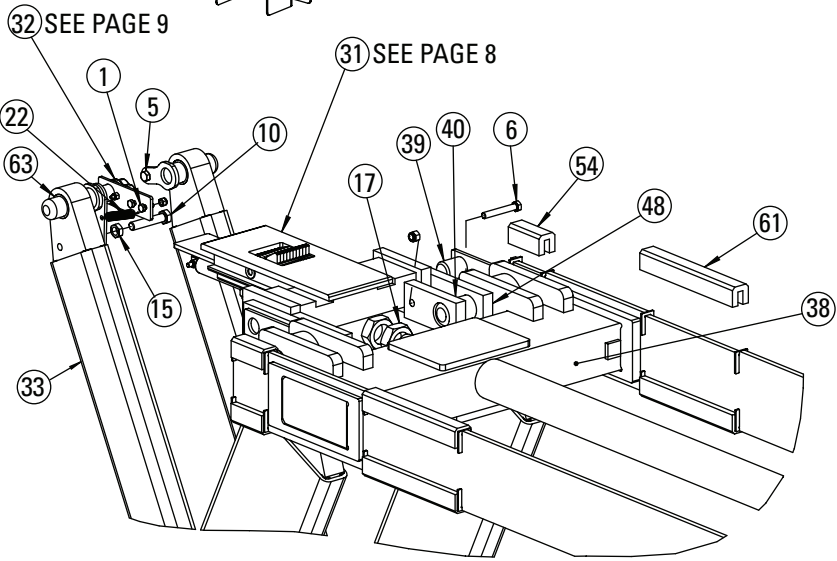
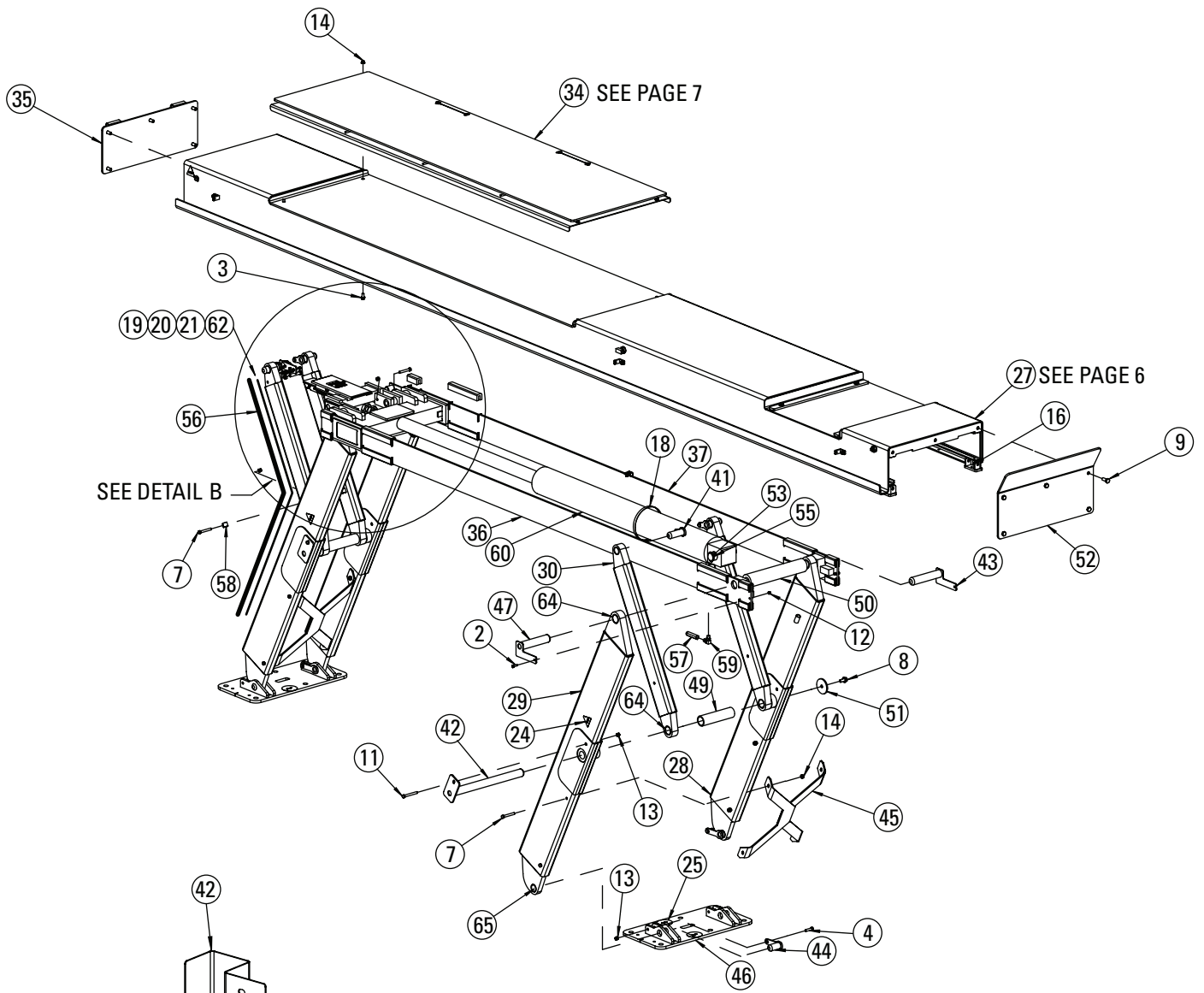
PB2-33-8
Rev. - 12/2/2011



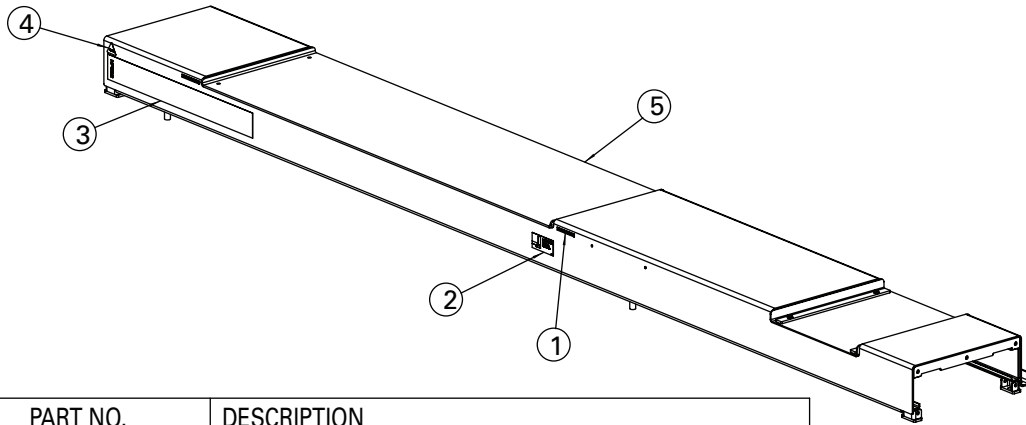


AIRLINE BRACKET
L RUNWAY LENGTH VERSION

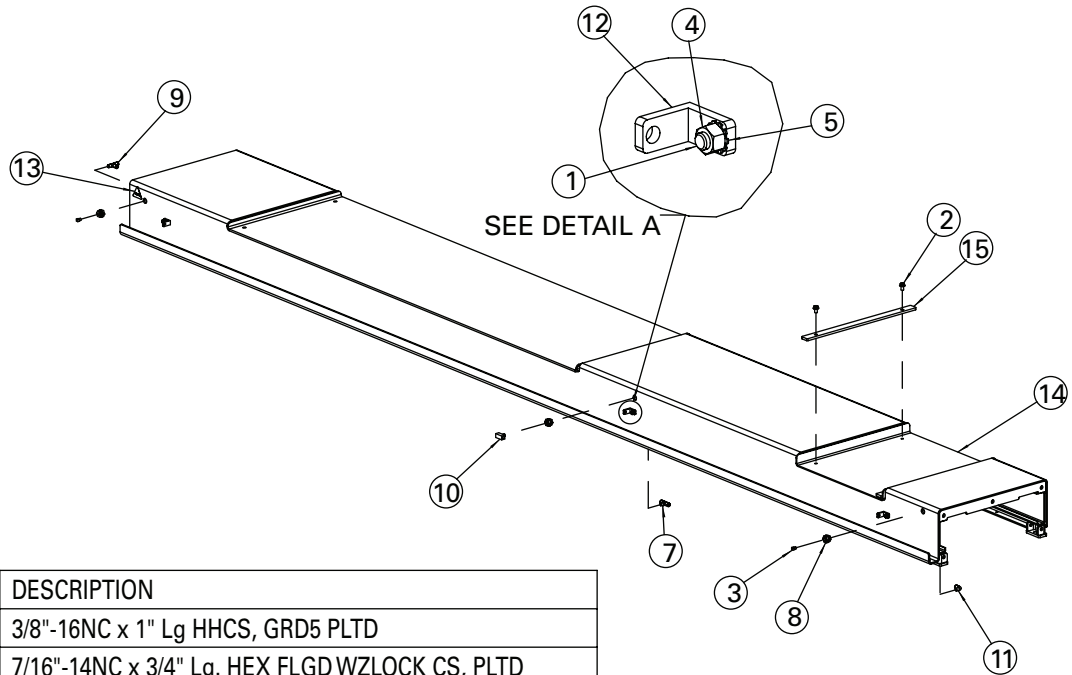
ITEM	PART NO.	DESCRIPTION
1	40115	1/4"-20NC x 1-1/4" Lg HHCS, GRD5
2	40280	1/2"-13NC x 1-1/4" Lg HHCS, GRD5
3	40625	1/4"-20NC HEX NUT, PLTD
4	40626	1/4 x 7/8 COUPLING NUT
5	40641	1/4"-20NC HEX FLGD WZLOCK NUT, PLTD
6	40700	1/2"-13NC HEX JAM NUT
7	40759	3/4"-10NC HEX JAM NUT, PLTD
8	40811	#10-24NC HEX NYLON INSERT LOCKNUT
9	AP00027	#10-24NC x 3/4" Lg. HEX SHCS
10	FA2230-2	TUBE 1/4" X 60' #PPB-43
11	FA2230-15	3/8 PARAFLEX HOSE-40' LG
12	NA	NA
13	FA5157	CARBON STEEL RADIUS GAUGE
	S130205	STAINLESS STEEL RADIUS GAUGE
14	FA7188-10	3/4" NPT LOCKNUT
15	FA7189-9	3/4" NPT STRAIN RELIEF
16	FC134-17	PORTABLE WORK STEP
17	FC134-36	ADJUSTMENT SCREW ASSEMBLY (LONG)
18	FC147-7	MALE ELBOW
19	FC147-8	MALE CONNECTOR
20	FC147-14	RECOIL HOSE, 1/4"
21	FC320	WHEEL CHOCK
22	FC5185-71	TUBING ASSEMBLY
23	FC5225-46	UNION TEE
24	FC5225-98	1/4" UNION
25	FC5388-98	3/8" CONCRETE ANCHOR
26	FC7112	RUBBER STOP
27	FJ6205	7" PAD LIFT ADAPTER ASSEMBLY
28	FJ716-6	NOTCHED SHIM
29	FJ7380	3/4" X 5-1/2" CONCRETE ANCHOR
30	FJ7659-3	FRONT SHIM
31	RJ7000	7# ROLLING JACK FOR SM/SMO/AR/AR014
32	S130080	FILTER-REGULATOR-LUBRICATOR
33	S130159	AIRLINE RETAINER CABLE (EL1 VERSION)
	S130078	AIRLINE RETAINER CABLE (L VERSION)
34	S130160	RECOIL HOSE, 1/4" 15' LENGTH (EL1 VERSION)
	FC147-14	RECOIL HOSE, 1/4" (L VERSION)
35	SJ6000	6000 LB SWING AIR JACK
36	XS130063	AIRLINE RETAINER CABLE
37	Z100005	14" x 14" x 1-1/2" TURN-TABLE INSERT KIT (SEE PAGE 16)
38	Z110021	ADJUSTMENT SCREW ASSEMBLY (SHORT)
39	Z130159	BASEPLATE HOSE COVER
40	Z130160	HOSE COVER
41	40118	1/4"-20NC x 4" HHCS
42	Z130188	POSITION SENSOR GUARD



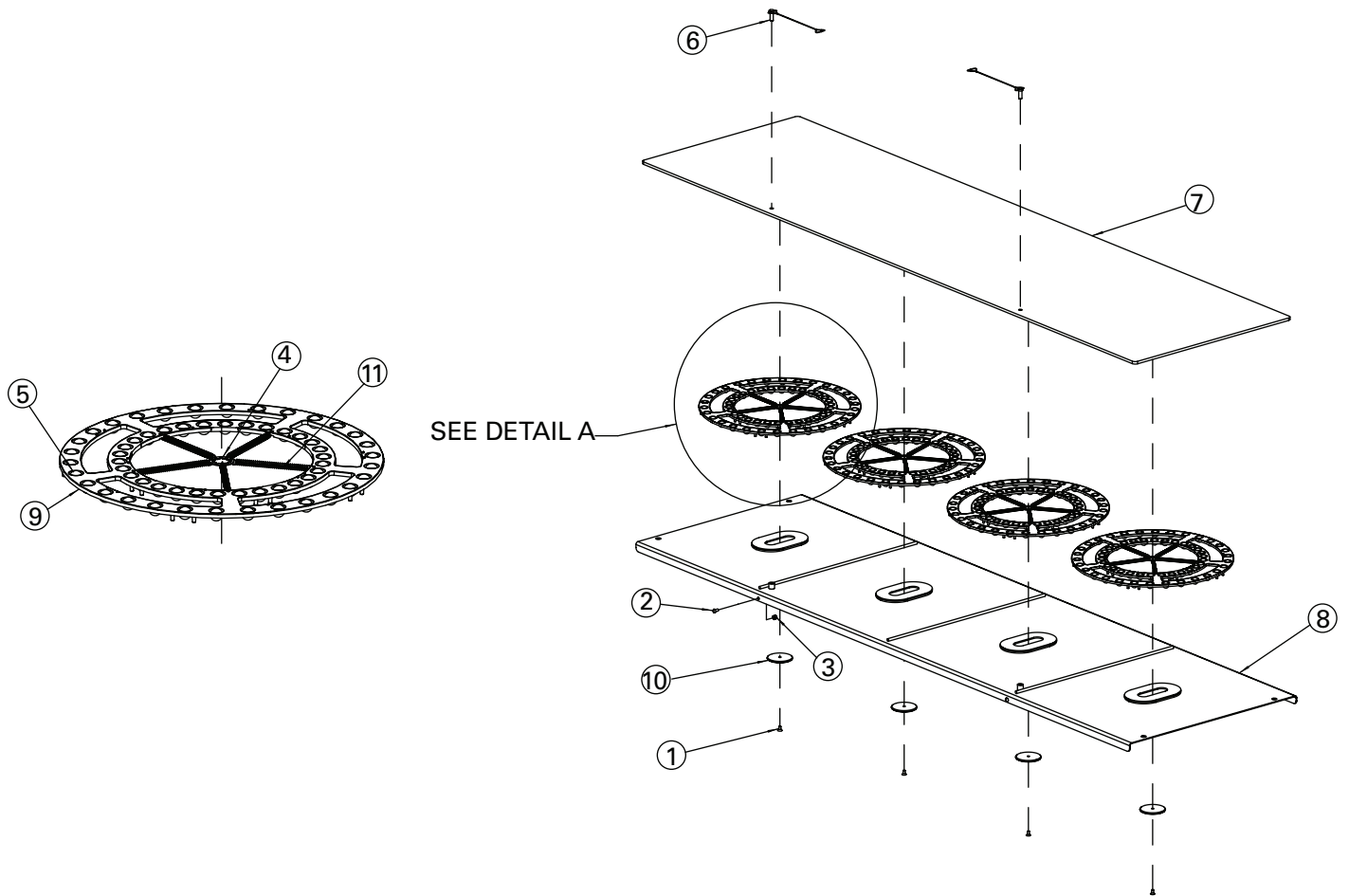
ITEM	PART NO.	DESCRIPTION
1	40104	1/4"-20NC x 3/4" Lg HHCS, GRD5 PLTD
2	40108	1/4"-20NC x 1" Lg HHCS, GRD5 PLTD
3	40124	3/8"-16NC x 3/4" Lg. HEX FLGD WZLOCK CS, PLTD
4	40201	3/8"-16NC x 1-1/2" Lg HHCS, GRD5 PLTD
5	40204	3/8"-16NC x 1-3/4" Lg HHCS, GRD8
6	40205	3/8"-16NC x 2-1/2" Lg HHCS, GRD5
7	40210	3/8"-16NC x 2-3/4" Lg HHCS, GRD5
8	40262	1/2"-13NC x 1" Lg. HEX FLGD WZLOCK CS, PLTD
9	40286	1/2"-13NC x 1-1/4" Lg HHCS, GRD5 PLTD
10	40728	1/2"-13NC x 3" Lg HHCS, GRD5
11	40393	3/8"-16NC x 3-1/4" Lg HHCS, GRD5 PLTD
12	40642	1/4"-20NC HEX NYLON INSERT LOCKNUT
13	40657	3/8"-16NC HEX NYLON INSERT LOCKNUT
14	40664	3/8"-16NC HEX FLGD WZLOCK NUT, PLTD
15	40700	1/2"-13NC HEX JAM NUT
16	40707	1/2"-13NC HEX NYLON INSERT LOCKNUT
17	41104	1-1/4"-7NC HEX JAM NUT
18	991082	5/16" WIDE x 21" LONG BLACK WIRE TIE
19	AP00192	3/8 SPIRAL WRAP
20	FA2230-2	TUBE 1/4" X 60' #PPB-43
21	FA2230-15	3/8 PARAFLEX HOSE-40' LG
22	FC522-25	SPRING
23	NP765	LABEL C1 (NOT SHOWN)
	NP766	LABEL C2 (NOT SHOWN)
24	NP945	KEEP CLEAR OF PINCH POINTS WARNING NAMEPLATE
25	NP946	DO NOT USE ANCHOR HOLE WARNING NAMEPLATE
26	NP954	INTRINSICALLY SAFE NAMEPLATE (NOT SHOWN)
27	Z110003	LEFT RUNWAY ASSEMBLY (EL1 VERSION) (SEE PAGE 6)
	Z110032	LEFT RUNWAY ASSEMBLY (L VERSION) (SEE PAGE 6)
	Z110004	RIGHT RUNWAY ASSEMBLY (EL1 VERSION) (SEE PAGE 6)
	Z110033	RIGHT RUNWAY ASSEMBLY (L VERSION) (SEE PAGE 6)
28	Z110007	LEFT LEG ASSEMBLY
29	Z110008	RIGHT LEG ASSEMBLY
30	Z110011	LIFT ARM ASSEMBLY
31	Z110012	LOCK CARRIAGE ASSEMBLY (SEE PAGE 8)
32	Z110024	POSITION SENSOR ASSEMBLY (SEE PAGE 9)
33	Z110025	ARM ASSY - SENSOR
34	Z110027	REAR SLIP PLATE ASSEMBLY (SEE PAGE 7)
35	Z120003	RUNWAY ENDPLATE WELD
36	Z120017	RIGHT SLIDE BEAM WELD
37	Z120018	LEFT SLIDE BEAM WELD
38	Z120019	HYD CYLINDER ROD MOUNT WELD
39	Z120021	LOCK DRAG LINK PIN WELD
40	Z120022	LOCK SLIDER PIN WELD
41	Z120023	UPPER PIN WELD
42	Z120024	CENTER PIN WELD
43	Z120025	LEFT FRONT UPPER PIN WELD
44	Z120026	LOWER PIN WELD
45	Z120048	LEG REINFORCEMENT WELD
46	Z120049	BASEPLATE WELD
47	Z120050	RIGHT FRONT UPPER PIN WELD
48	Z130037	LOCK DRAG LINK
49	Z130052	CENTER PIN SPACER TUBE
50	Z130054	FRONT UPPER PIN SPACER TUBE
51	Z130064	LEG SUPPORT PLATE
52	Z120079	FRONT WHEEL STOP
53	Z130128	HYD CYLINDER PIN
54	Z140005	SLIDERS
55	Z140008	HYD CYLINDER PIN RETAINER
56	Z140016	HYDRAULIC HOSE
57	Z140023	VELOCITY FUSE
58	Z140034	HOSE CLAMP
59	Z140035	SAE#6 ELBOW FITTING
60	Z140039Y	HYDRAULIC CYLINDER
61	Z140051	LONG SLIDER
62	Z150044	SENSOR HARNESS
63	Z140002	1-1/4" BEARING
64	Z140003	1-1/2" BEARING
65	Z140007	SHORT 1-1/4" BEARING



ITEM	PART NO.	DESCRIPTION
1	NP152	NAMEPLATE
2	NP253	FOOT WARNING DECAL
3	NP592	ROTARY DECAL
4	NP944	HAND CRUSH/FORCE FROM ABOVE WARNING LABEL
5	Z120002	RIGHT RUNWAY WELDMENT (EL1 VERSION)
	Z120071	RIGHT RUNWAY WELDMENT (L VERSION)

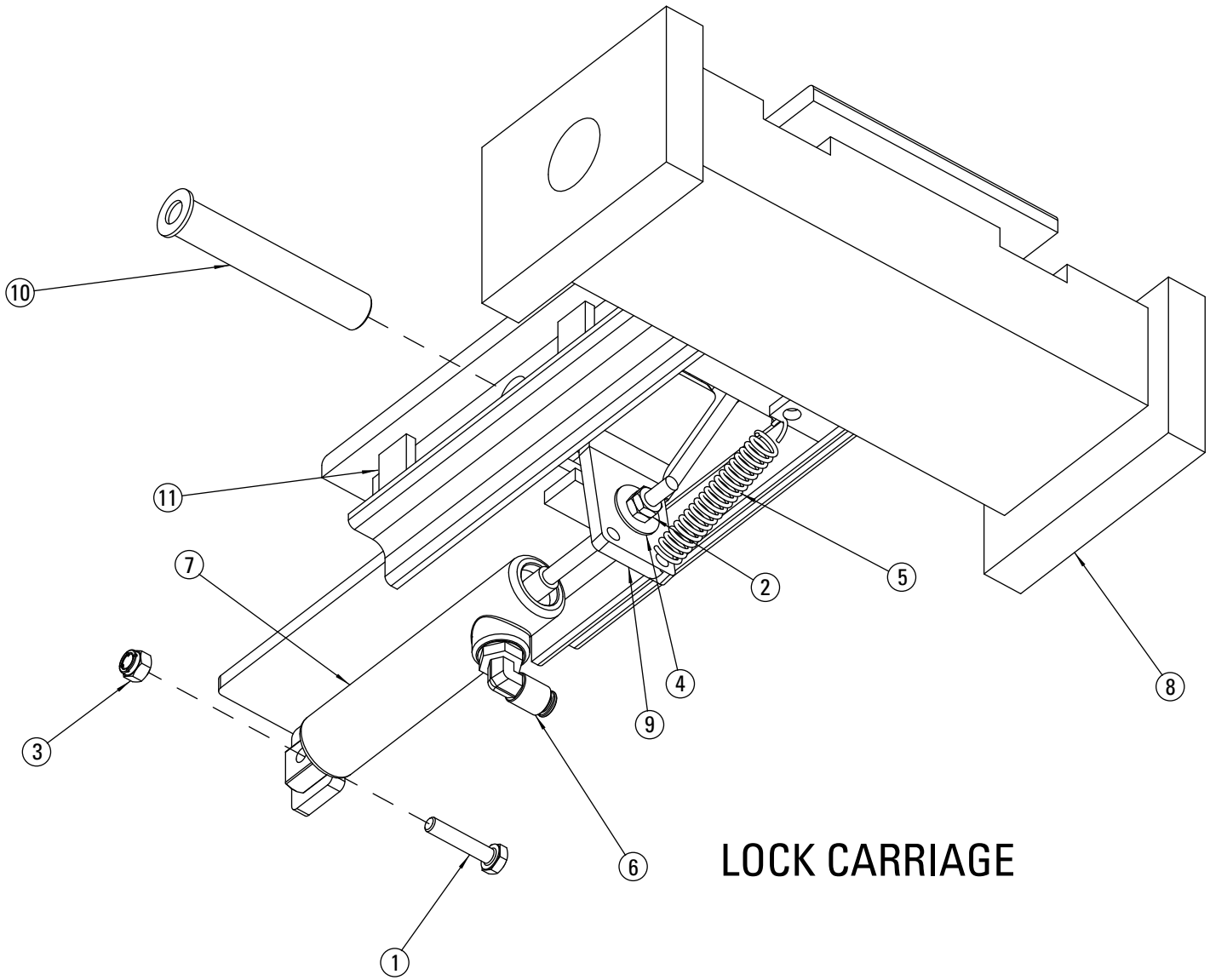


ITEM	PART NO.	DESCRIPTION
1	40139	3/8"-16NC x 1" Lg HHCS, GRD5 PLTD
2	40320	7/16"-14NC x 3/4" Lg. HEX FLGD WZLOCK CS, PLTD
3	40639	1/4" HEX PLUG
4	40660	3/8"-16NC HEX NUT
5	40845	3/8" EXTTOOTH LW, PLTD
6	FA2230-15	3/8 PARAFLEX HOSE-40' LG
7	FA7184-5	MALE BRANCH TEE - 1/4" NPTTO 3/8" TUBE
8	FC147-1	FEMALE BULKHEAD
9	FC147-3	MALE RUNTEE
10	FC147-5	MALE BRANCHTEE
11	FC147-7	MALE ELBOW
12	FC147-9	RETAINER BRACKET
13	NP944	HAND CRUSH/FORCE FROM ABOVE WARNING LABEL
14	Z120001	LEFT RUNWAY WELDMENT (EL1 VERSION)
	Z120070	LEFT RUNWAY WELDMENT (L VERSION)
15	Z130032	RUNWAY GUIDE BAR



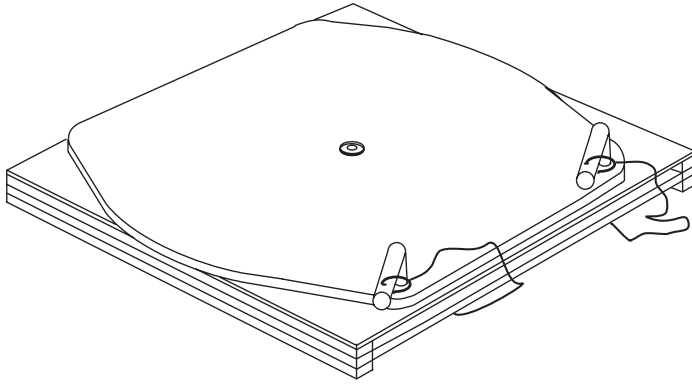
REAR SLIP PLATE

ITEM	PART NO.	DESCRIPTION
1	40065	1/4"-20NC X 1/2" FLAT HEAD SHCS, PLATED
2	40068	1/4"-20NC x 1/2" Lg. SLOTTED RHMS
3	40642	1/4"-20NC HEX NYLON INSERT LOCKNUT
4	40868	7/8" INT TOOTH LW, PLTD
5	FC5190-7	SLIP PLATE BALL
6	Z110028	REAR SLIP PLATE LOCK PIN ASSY
7	Z120058	REAR SLIP PLATE WELD
8	Z120059	REAR SLIP PLATE BASE PLATE WELD
9	Z140036-1	REAR SLIP PLATE BALL RETAINER - 24" RUNWAY
10	Z140037	REAR SLIP PLATE RETAINER PLATE
11	Z140038	REAR SLIP PLATE RETAINER SPRING
	Z110011	REAR SLIP PLATE REFURBISH KIT



LOCK CARRIAGE

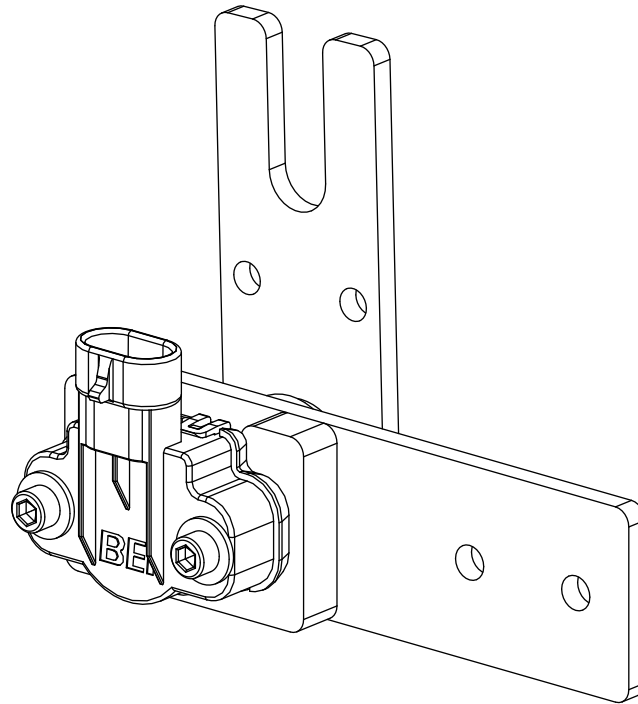
ITEM	PART NO.	DESCRIPTION
1	40115	1/4"-20NC x 1-1/4" Lg HHCS, GRD5
2	40622	1/4"-28NF HEX JAM NUT
3	40642	1/4"-20NC HEX NYLON INSERT LOCKNUT
4	41076	17/64"ID x 7/8"OD x 3/64" THK WASHER, PLTD
5	FC522-25	SPRING
6	FC5341-90	MALE ELBOW CONNECTOR
7	T140062	AIR CYLINDER
8	Z120020	LOCK CARRIAGE WELD
9	Z120027	LOCK DOG WELD
10	Z120073	LOCK DOG PIN WELD
11	Z130194	LOCK CARRIAGE RUB BLOCK



Radius Gauge Rebuild Kits	
Stainless Steel:	FA5153-2

Kits include:	
Delrin Balls	54
Zinc Internal Lock Washers	2
Carbon Springs	8
Bearing Retainers	2
Top Taper Screws	2
Bottom Set Screws	2

POSITION SENSOR

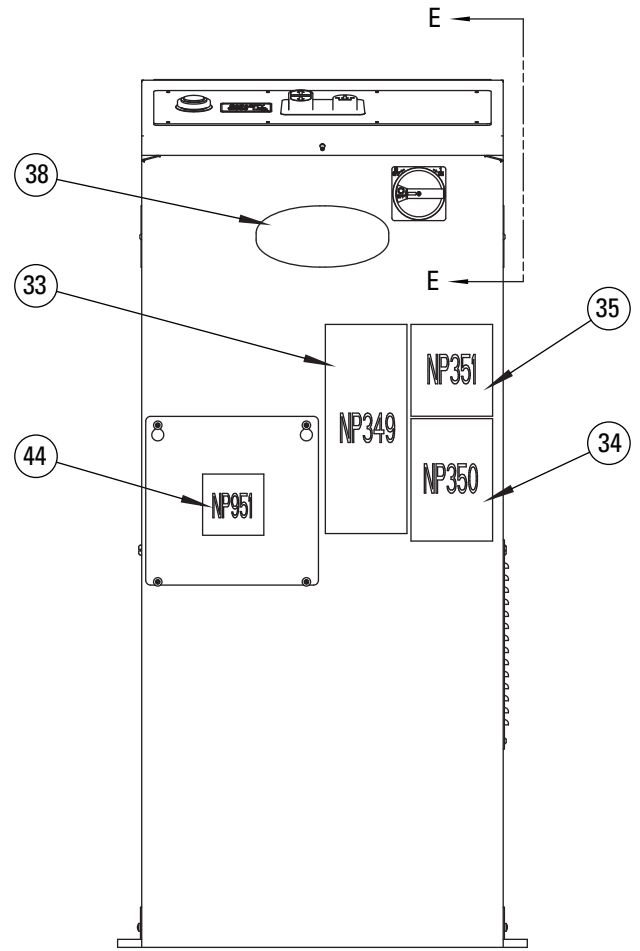
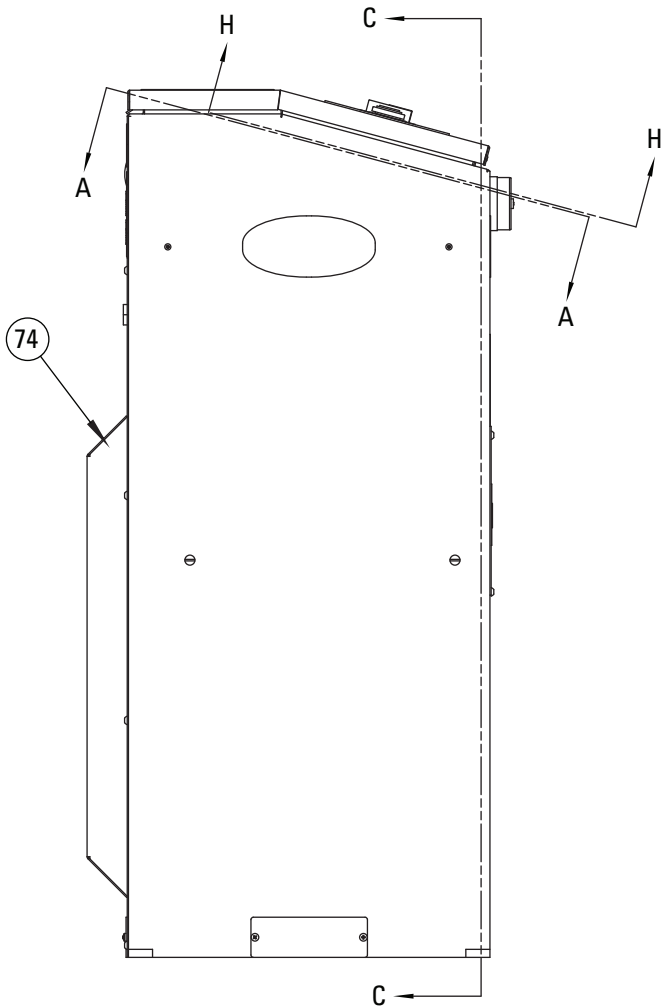
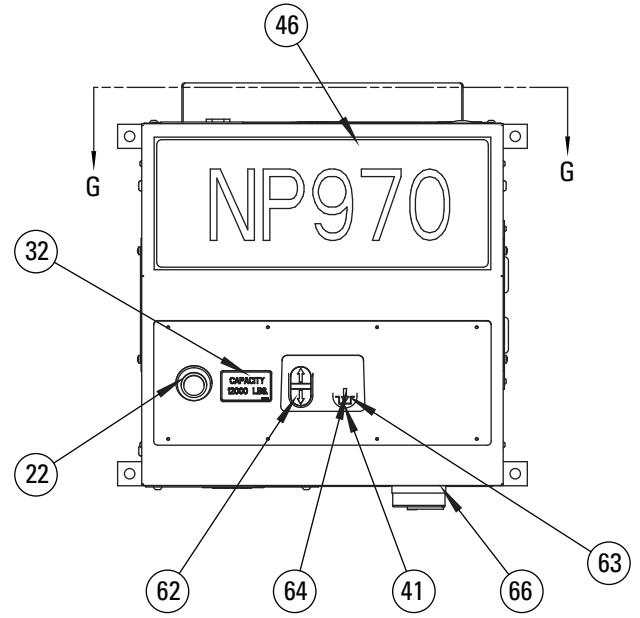


**Must Be Ordered /Replaced As An Assembly
Order Position Sensor Kit Z100032**

STANDARD CABINET		
ITEM	PART NO.	DESCRIPTION
1	40075	1/4"-20NC x 3/4" Lg. SLOTTED PHMS
2	40177	#6-32NC x 1/4" Lg. BHCS, GRD 2
3	40641	1/4"-20NC HEX FLGD WZLOCK NUT, PLTD
4	41465	#4-40NC x 7/8" Lg. HEX SHCS
5	41466	#4 EXT TOOTH LW, PLTD
6	41470	#8-32 x 1/4" Lg. HEX WHSFTS, PLTD
7	41476	#8-32 x 5/8" Lg. HEX WHSFTS, PLTD
7	41476	#8-32 x 5/8" Lg. HEX WHSFTS, PLTD
8	41547	#4-40 NUT
9	AC700011	POWER SUPPLY, 24VDC, 6.5 AMP, SWITCHING
10	AP00192	3/8 SPIRAL WRAP (NOT SHOWN)
11	FA3134-6	MALE ELBOW CONNECTOR
12	FA7184-4	LATCH AIR VALVE
13	FA7184-11	IN-LINE REGULATOR - 1/4" NPT
14	FA7186-3	1/4" FLEXIBLE NYLON TUBING x 1-1/2" LG.
15	FA7189-5	1/8" NPT BRASS FILTER
16	FA7189-9	3/4" NPT STRAIN RELIEF
17	FA7189-14	3/8" NPT STRAIN RELIEF
18	FA7958-10	7/8" HOLE PLUG
19	FA7958-14	1/2"NPT 3 HOLE CORD GRIP
20	FA7958-28	CORD GRIP
21	FA7965	CONTROL BOARD
22	FA7974	AUDIBLE SIGNAL DEVICE
23	FA988	24V DC CONTACTOR
24	FC147-1	FEMALE BULKHEAD
25	FC147-5	MALE BRANCH TEE
26	FC147-8	MALE CONNECTOR
27	FC5341-90	MALE ELBOW CONNECTOR
28	IN20630	YA12 ELECTRICAL QUICK REFERENCE (PLACE INSIDE TOP PORTION OF CABINET)
29	MC130027	GROUND BAR
30	NP1050	ZERO-SCISSOR SINGLE PHASE ELECTRICAL SCHEMATIC NAMEPLATE
31	NP1059	ZERO-SCISSOR SINGLE PHASE ELECTRICAL SCHEMATIC NAMEPLATE
32	NP243	DECAL - 12000 LBS CAP
33	NP349	ALI/WL200W LABEL
34	NP350	ALI/WL200S LABEL
35	NP351	ALI/WL200C LABEL
36	NP470	MOTOR LOCATION WARNING LABEL
37	NP585	MULTIPLE POWER SOURCE LABEL
38	NP607	NAMEPLATE
39	NP765	LABEL
40	NP766	LABEL
41	NP797	2P BUTTON LABEL
42	NP865	ETL ACCESSORY LABEL
43	NP929	NAMEPLATE
44	NP951	OIL FILTER REPLACEMENT NAMEPLATE
45	NP966	YA12 CALIBRATION LABEL
46	NP970	NAMEPLATE
47	T140081	FEMALE CONNECTOR
48	WD052	CONTROL DRAWING
49	XS130094	WIRE TIE DOWN
50	XS130097	FEMALE THD STAND OFF #6-32 x 1-1/4 Lg. MMC #91780A760

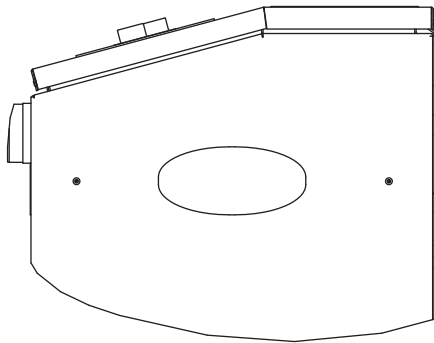
STANDARD CABINET		
ITEM	PART NO.	DESCRIPTION
51	XS130119	MARKER CARDS
52	Z110018	ZERO-SCISSOR SINGLE PHASE POWER UNIT
53	Z130108	ZERO-SCISSOR POWER UNIT MOUNTING BRACKET
54	Z140046	1-3/16" HOLE PLUG
55	Z150031	4-POLE TERMINAL
56	Z150034	VALVE HARNESS (NOT SHOWN - SEE ELECTRICAL SCHEMATIC)
57	Z150035	VALVE HARNESS (NOT SHOWN - SEE ELECTRICAL SCHEMATIC)
58	Z150036	TB4 HARNESS (NOT SHOWN - SEE ELECTRICAL SCHEMATIC)
59	Z150038	E-STOP BYPASS HARNESS (NOT SHOWN - SEE ELECTRICAL SCHEMATIC)
60	Z150040	HI GROUND CABLE (NOT SHOWN - SEE ELECTRICAL SCHEMATIC)
61	Z150043	MOTOR CABLE (NOT SHOWN - SEE ELECTRICAL SCHEMATIC)
62	Z150047	DUAL PUSH BUTTON
63	Z150048	ILLUMINATED SINGLE PUSH BUTTON
64	Z150049	6V LAMP
65	Z150050	AIRLINE TUBING (NOT SHOWN)
66	Z150051	DISCONNECT SWITCH W/HANDLE
67	Z150060	GROUND WIRE (NOT SHOWN - SEE WIRING INSTRUCTIONS)
68	Z150083	ACTUATOR HARNESS (NOT SHOWN - SEE ELECTRICAL SCHEMATIC)
69	Z150084	24V POWER HARNESS (NOT SHOWN - SEE ELECTRICAL SCHEMATIC)
70	Z150086	DISCONNECT-CONTACTOR HARNESS (NOT SHOWN - SEE ELECTRICAL SCHEMATIC)
71	Z150087	POWER HARNESS (NOT SHOWN - SEE ELECTRICAL SCHEMATIC)
72	Z150088	GROUND WIRE (NOT SHOWN - SEE ELECTRICAL SCHEMATIC)
73	Z150089	GROUND WIRE (NOT SHOWN - SEE ELECTRICAL SCHEMATIC)
74	Z150093	
75	Z150095	ZERO-SCISSOR TERMINAL ASSEMBLY

Standard Cabinet

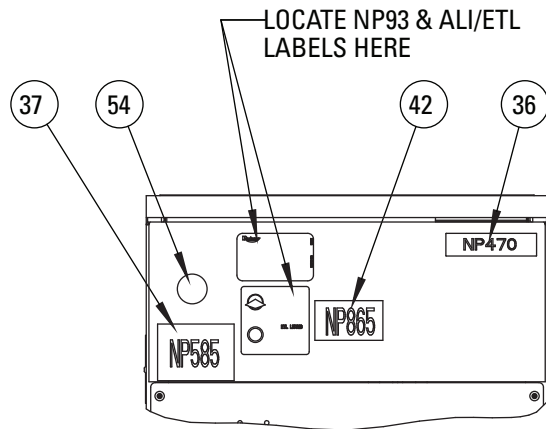


Standard Cabinet

NOTE: POSITION NAMEPLATES
APPROXIMATELY AS SHOWN
UNLESS SPECIFIED

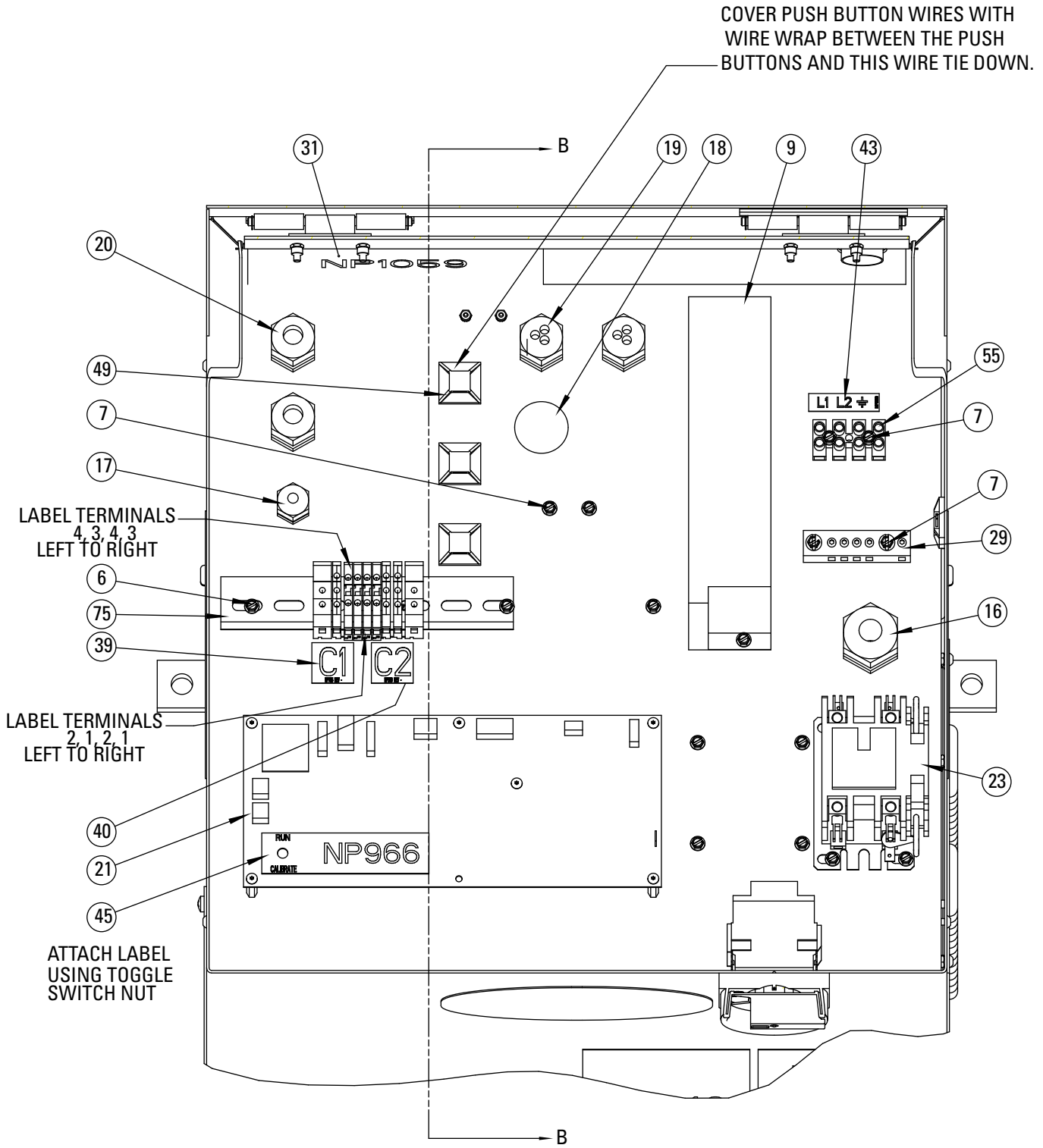


SECTION E-E
RIGHT SIDE OF CABINET



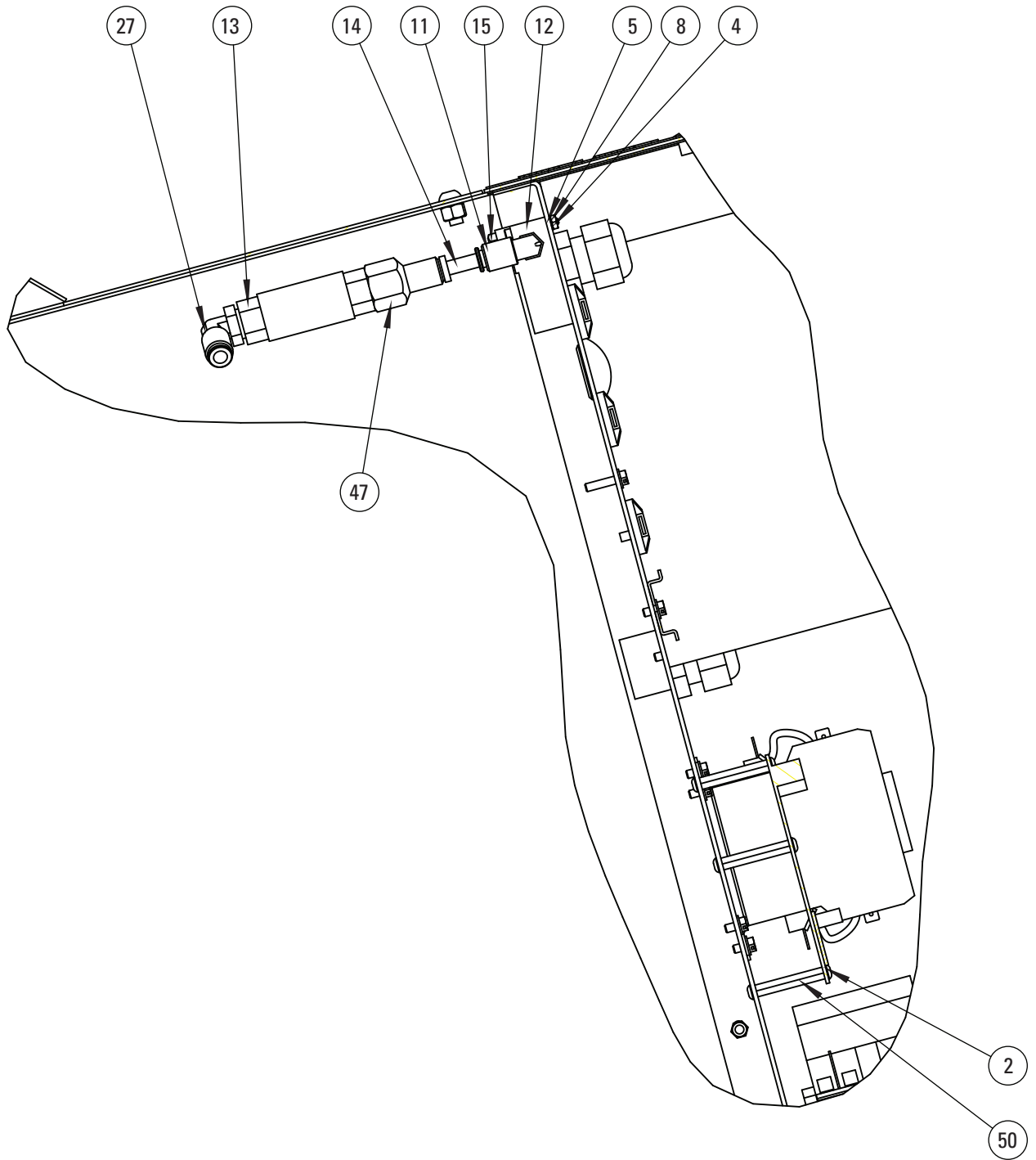
SECTION G-G
BACK OF CABINET

Standard Cabinet



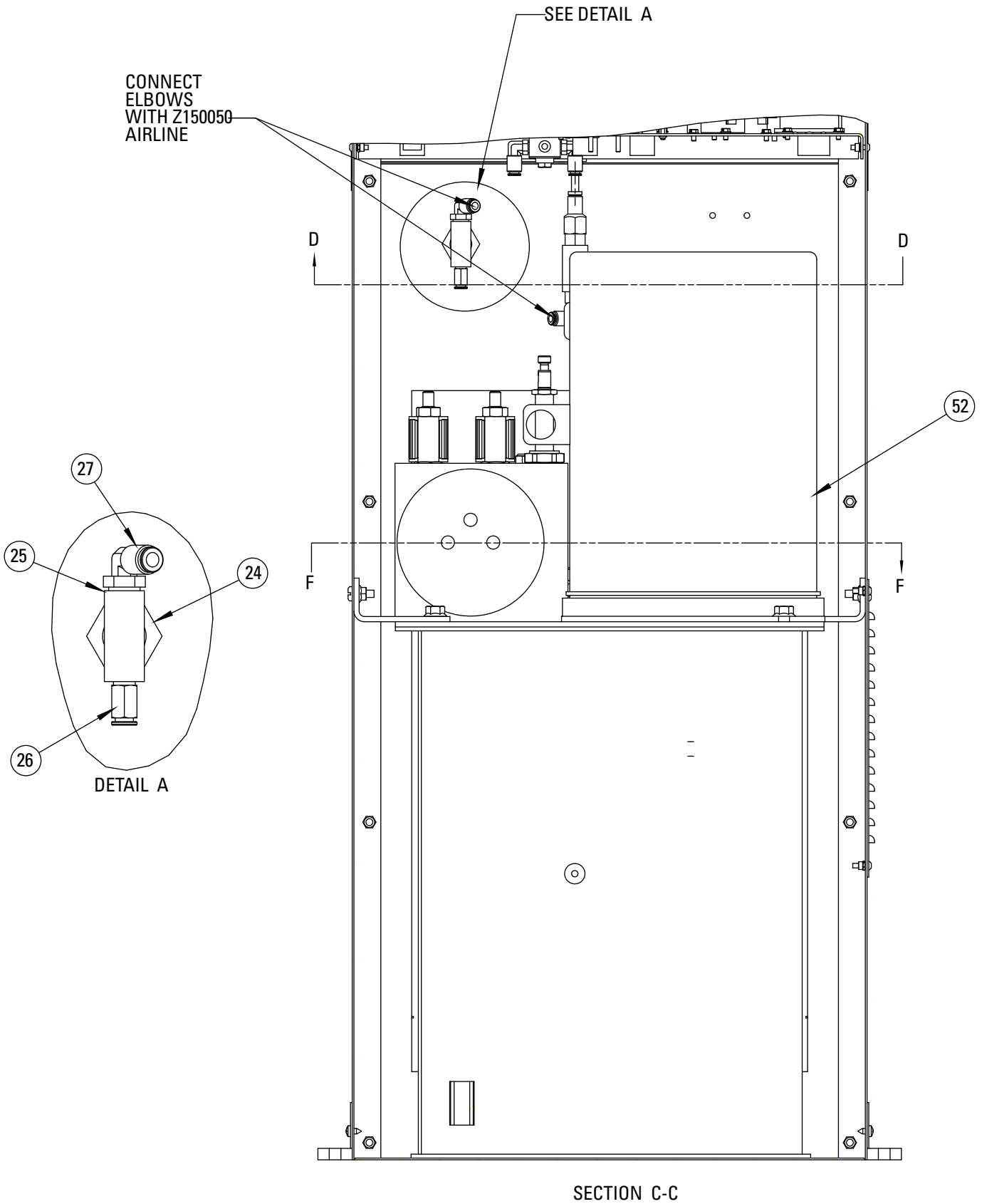
SECTION A-A

Standard Cabinet

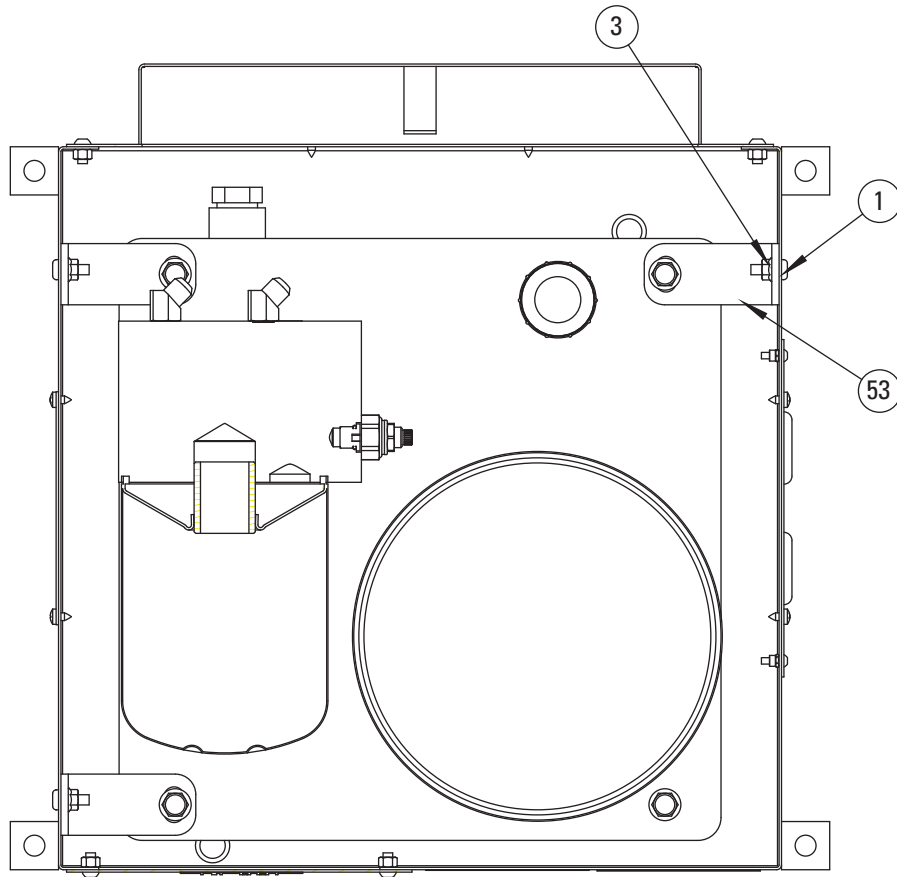


SECTION B-B

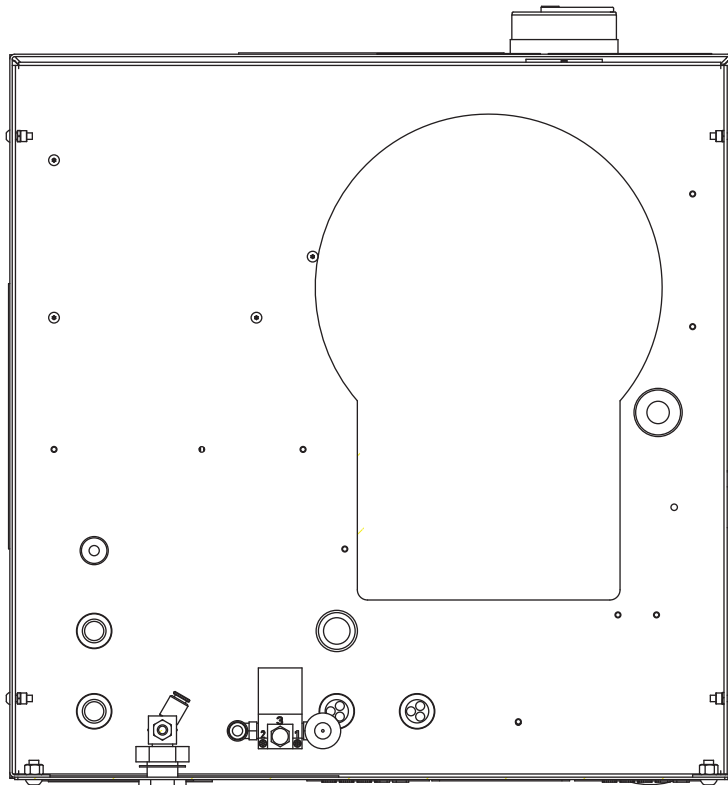
Standard Cabinet



Standard Cabinet

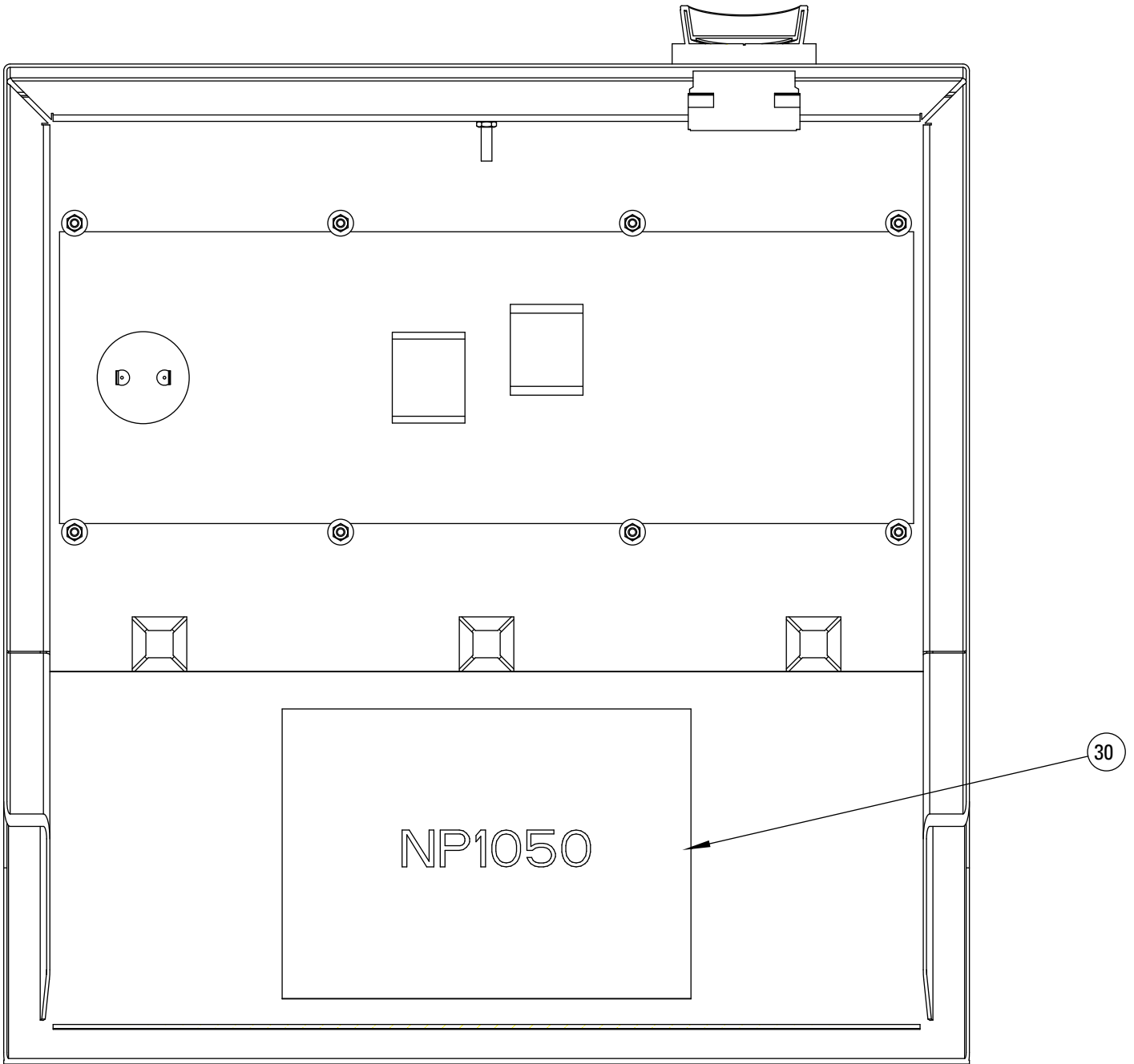


SECTION F-F



SECTION D-D

Standard Cabinet

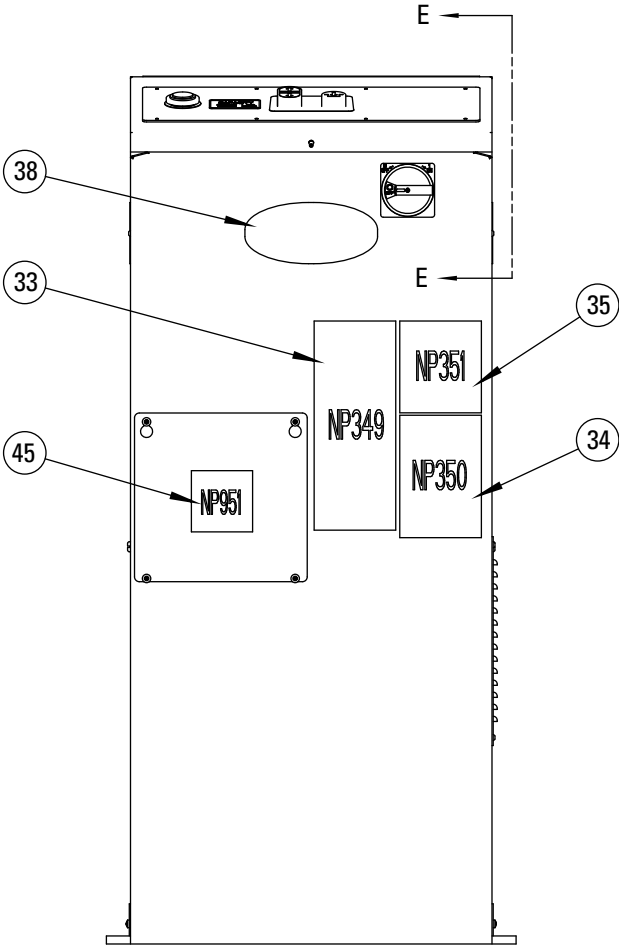
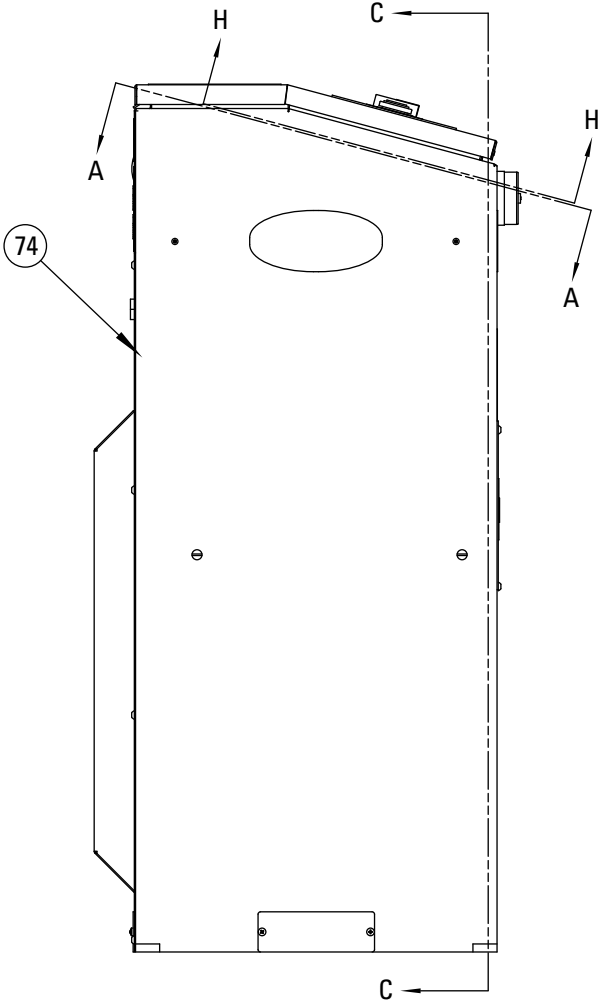
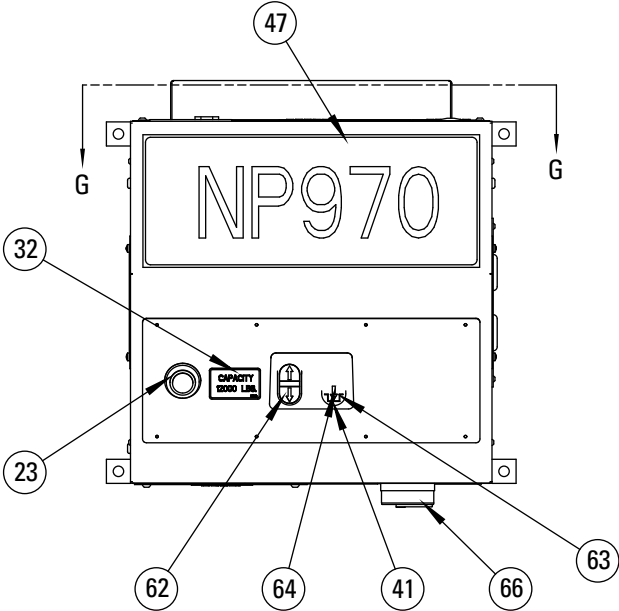


SECTION H-H

SINGLE PHASE CONTROL CABINET (FLUSH MOUNT)		
ITEM	PART NO.	DESCRIPTION
1	40075	1/4"-20NC x 3/4" Lg. SLOTTED PHMS
2	40177	#6-32NC x 1/4" Lg. BHCS, GRD 2
3	40641	1/4"-20NC HEX FLGD WZLOCK NUT, PLTD
4	41465	#4-40NC x 7/8" Lg. HEX SHCS
5	41466	#4 EXT TOOTH LW, PLTD
6	41470	#8-32 x 1/4" Lg. HEX WHSFTS, PLTD
7	41476	#8-32 x 5/8" Lg. HEX WHSFTS, PLTD
8	41547	#4-40 NUT
9	AC700011	POWER SUPPLY, 24VDC, 6.5 AMP, SWITCHING
10	AP00192	3/8 SPIRAL WRAP (NOT SHOWN)
11	FA3134-6	MALE ELBOW CONNECTOR
12	FA7184-4	LATCH AIR VALVE
13	FA7184-11	IN-LINE REGULATOR - 1/4" NPT
14	FA7186-3	1/4" FLEXIBLE NYLON TUBING x 1-1/2" LG.
15	FA7189-5	1/8" NPT BRASS FILTER
16	FA7189-9	3/4" NPT STRAIN RELIEF
17	FA7189-14	3/8" NPT STRAIN RELIEF
18	FA7628	ZERO-SCISSOR BARRIER KIT
19	FA7958-10	7/8" HOLE PLUG
20	FA7958-14	1/2"NPT 3 HOLE CORD GRIP
21	FA7958-28	CORD GRIP
22	FA7965	CONTROL BOARD
23	FA7974	AUDIBLE SIGNAL DEVICE
24	FA988	24V DC CONTACTOR
25	FC147-1	FEMALE BULKHEAD
26	FC147-5	MALE BRANCH TEE
27	FC147-8	MALE CONNECTOR
28	FC5341-90	MALE ELBOW CONNECTOR
29	IN20630	YA12 ELECTRICAL QUICK REFERENCE (PLACE INSIDE TOP PORTION OF CABINET)
30	MC130027	GROUND BAR
31	NP1050	ZERO-SCISSOR SINGLE PHASE ELECTRICAL SCHEMATIC NAMEPLATE
32	NP243	DECAL - 12000 LBS CAP
33	NP349	ALI/WL200W LABEL
34	NP350	ALI/WL200S LABEL
35	NP351	ALI/WL200C LABEL
36	NP470	MOTOR LOCATION WARNING LABEL
37	NP585	MULTIPLE POWER SOURCE LABEL
38	NP607	NAMEPLATE
39	NP765	LABEL
40	NP766	LABEL
41	NP797	2P BUTTON LABEL
42	NP865	ETL ACCESSORY LABEL
43	NP929	NAMEPLATE
44	NP943	NAMEPLATE
45	NP951	OIL FILTER REPLACEMENT NAMEPLATE
46	NP966	YA12 CALIBRATION LABEL
47	NP970	NAMEPLATE
48	T140081	FEMALE CONNECTOR
49	WD044	CONTROL DRAWING
50	XS130094	WIRE TIE DOWN

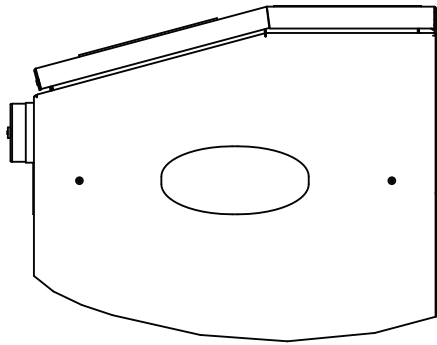
SINGLE PHASE CONTROL CABINET (FLUSH MOUNT)		
ITEM	PART NO.	DESCRIPTION
51	XS130097	FEMALE THD STAND OFF #6-32 x 1-1/4 Lg. MMC #91780A760
52	Z110018	ZERO-SCISSOR SINGLE PHASE POWER UNIT
53	Z130108	ZERO-SCISSOR POWER UNIT MOUNTING BRACKET
54	Z140046	1-3/16" HOLE PLUG
55	Z150031	4-POLE TERMINAL
56	Z150034	VALVE HARNESS (NOT SHOWN - SEE ELECTRICAL SCHEMATIC)
57	Z150035	VALVE HARNESS (NOT SHOWN - SEE ELECTRICAL SCHEMATIC)
58	Z150036	TB4 HARNESS (NOT SHOWN - SEE ELECTRICAL SCHEMATIC)
59	Z150038	E-STOP BYPASS HARNESS (NOT SHOWN - SEE ELECTRICAL SCHEMATIC)
60	Z150040	HI GROUND CABLE (NOT SHOWN - SEE ELECTRICAL SCHEMATIC)
61	Z150043	MOTOR CABLE (NOT SHOWN - SEE ELECTRICAL SCHEMATIC)
62	Z150047	DUAL PUSH BUTTON
63	Z150048	ILLUMINATED SINGLE PUSH BUTTON
64	Z150049	6V LAMP
65	Z150050	AIRLINE TUBING (NOT SHOWN)
66	Z150051	DISCONNECT SWITCH W/HANDLE
67	Z150060	GROUND WIRE (NOT SHOWN - SEE WIRING INSTRUCTIONS)
68	Z150083	ACTUATOR HARNESS (NOT SHOWN - SEE ELECTRICAL SCHEMATIC)
69	Z150084	24V POWER HARNESS (NOT SHOWN - SEE ELECTRICAL SCHEMATIC)
70	Z150086	DISCONNECT-CONTACTOR HARNESS (NOT SHOWN - SEE ELECTRICAL SCHEMATIC)
71	Z150087	POWER HARNESS (NOT SHOWN - SEE ELECTRICAL SCHEMATIC)
72	Z150088	GROUND WIRE (NOT SHOWN - SEE ELECTRICAL SCHEMATIC)
73	Z150089	GROUND WIRE (NOT SHOWN - SEE ELECTRICAL SCHEMATIC)
74	Z150093	

Standard Cabinet For Flush Mount Lifts

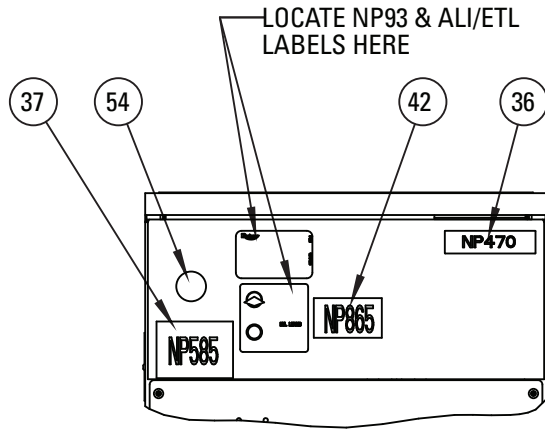


Standard Cabinet For Flush Mount Lifts

NOTE: POSITION NAMEPLATES
APPROXIMATELY AS SHOWN
UNLESS SPECIFIED

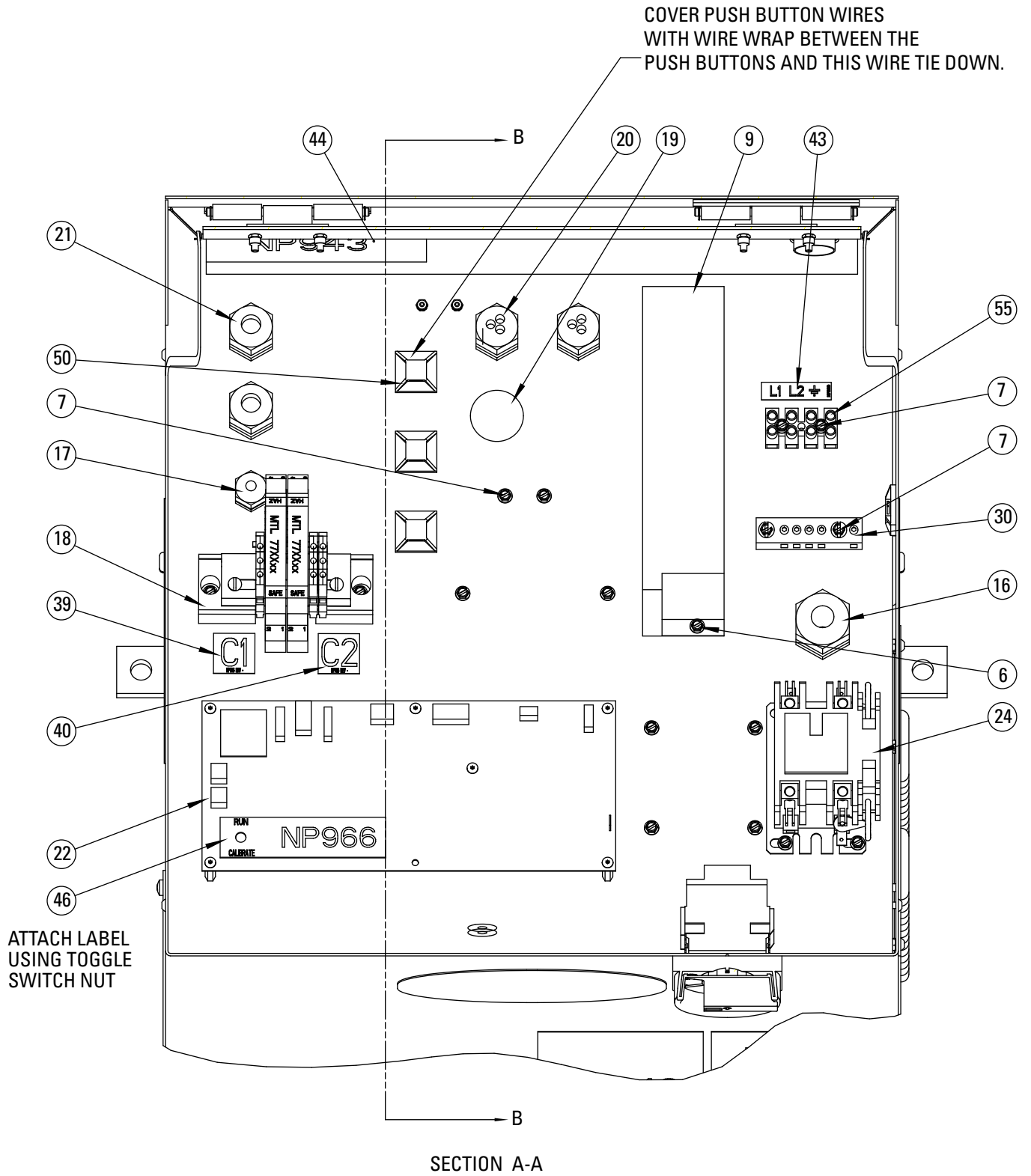


SECTION E-E
RIGHT SIDE OF CABINET

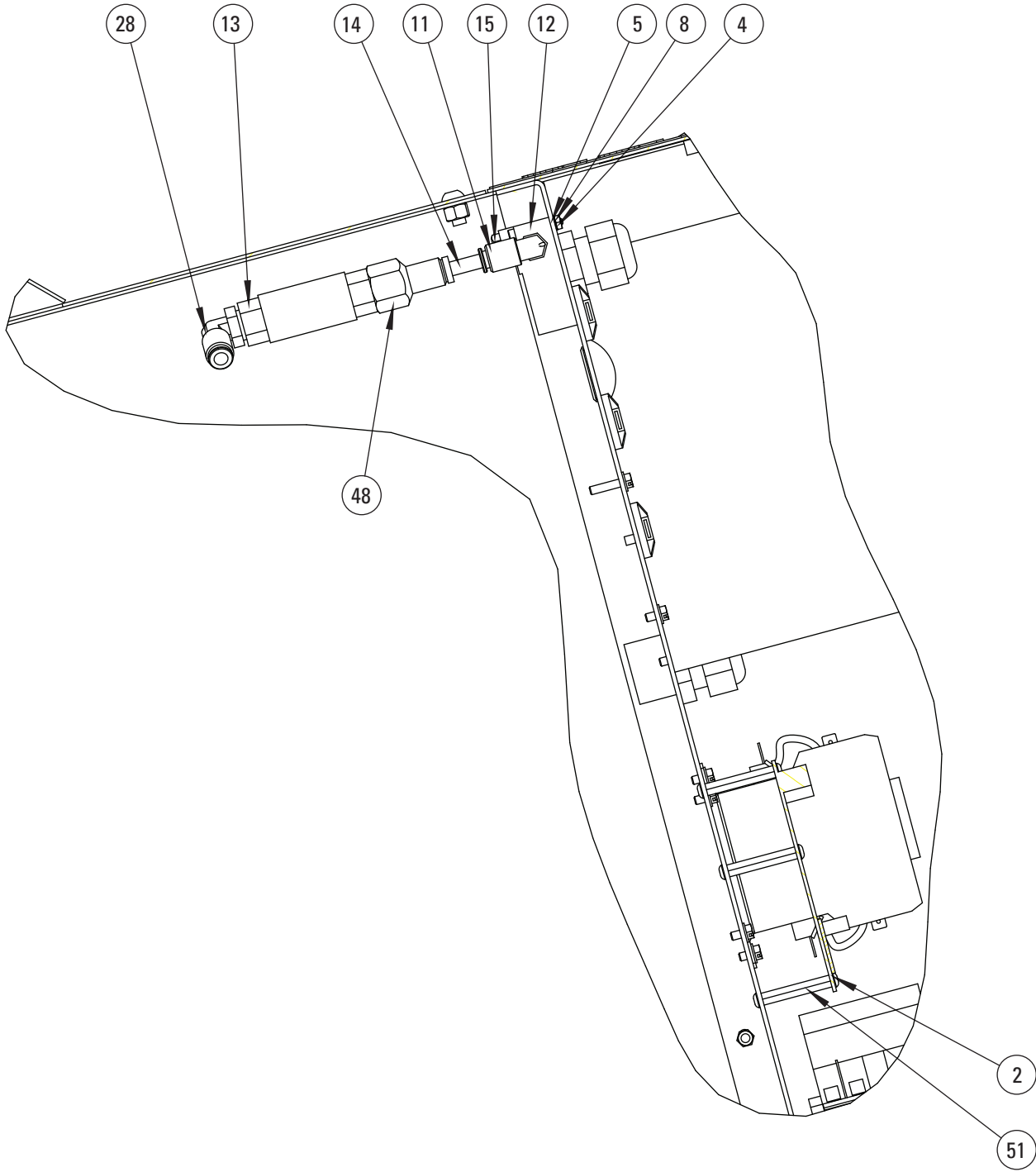


SECTION G-G
BACK OF CABINET

Standard Cabinet For Flush Mount Lifts

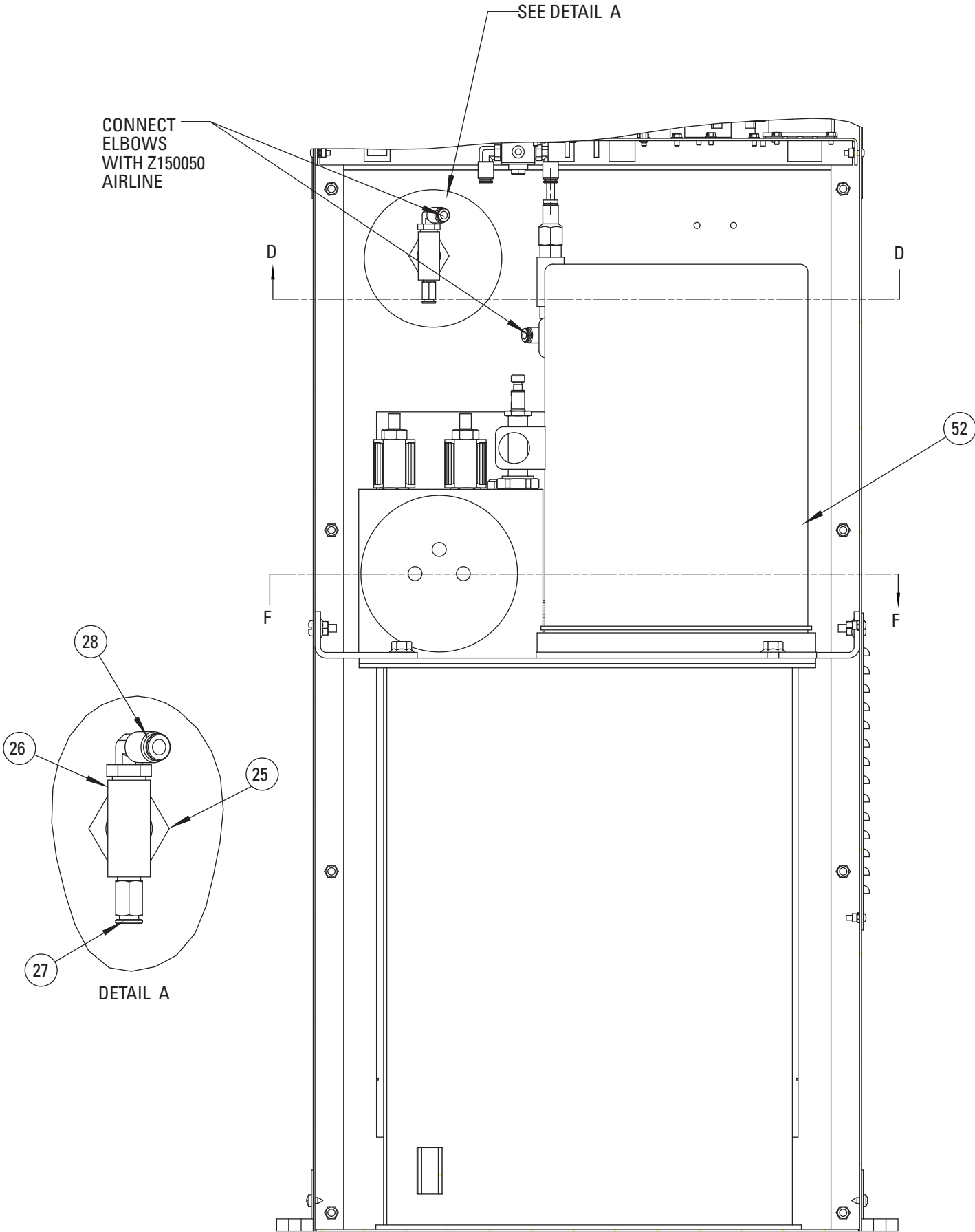


Standard Cabinet For Flush Mount Lifts

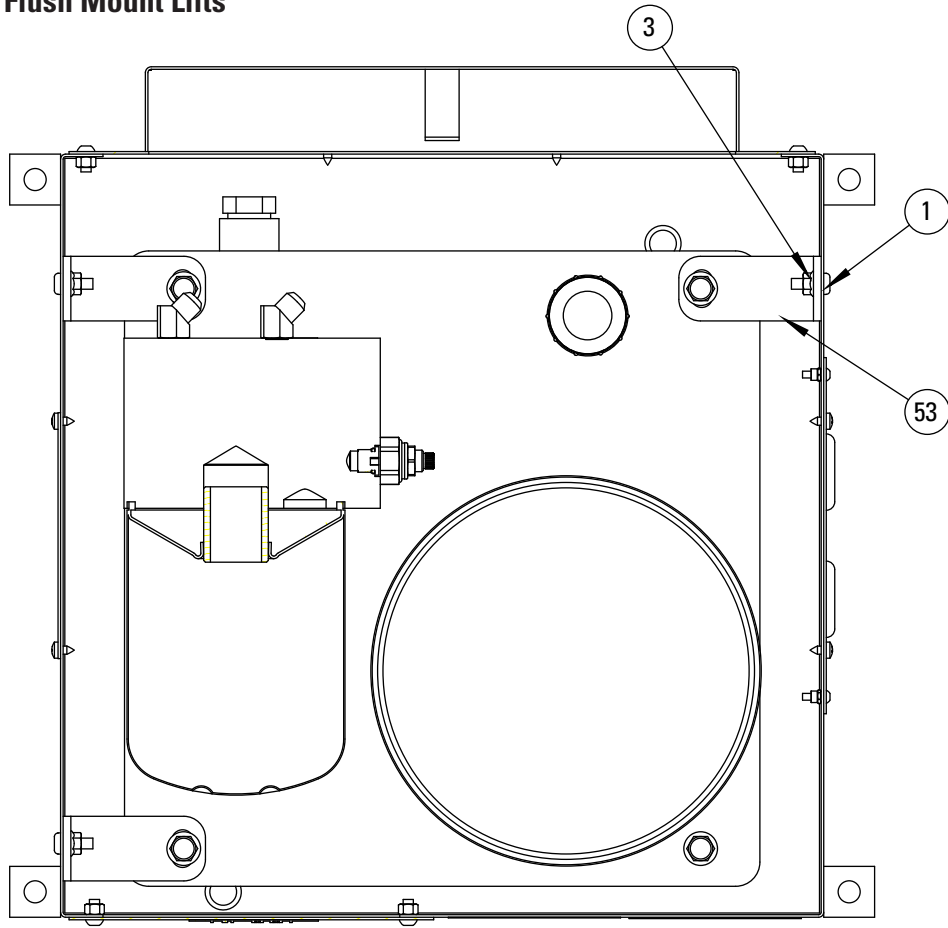


SECTION B-B

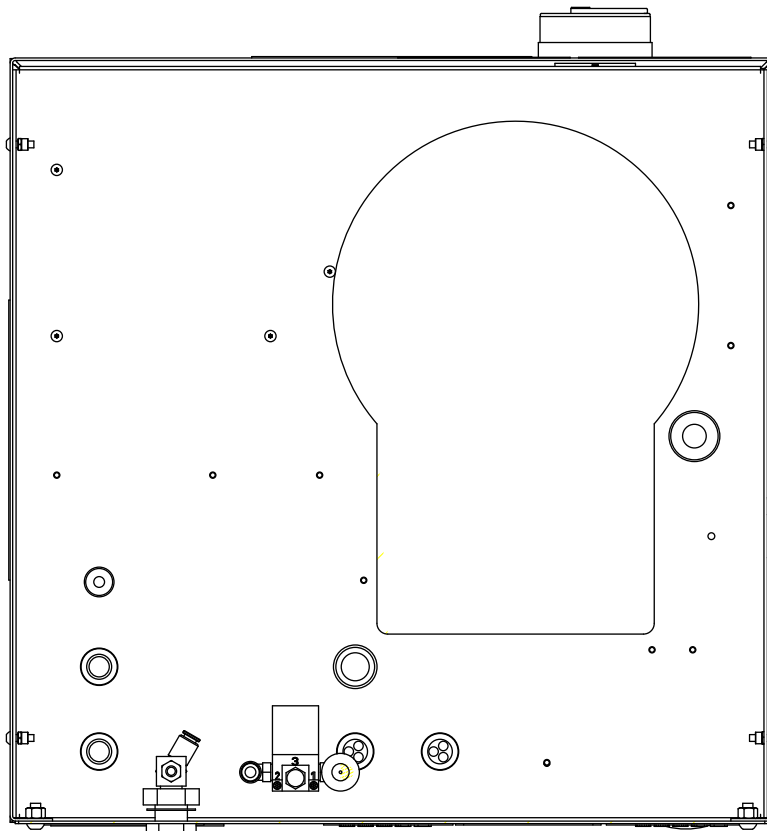
Standard Cabinet For Flush Mount Lifts



Standard Cabinet For Flush Mount Lifts

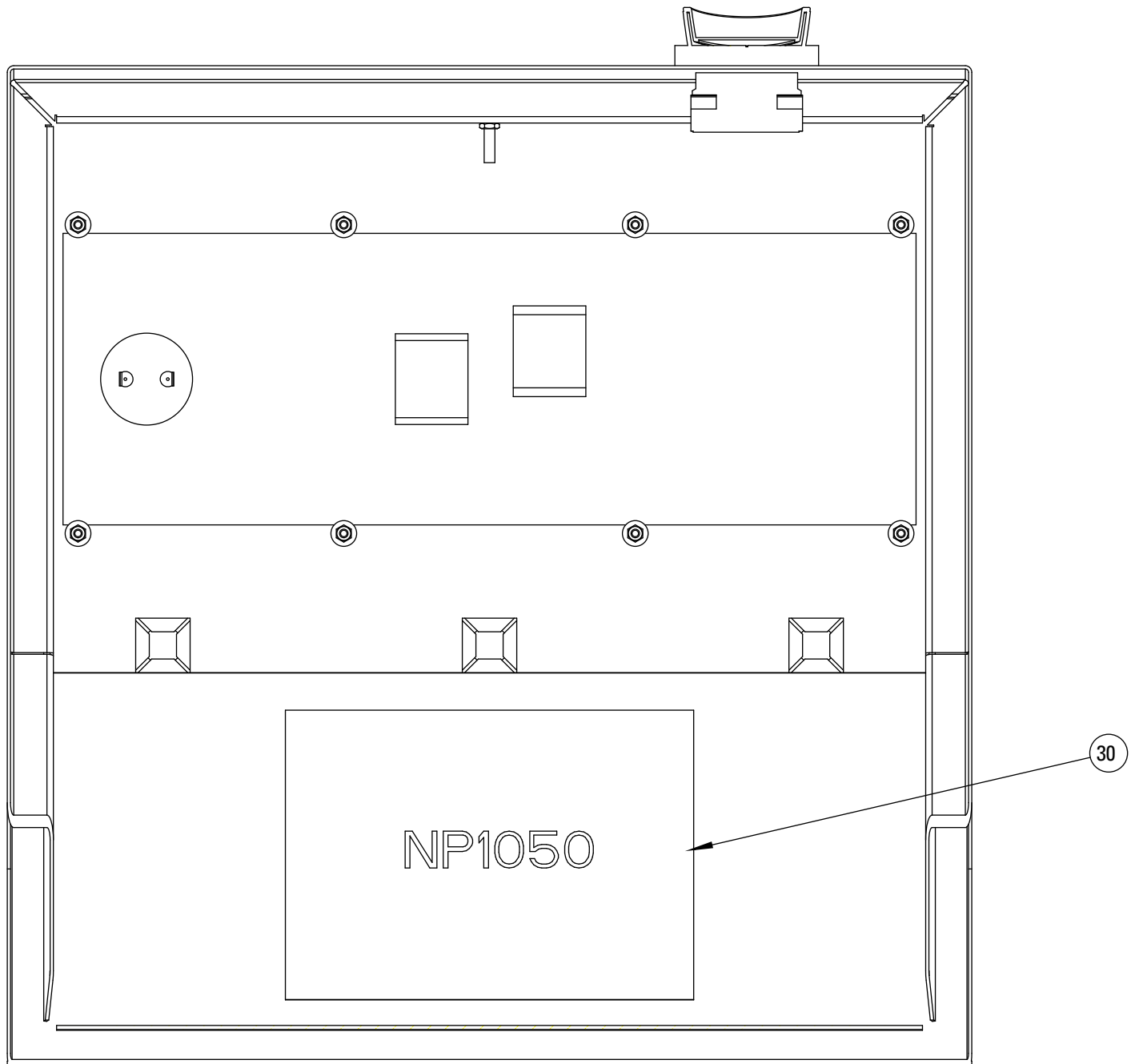


SECTION F-F



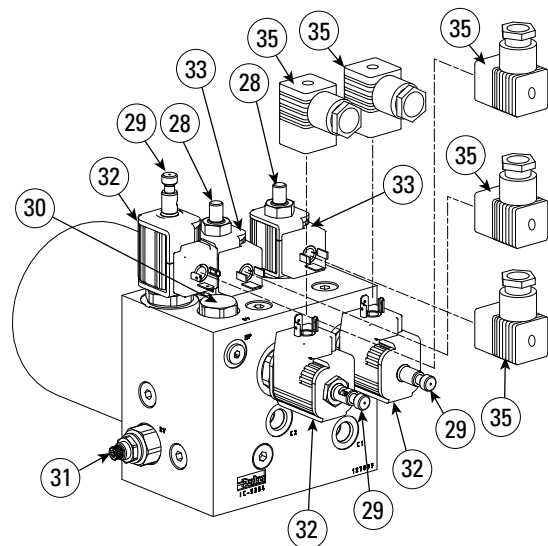
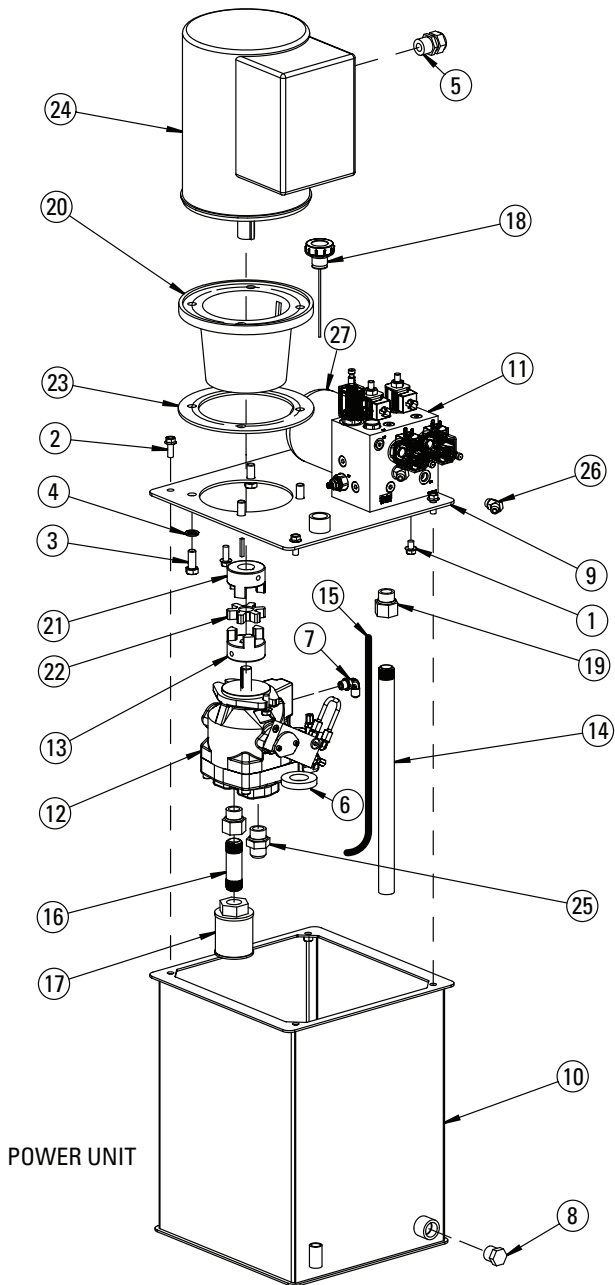
SECTION D-D

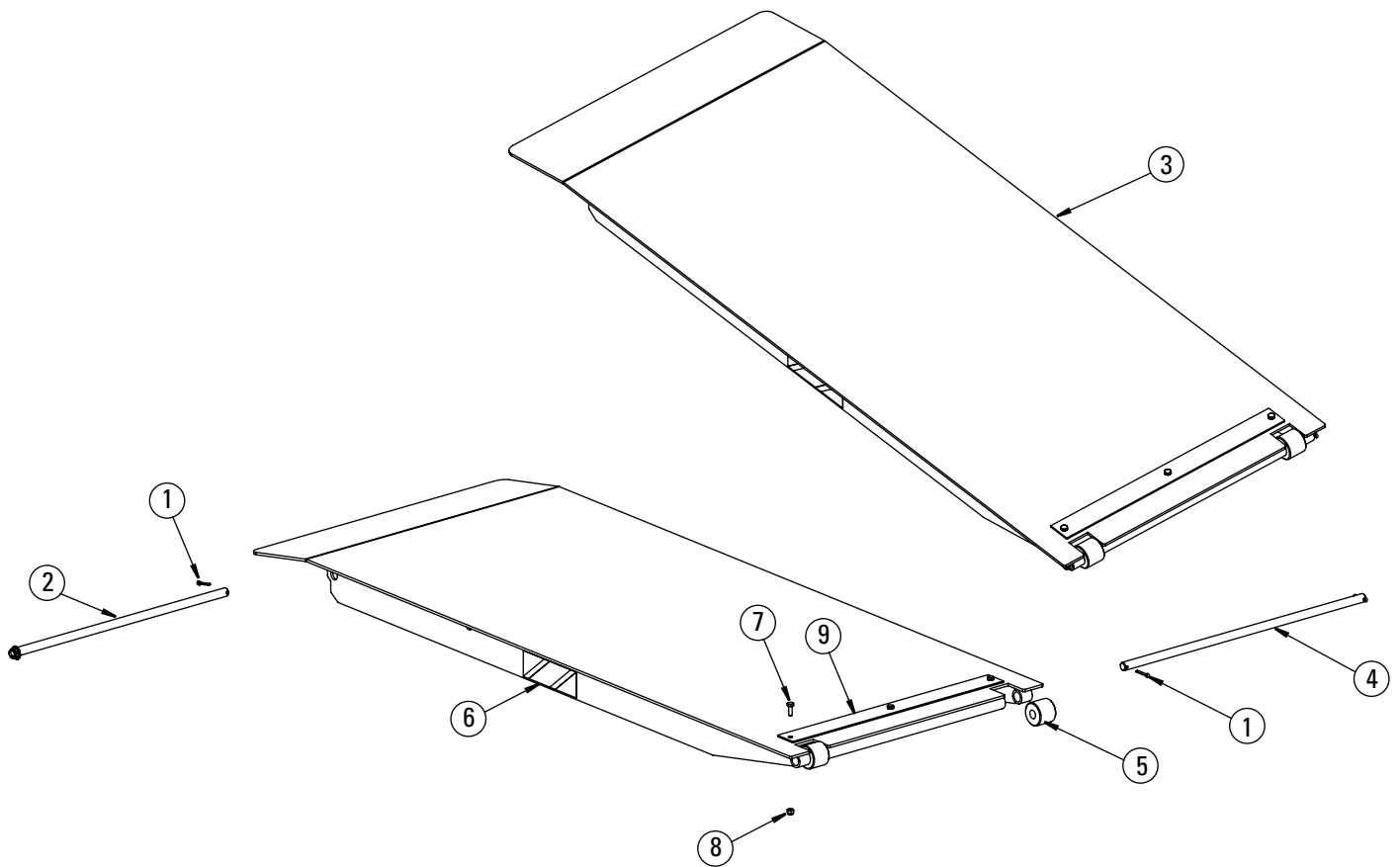
Standard Cabinet For Flush Mount Lifts



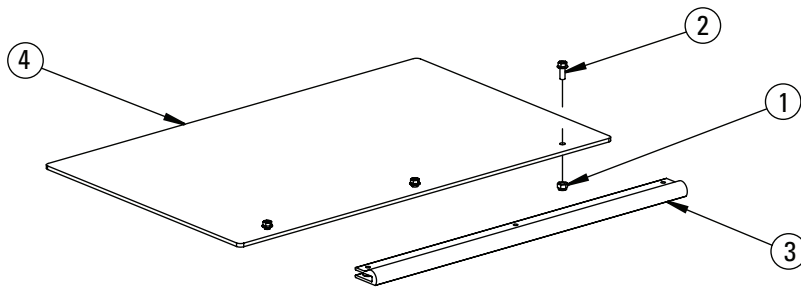
SECTION H-H

ITEM	PART NO.	DESCRIPTION
1	40129	3/8" -16NC x 1/2" Lg. HEX FLGD WZLOCK CS, PLTD
2	40144	3/8" -16NC x 1" Lg. HEX FLGD WZLOCK CS, PLTD
3	40286	1/2" -13NC x 1-1/4" Lg HHCS, GRD5 PLTD
4	40915	1/2" HELICAL SPRING LW, PLTD
5	FA7189-9	3/4" NPT STRAIN RELIEF
6	FC756-1	MAGNET
7	FJ7224	ELBOW ADAPTER
8	XS130044	DRAIN PLUG
9	Z120038	HYD TANK COVER WELD
10	Z120039	HYD TANK WELD
11	Z140009	POWER UNIT MANIFOLD
12	Z140010	POWER UNIT HYD PUMP
13	Z140011	PUMP COUPLING
14	Z140013	RETURN LINE
15	Z140015	PUMP/MANIFOLD HOSE
16	Z140017	SUCTION TUBE
17	Z140019	SUCTION STRAINER
18	Z140024	CAP W/DIPSTICK
19	Z140028	SAE#12 x 3/4 NPT FITTING
20	Z140040	PUMP MOUNT ADAPTER
21	Z140041	MOTOR COUPLING
22	Z140042	COUPLING SPIDER
23	Z140043	MOUNT ADAPTER GASKET
24	Z140044	SINGLE PHASE MOTOR
	Z140052	THREE PHASE MOTOR
	Z140053	THREE PHASE MOTOR (575V)
25	Z140045	SAE#12 O-RING x JIC FITTING
26	Z140049	45 DEGREE ADAPTER
27	Z140057	FILTER
28	Z140062	Y-LIFT PROPORTIONAL VALVE
29	Z140063	Y-LIFT SOLENOID VALVE
30	Z140064	Y-LIFT CHECK VALVE
31	Z140065	Y-LIFT RELIEF VALVE
32	Z140066	Y-LIFT 28W 24V COIL
33	Z140067	Y-LIFT 19W 24V COIL
34	Z140068	Y-LIFT FILTER NIPPLE (NOT SHOWN)
35	MC130048	CONNECTOR





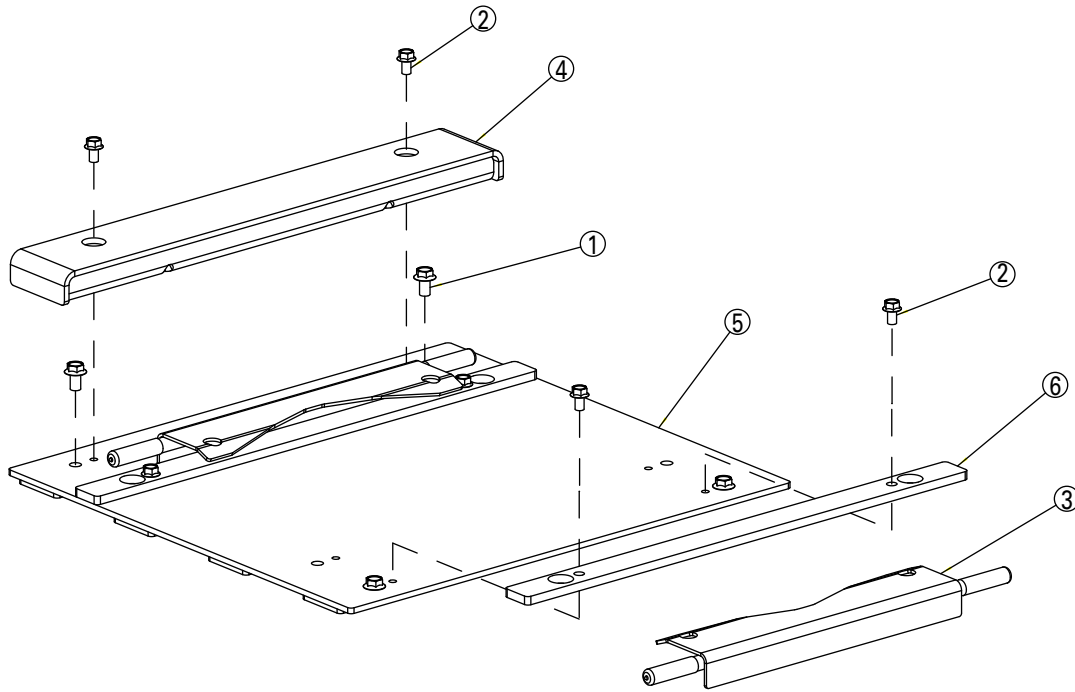
ITEM	PART NO.	DESCRIPTION
1	41202	5/32" x 1" Lg COTTER PIN
2	FC134-99	HINGE PIN
3	Z110019	STANDARD RAMP ASSEMBLY
	Z110020	EXTENDED RAMP ASSEMBLY
4	Z130100	ROLLER SHAFT
5	Z140014	RAMP ROLLER
6	N220-3	TRAFFIC TAPE
7	40104	1/4" -20NC x 3/4" Lg HHCS GRADE 2 PLATED
8	40642	1/4" -20NC HEX NYLON INSERT LOCKNUT
9	Z130192	RAMP CAUTION STRIP



ITEM	PART NO.	DESCRIPTION
1	40642	1/4" -20NC HEX NYLON INSERT LOCKNUT
2	42000	1/4" -20NC x 5/8" Lg. HEX FLGD WZLOCK CS, PLTD
3	FC327-4	RAMP CHOCK SLIDE
4	Z120044	FLUSH RAMP WELD

Notes:

Notes:



14" x 14" x 1-1/2" TURN-TABLE INSERT

ITEM	PART NO.	DESCRIPTION
1	40320	7/16"-14NC x 3/4" Lg. HEX FLGD WZLOCK CS, PLTD
2	40386	3/8"-16NC x 5/8" Lg. HEX FLGD WZLOCK CS, PLTD, GRD5
3	FC7117	ROLL BACK FILLER
4	Z120016	RUNWAY FILLER WELD
5	Z120069	TURN-TABLE INSERT WELD
6	Z130158	TURN-TABLE GUIDE BAR

Rotary World Headquarters
 2700 Lanier Drive
 Madison, IN 47250, USA
www.rotarylif.com

North America Contact Information

Tech. Support:
 p 800.445.5438
 f 800.578.5438
 e userlink@rotarylif.com
 Sales:
 p 800.640.5438
 f 800.578.5438
 e userlink@rotarylif.com

World Wide Contact Information

World Headquarters/USA: 1.812.273.1622
 Canada: 1.905.812.9920
 European Headquarters/Germany: +49.771.9233.0
 United Kingdom: +44.178.747.7711
 Australasia: +60.3.7660.0285
 Latin America / Caribbean: +54.3488.431.608
 Middle East / Northern Africa: +49.771.9233.0

© Vehicle Service GroupSM

Printed in U.S.A., All Rights Reserved. Unless otherwise indicated, ROTARY, and all other trademarks are property of Dover Corporation and its affiliates.

