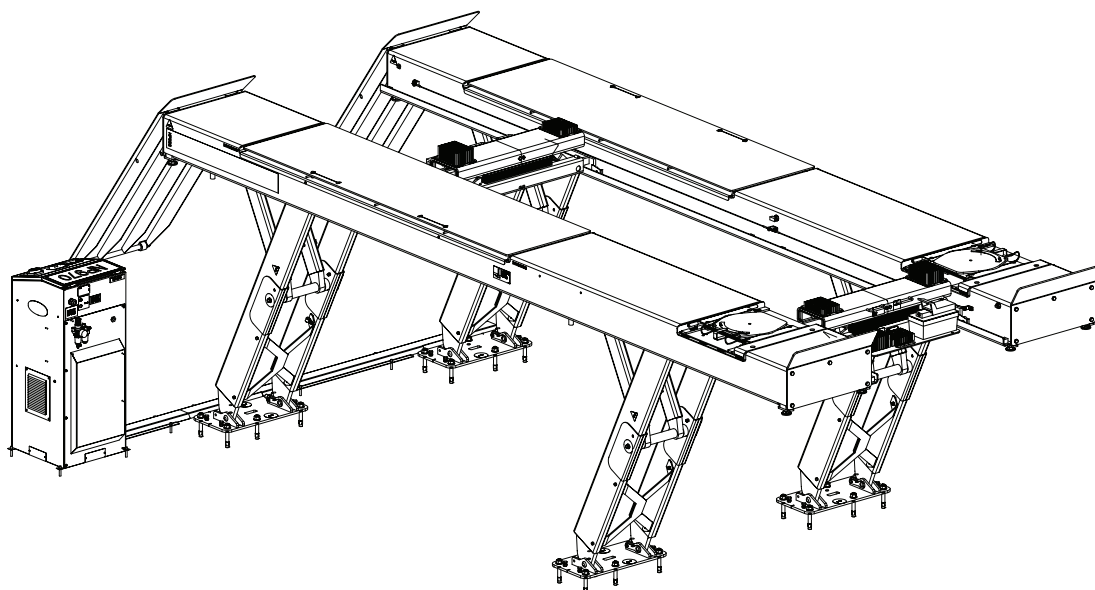




YA12

SURFACE AND FLUSH MOUNTED LIFT
(000 SERIES)

12000 lb. Capacity
(6000 lbs. per axle)



P
A
R
T
S

B
R
E
A
K
D
O
W
N

IMPORTANT: When ordering parts or requesting service always give exact model and power unit serial number. Model number is shown on nameplate attached to air lock release valve. Power unit serial number is located on side of power unit.

OWNERS RECORD
Complete information at right and keep in a safe place.

Date Installed _____

Installed in Bay # _____

Power Unit Serial # _____

Power Unit Model # _____

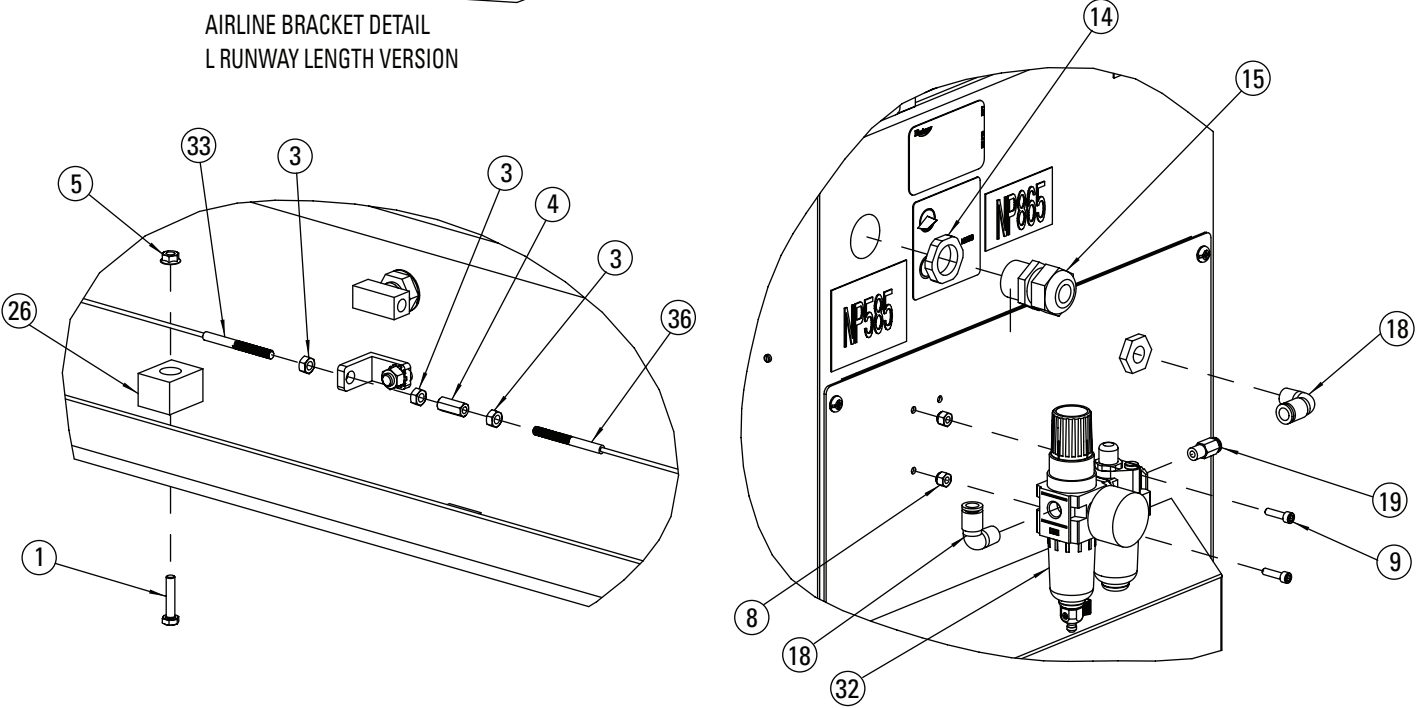
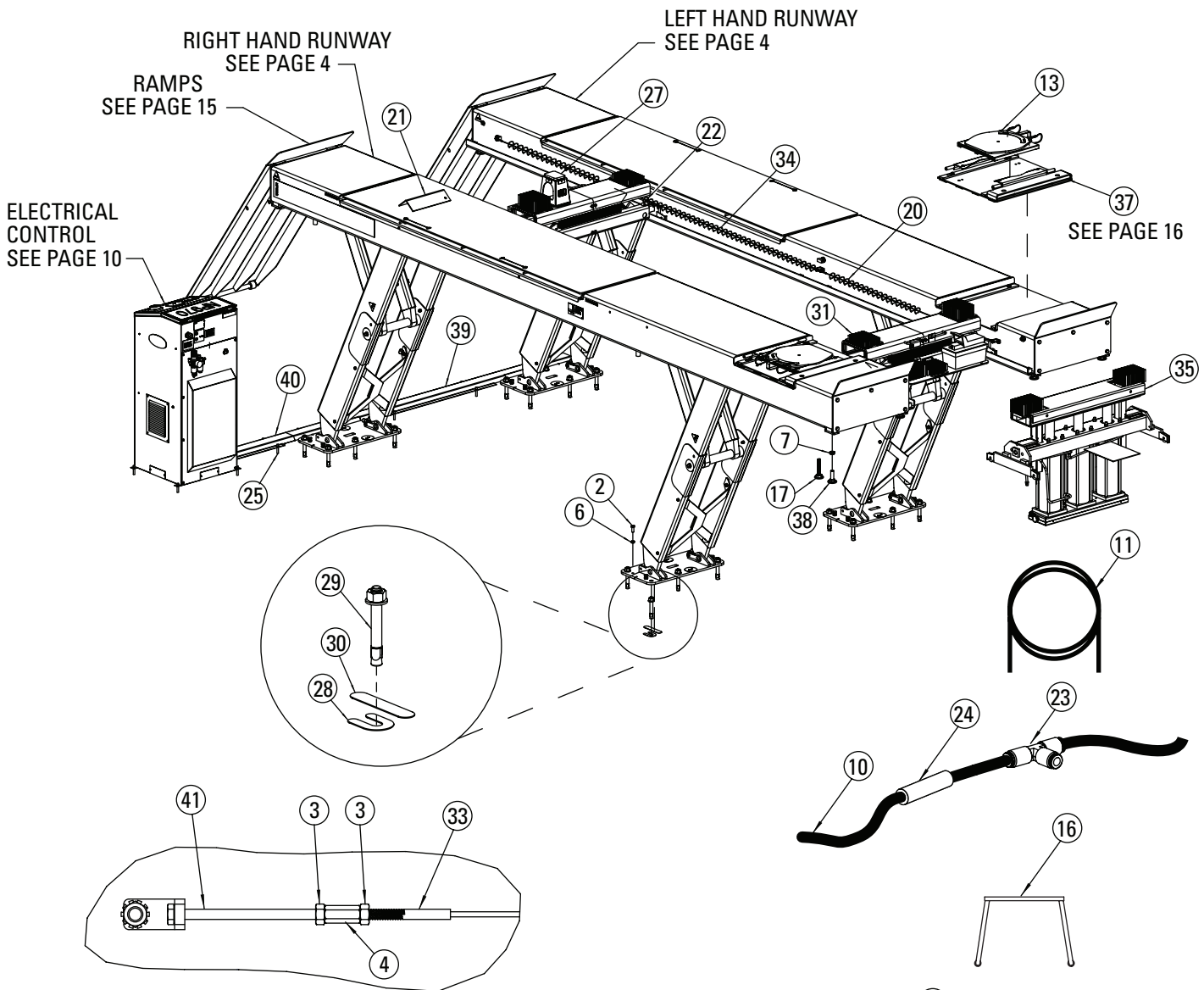
Lift Serial # _____

Lift Model # _____

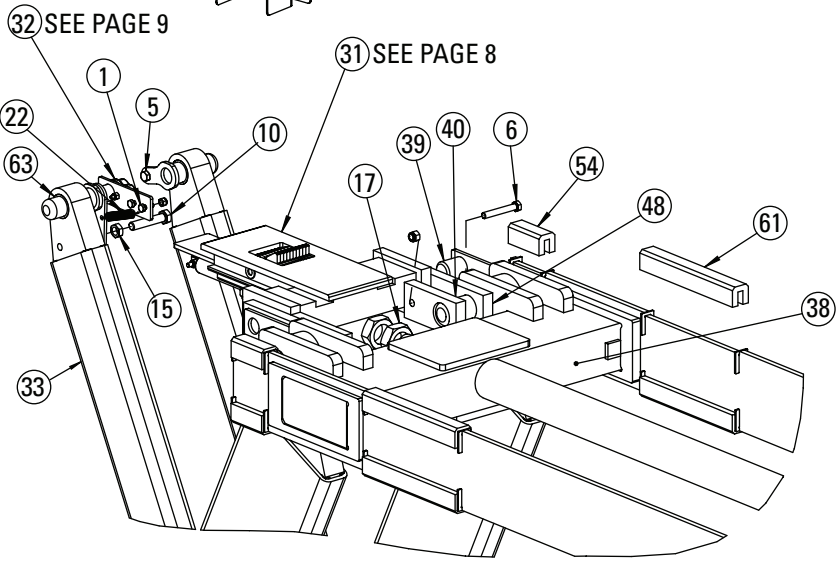
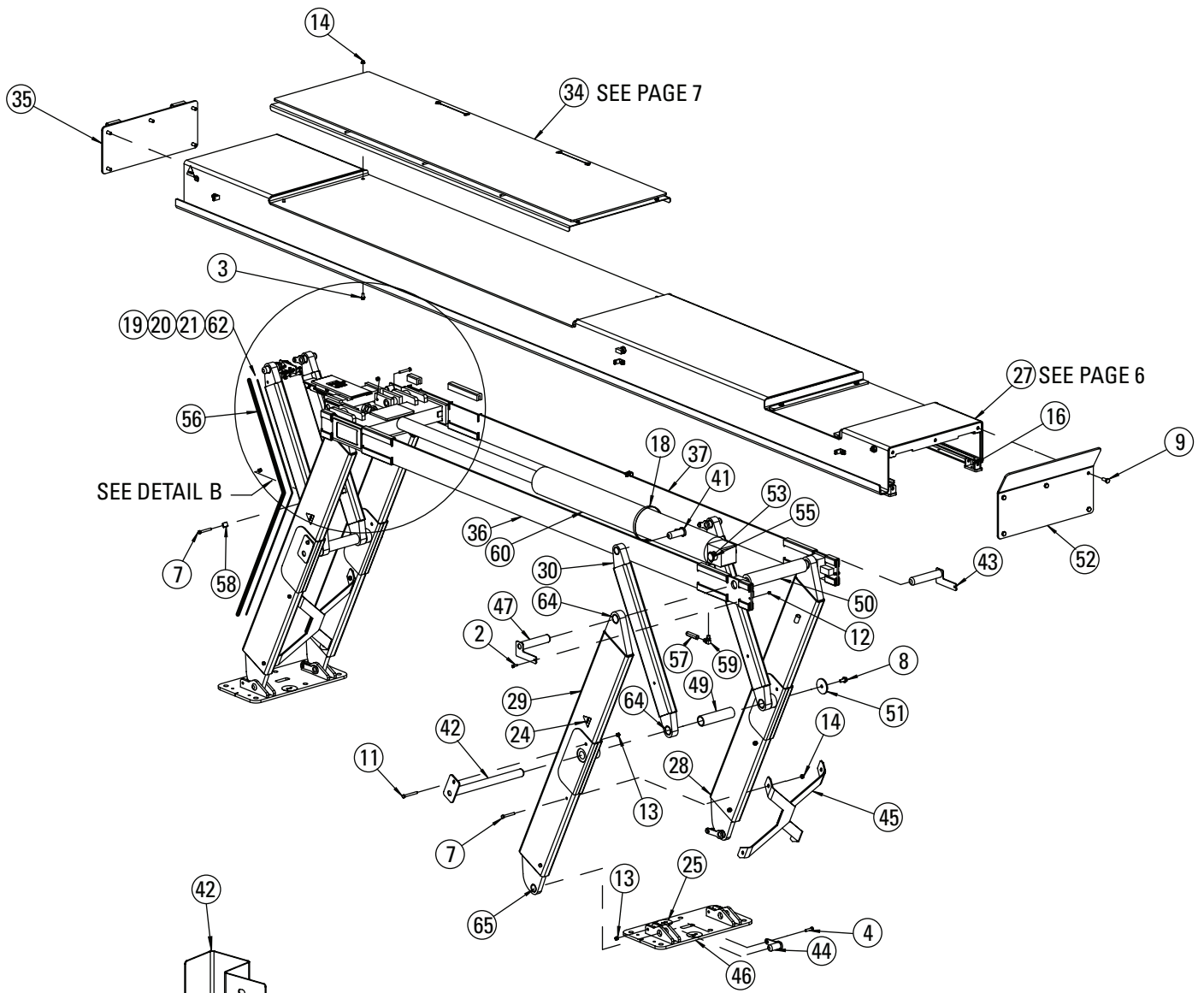
NOTE: For replacement parts -See your nearest Rotary Parts Distributor.

PB2-33-4
Rev. B 1/6/2011

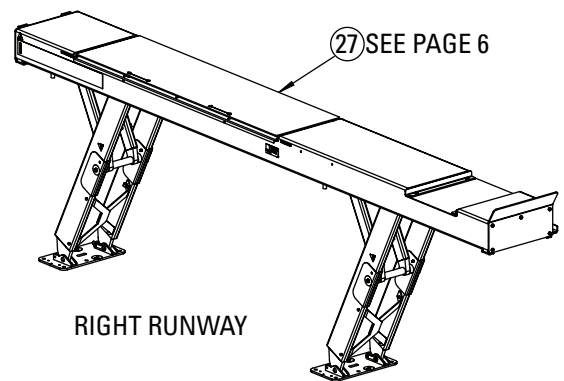




| ITEM | PART NO. | DESCRIPTION |
|------|-----------|--|
| 1 | 40115 | 1/4"-20NC x 1-1/4" Lg HHCS, GRD5 |
| 2 | 40280 | 1/2"-13NC x 1-1/4" Lg HHCS, GRD5 |
| 3 | 40625 | 1/4"-20NC HEX NUT, PLTD |
| 4 | 40626 | 1/4 x 7/8 COUPLING NUT |
| 5 | 40641 | 1/4"-20NC HEX FLGD WZLOCK NUT, PLTD |
| 6 | 40700 | 1/2"-13NC HEX JAM NUT |
| 7 | 40759 | 3/4"-10NC HEX JAM NUT, PLTD |
| 8 | 40811 | #10-24NC HEX NYLON INSERT LOCKNUT |
| 9 | AP00027 | #10-24NC x 3/4" Lg. HEX SHCS |
| 10 | FA2230-2 | TUBE 1/4" X 60' #PPB-43 |
| 11 | FA2230-15 | 3/8 PARAFLEX HOSE-40' LG |
| 12 | NA | NA |
| 13 | FA5157 | CARBON STEEL RADIUS GAUGE |
| | S130205 | STAINLESS STEEL RADIUS GAUGE |
| 14 | FA7188-10 | 3/4" NPT LOCKNUT |
| 15 | FA7189-9 | 3/4" NPT STRAIN RELIEF |
| 16 | FC134-17 | PORTABLE WORK STEP |
| 17 | FC134-36 | ADJUSTMENT SCREW ASSEMBLY (LONG) |
| 18 | FC147-7 | MALE ELBOW |
| 19 | FC147-8 | MALE CONNECTOR |
| 20 | FC147-14 | RECOIL HOSE, 1/4" |
| 21 | FC320 | WHEEL CHOCK |
| 22 | FC5185-71 | TUBING ASSEMBLY |
| 23 | FC5225-46 | UNION TEE |
| 24 | FC5225-98 | 1/4" UNION |
| 25 | FC5388-98 | 3/8" CONCRETE ANCHOR |
| 26 | FC7112 | RUBBER STOP |
| 27 | FJ6205 | 7" PAD LIFT ADAPTER ASSEMBLY |
| 28 | FJ716-6 | NOTCHED SHIM |
| 29 | FJ7380 | 3/4" X 5-1/2" CONCRETE ANCHOR |
| 30 | FJ7659-3 | FRONT SHIM |
| 31 | RJ7000 | 7# ROLLING JACK FOR SM/SMO/AR/AR014 |
| 32 | S130080 | FILTER-REGULATOR-LUBRICATOR |
| 33 | S130159 | AIRLINE RETAINER CABLE (EL1 VERSION) |
| | S130078 | AIRLINE RETAINER CABLE (L VERSION) |
| 34 | S130160 | RECOIL HOSE, 1/4" 15' LENGTH (EL1 VERSION) |
| | FC147-14 | RECOIL HOSE, 1/4" (L VERSION) |
| 35 | SJ6000 | 6000 LB SWING AIR JACK |
| 36 | XS130063 | AIRLINE RETAINER CABLE |
| 37 | Z100005 | 14" x 14" x 1-1/2" TURN-TABLE INSERT KIT (SEE PAGE 16) |
| 38 | Z110021 | ADJUSTMENT SCREW ASSEMBLY (SHORT) |
| 39 | Z130159 | BASEPLATE HOSE COVER |
| 40 | Z130160 | HOSE COVER |
| 41 | 40118 | 1/4"-20NC x 4" HHCS |
| 42 | Z130188 | POSITION SENSOR GUARD |

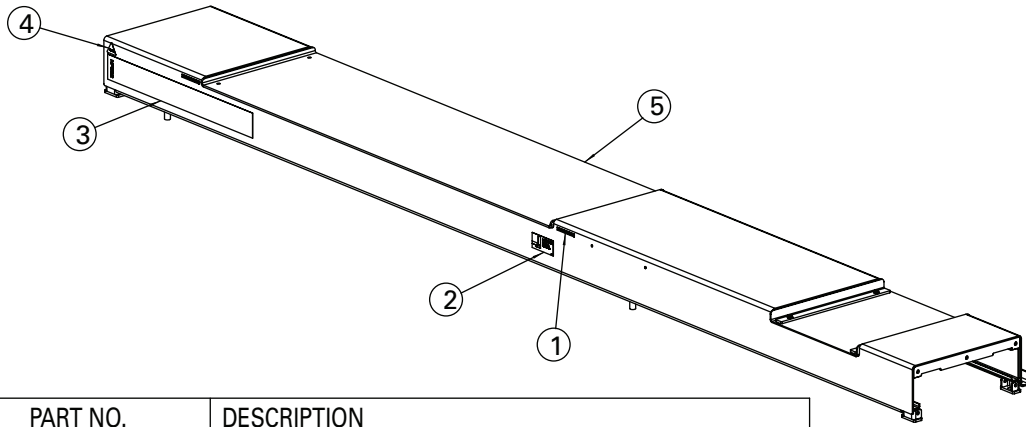


DETAIL B

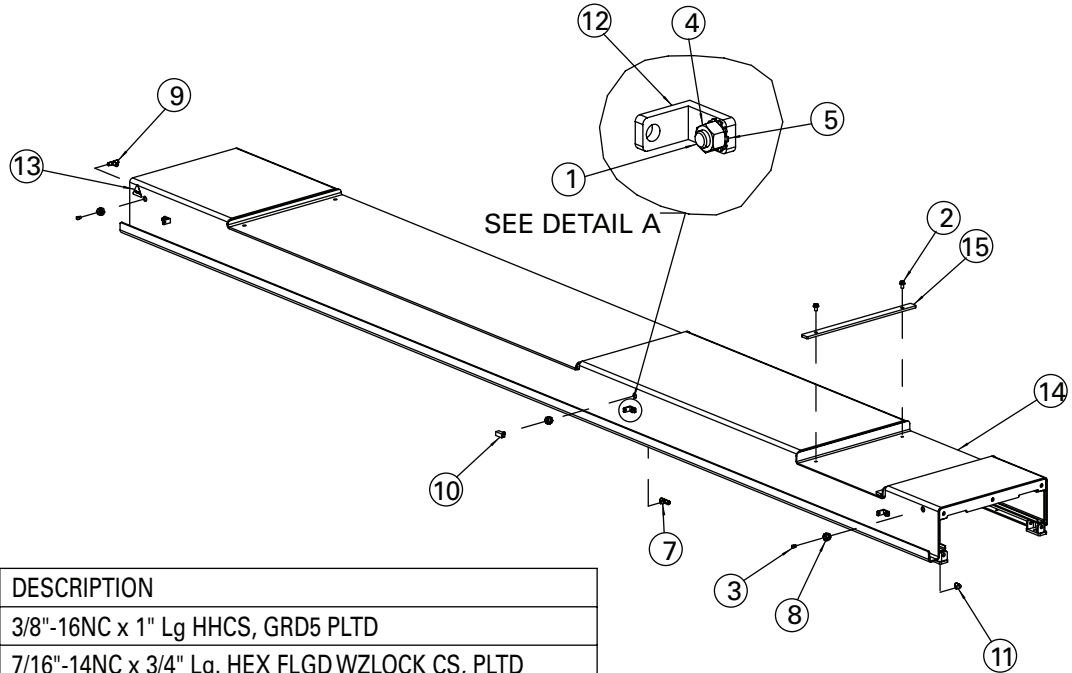


RIGHT RUNWAY

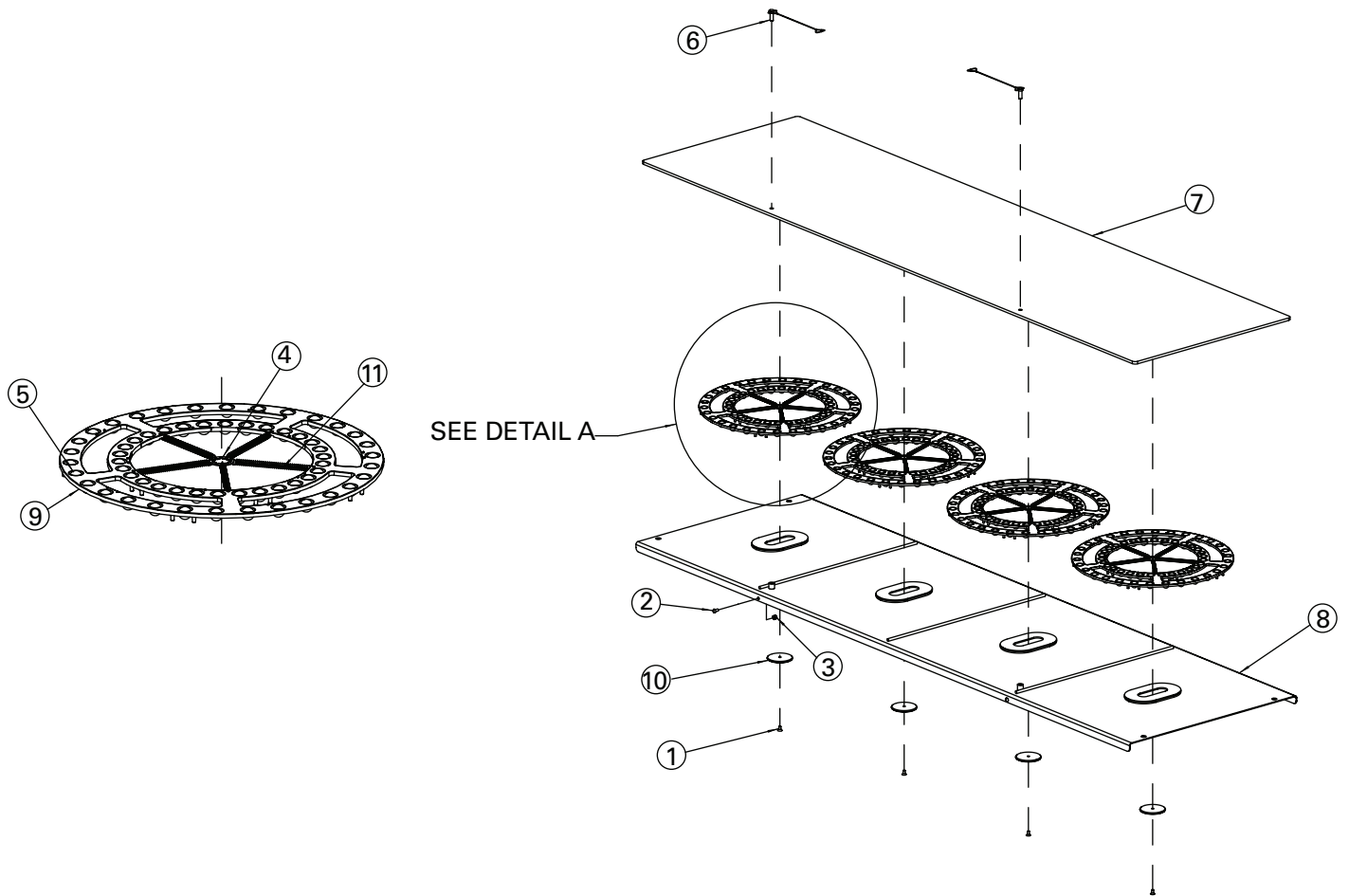
| ITEM | PART NO. | DESCRIPTION |
|------|-----------|--|
| 1 | 40104 | 1/4"-20NC x 3/4" Lg HHCS, GRD5 PLTD |
| 2 | 40108 | 1/4"-20NC x 1" Lg HHCS, GRD5 PLTD |
| 3 | 40124 | 3/8"-16NC x 3/4" Lg. HEX FLGD WZLOCK CS, PLTD |
| 4 | 40201 | 3/8"-16NC x 1-1/2" Lg HHCS, GRD5 PLTD |
| 5 | 40204 | 3/8"-16NC x 1-3/4" Lg HHCS, GRD8 |
| 6 | 40205 | 3/8"-16NC x 2-1/2" Lg HHCS, GRD5 |
| 7 | 40210 | 3/8"-16NC x 2-3/4" Lg HHCS, GRD5 |
| 8 | 40262 | 1/2"-13NC x 1" Lg. HEX FLGD WZLOCK CS, PLTD |
| 9 | 40286 | 1/2"-13NC x 1-1/4" Lg HHCS, GRD5 PLTD |
| 10 | 40728 | 1/2"-13NC x 3" Lg HHCS, GRD5 |
| 11 | 40393 | 3/8"-16NC x 3-1/4" Lg HHCS, GRD5 PLTD |
| 12 | 40642 | 1/4"-20NC HEX NYLON INSERT LOCKNUT |
| 13 | 40657 | 3/8"-16NC HEX NYLON INSERT LOCKNUT |
| 14 | 40664 | 3/8"-16NC HEX FLGD WZLOCK NUT, PLTD |
| 15 | 40700 | 1/2"-13NC HEX JAM NUT |
| 16 | 40707 | 1/2"-13NC HEX NYLON INSERT LOCKNUT |
| 17 | 41104 | 1-1/4"-7NC HEX JAM NUT |
| 18 | 991082 | 5/16" WIDE x 21" LONG BLACK WIRE TIE |
| 19 | AP00192 | 3/8 SPIRAL WRAP |
| 20 | FA2230-2 | TUBE 1/4" X 60' #PPB-43 |
| 21 | FA2230-15 | 3/8 PARAFLEX HOSE-40' LG |
| 22 | FC522-25 | SPRING |
| 23 | NP765 | LABEL C1 (NOT SHOWN) |
| | NP766 | LABEL C2 (NOT SHOWN) |
| 24 | NP945 | KEEP CLEAR OF PINCH POINTS WARNING NAMEPLATE |
| 25 | NP946 | DO NOT USE ANCHOR HOLE WARNING NAMEPLATE |
| 26 | NP954 | INTRINSICALLY SAFE NAMEPLATE (NOT SHOWN) |
| 27 | Z110003 | LEFT RUNWAY ASSEMBLY (EL1 VERSION) (SEE PAGE 6) |
| | Z110032 | LEFT RUNWAY ASSEMBLY (L VERSION) (SEE PAGE 6) |
| | Z110004 | RIGHT RUNWAY ASSEMBLY (EL1 VERSION) (SEE PAGE 6) |
| | Z110033 | RIGHT RUNWAY ASSEMBLY (L VERSION) (SEE PAGE 6) |
| 28 | Z110007 | LEFT LEG ASSEMBLY |
| 29 | Z110008 | RIGHT LEG ASSEMBLY |
| 30 | Z110011 | LIFT ARM ASSEMBLY |
| 31 | Z110012 | LOCK CARRIAGE ASSEMBLY (SEE PAGE 8) |
| 32 | Z110024 | POSITION SENSOR ASSEMBLY (SEE PAGE 9) |
| 33 | Z110025 | ARM ASSY - SENSOR |
| 34 | Z110027 | REAR SLIP PLATE ASSEMBLY (SEE PAGE 7) |
| 35 | Z120003 | RUNWAY ENDPLATE WELD |
| 36 | Z120017 | RIGHT SLIDE BEAM WELD |
| 37 | Z120018 | LEFT SLIDE BEAM WELD |
| 38 | Z120019 | HYD CYLINDER ROD MOUNT WELD |
| 39 | Z120021 | LOCK DRAG LINK PIN WELD |
| 40 | Z120022 | LOCK SLIDER PIN WELD |
| 41 | Z120023 | UPPER PIN WELD |
| 42 | Z120024 | CENTER PIN WELD |
| 43 | Z120025 | LEFT FRONT UPPER PIN WELD |
| 44 | Z120026 | LOWER PIN WELD |
| 45 | Z120048 | LEG REINFORCEMENT WELD |
| 46 | Z120049 | BASEPLATE WELD |
| 47 | Z120050 | RIGHT FRONT UPPER PIN WELD |
| 48 | Z130037 | LOCK DRAG LINK |
| 49 | Z130052 | CENTER PIN SPACER TUBE |
| 50 | Z130054 | FRONT UPPER PIN SPACER TUBE |
| 51 | Z130064 | LEG SUPPORT PLATE |
| 52 | Z120079 | FRONT WHEEL STOP |
| 53 | Z130128 | HYD CYLINDER PIN |
| 54 | Z140005 | SLIDERS |
| 55 | Z140008 | HYD CYLINDER PIN RETAINER |
| 56 | Z140016 | HYDRAULIC HOSE |
| 57 | Z140023 | VELOCITY FUSE |
| 58 | Z140034 | HOSE CLAMP |
| 59 | Z140035 | SAE#6 ELBOW FITTING |
| 60 | Z140039Y | HYDRAULIC CYLINDER |
| 61 | Z140051 | LONG SLIDER |
| 62 | Z150044 | SENSOR HARNESS |
| 63 | Z140002 | 1-1/4" BEARING |
| 64 | Z140003 | 1-1/2" BEARING |
| 65 | Z140007 | SHORT 1-1/4" BEARING |



| ITEM | PART NO. | DESCRIPTION |
|------|----------|---|
| 1 | NP152 | NAMEPLATE |
| 2 | NP253 | FOOT WARNING DECAL |
| 3 | NP592 | ROTARY DECAL |
| 4 | NP944 | HAND CRUSH/FORCE FROM ABOVE WARNING LABEL |
| 5 | Z120002 | RIGHT RUNWAY WELDMENT (EL1 VERSION) |
| | Z120071 | RIGHT RUNWAY WELDMENT (L VERSION) |



| ITEM | PART NO. | DESCRIPTION |
|------|-----------|--|
| 1 | 40139 | 3/8"-16NC x 1" Lg HHCS, GRD5 PLTD |
| 2 | 40320 | 7/16"-14NC x 3/4" Lg. HEX FLGD WZLOCK CS, PLTD |
| 3 | 40639 | 1/4" HEX PLUG |
| 4 | 40660 | 3/8"-16NC HEX NUT |
| 5 | 40845 | 3/8" EXTTOOTH LW, PLTD |
| 6 | FA2230-15 | 3/8 PARAFLEX HOSE-40' LG |
| 7 | FA7184-5 | MALE BRANCH TEE - 1/4" NPTTO 3/8" TUBE |
| 8 | FC147-1 | FEMALE BULKHEAD |
| 9 | FC147-3 | MALE RUNTEE |
| 10 | FC147-5 | MALE BRANCHTEE |
| 11 | FC147-7 | MALE ELBOW |
| 12 | FC147-9 | RETAINER BRACKET |
| 13 | NP944 | HAND CRUSH/FORCE FROM ABOVE WARNING LABEL |
| 14 | Z120001 | LEFT RUNWAY WELDMENT (EL1 VERSION) |
| | Z120070 | LEFT RUNWAY WELDMENT (L VERSION) |
| 15 | Z130032 | RUNWAY GUIDE BAR |

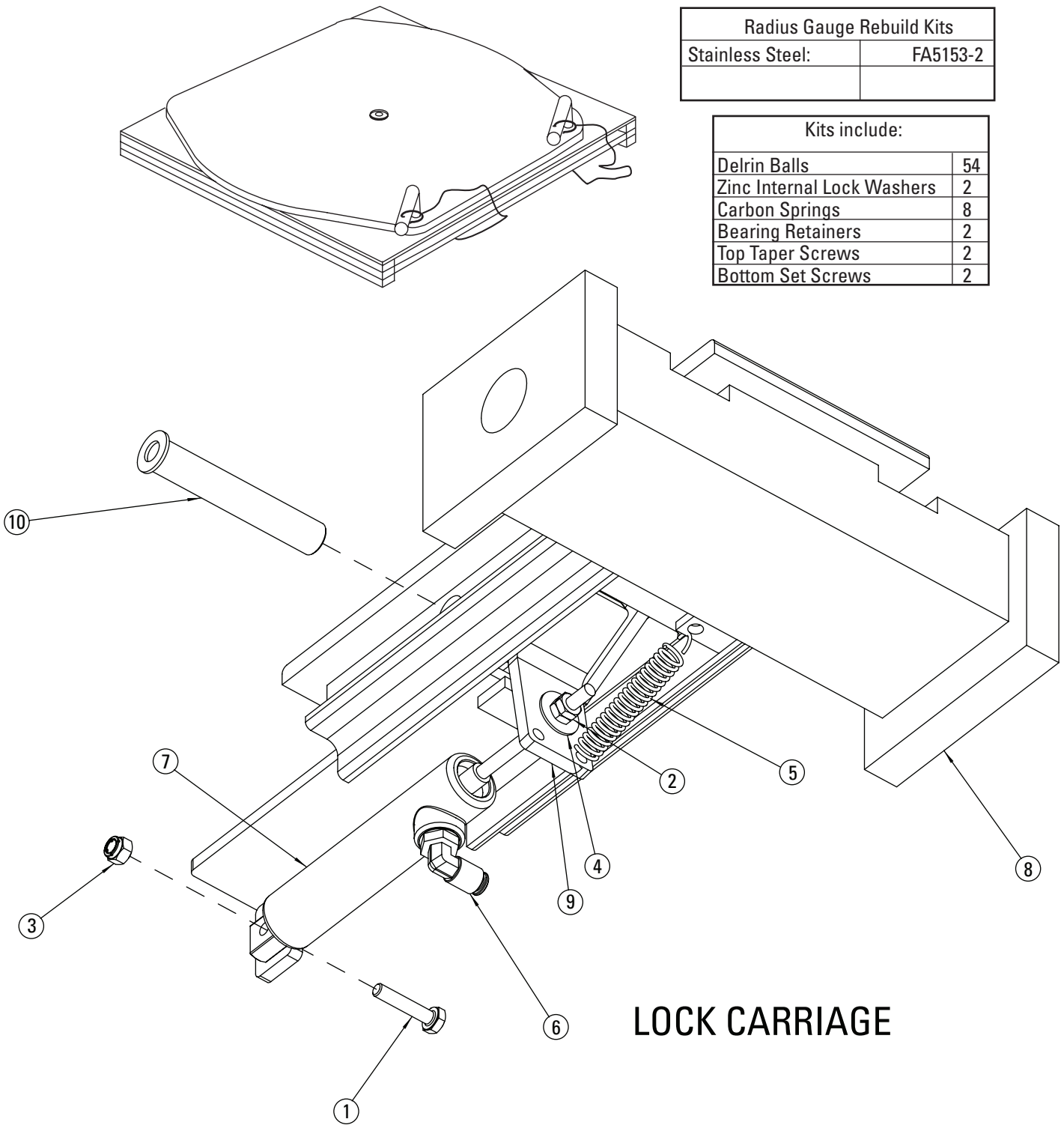


REAR SLIP PLATE

| ITEM | PART NO. | DESCRIPTION |
|------|-----------|--|
| 1 | 40065 | 1/4"-20NC X 1/2" FLAT HEAD SHCS, PLATED |
| 2 | 40068 | 1/4"-20NC x 1/2" Lg. SLOTTED RHMS |
| 3 | 40642 | 1/4"-20NC HEX NYLON INSERT LOCKNUT |
| 4 | 40868 | 7/8" INT TOOTH LW, PLTD |
| 5 | FC5190-7 | SLIP PLATE BALL |
| 6 | Z110028 | REAR SLIP PLATE LOCK PIN ASSY |
| 7 | Z120058 | REAR SLIP PLATE WELD |
| 8 | Z120059 | REAR SLIP PLATE BASE PLATE WELD |
| 9 | Z140036-1 | REAR SLIP PLATE BALL RETAINER - 24" RUNWAY |
| 10 | Z140037 | REAR SLIP PLATE RETAINER PLATE |
| 11 | Z140038 | REAR SLIP PLATE RETAINER SPRING |
| | Z110011 | REAR SLIP PLATE REFURBISH KIT |

| Radius Gauge Rebuild Kits | |
|---------------------------|----------|
| Stainless Steel: | FA5153-2 |
| | |

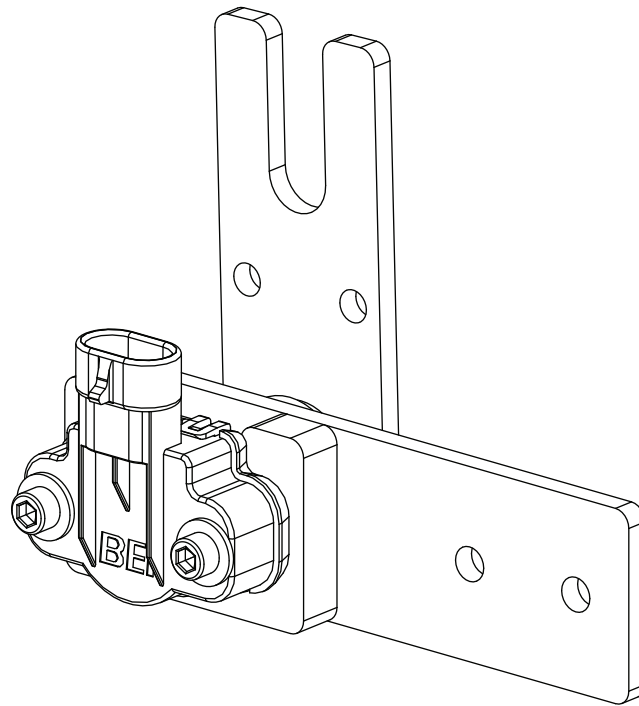
| Kits include: | |
|----------------------------|----|
| Delrin Balls | 54 |
| Zinc Internal Lock Washers | 2 |
| Carbon Springs | 8 |
| Bearing Retainers | 2 |
| Top Taper Screws | 2 |
| Bottom Set Screws | 2 |



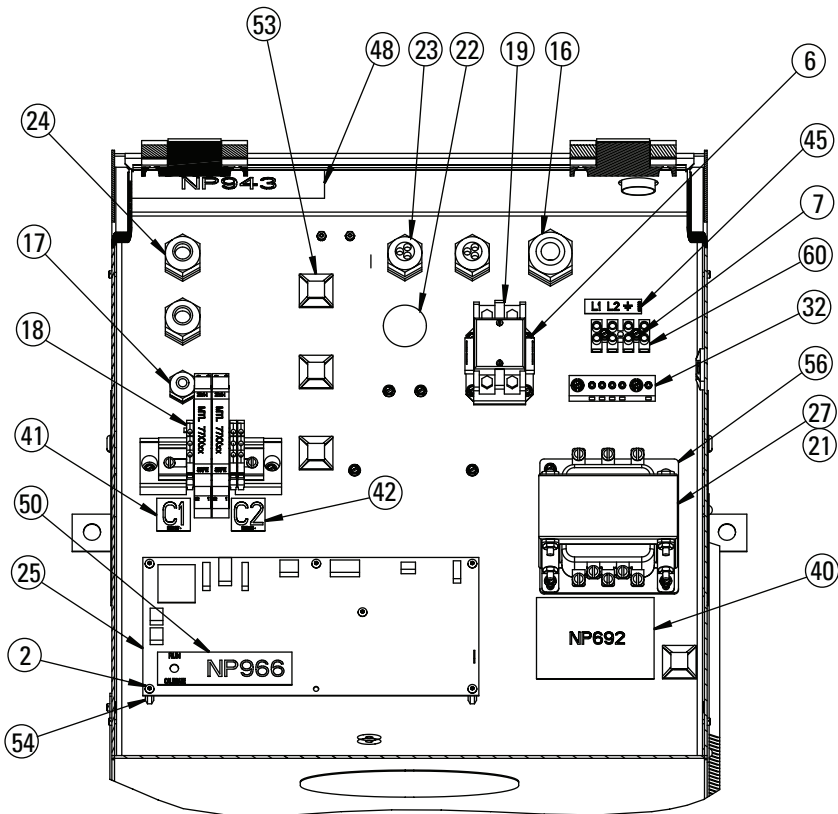
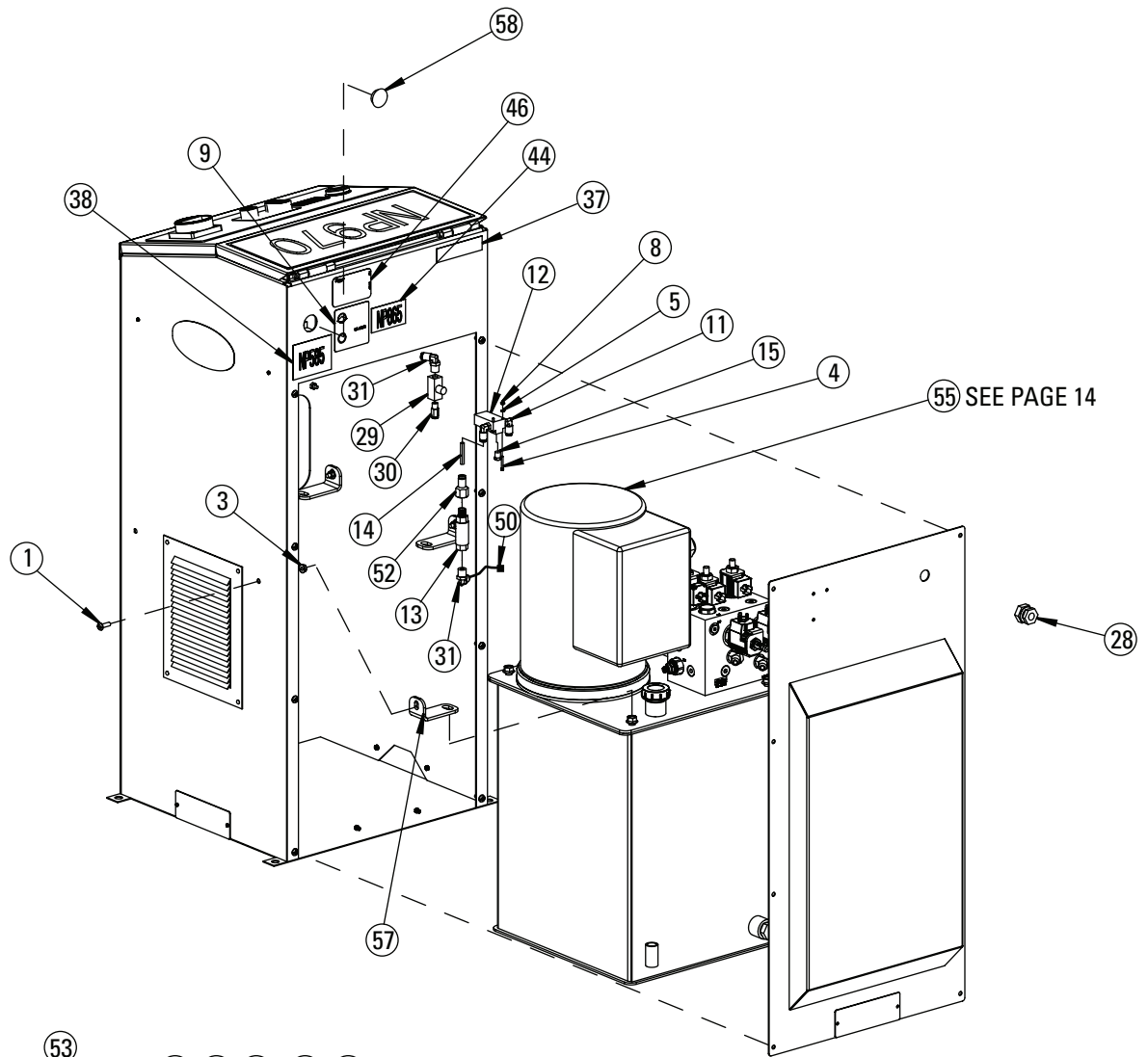
LOCK CARRIAGE

| ITEM | PART NO. | DESCRIPTION |
|------|-----------|--|
| 1 | 40115 | 1/4"-20NC x 1-1/4" Lg HHCS, GRD5 |
| 2 | 40622 | 1/4"-28NF HEX JAM NUT |
| 3 | 40642 | 1/4"-20NC HEX NYLON INSERT LOCKNUT |
| 4 | 41076 | 17/64"ID x 7/8"OD x 3/64" THK WASHER, PLTD |
| 5 | FC522-25 | SPRING |
| 6 | FC5341-90 | MALE ELBOW CONNECTOR |
| 7 | T140062 | AIR CYLINDER |
| 8 | Z120020 | LOCK CARRIAGE WELD |
| 9 | Z120027 | LOCK DOG WELD |
| 10 | Z120073 | LOCK DOG PIN WELD |

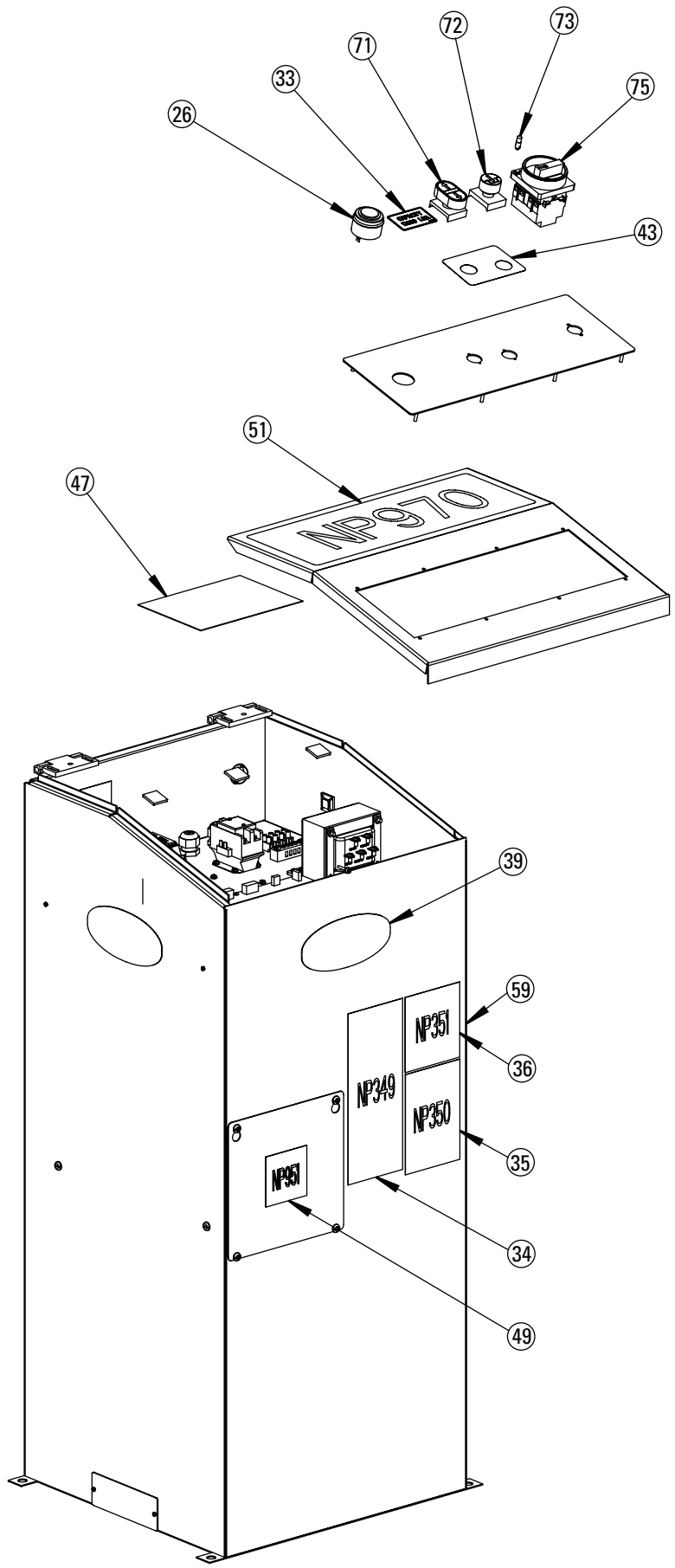
POSITION SENSOR



**Must Be Ordered /Replaced As An Assembly
Order Position Sensor Kit Z100032**



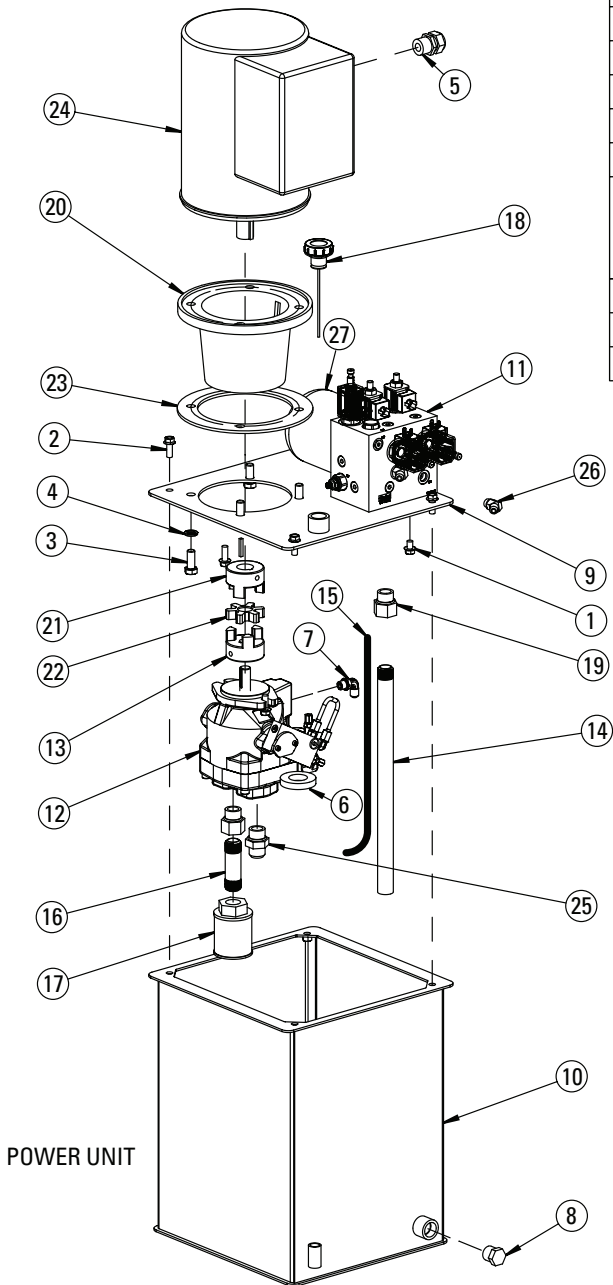
ELECTRICAL CONTROL

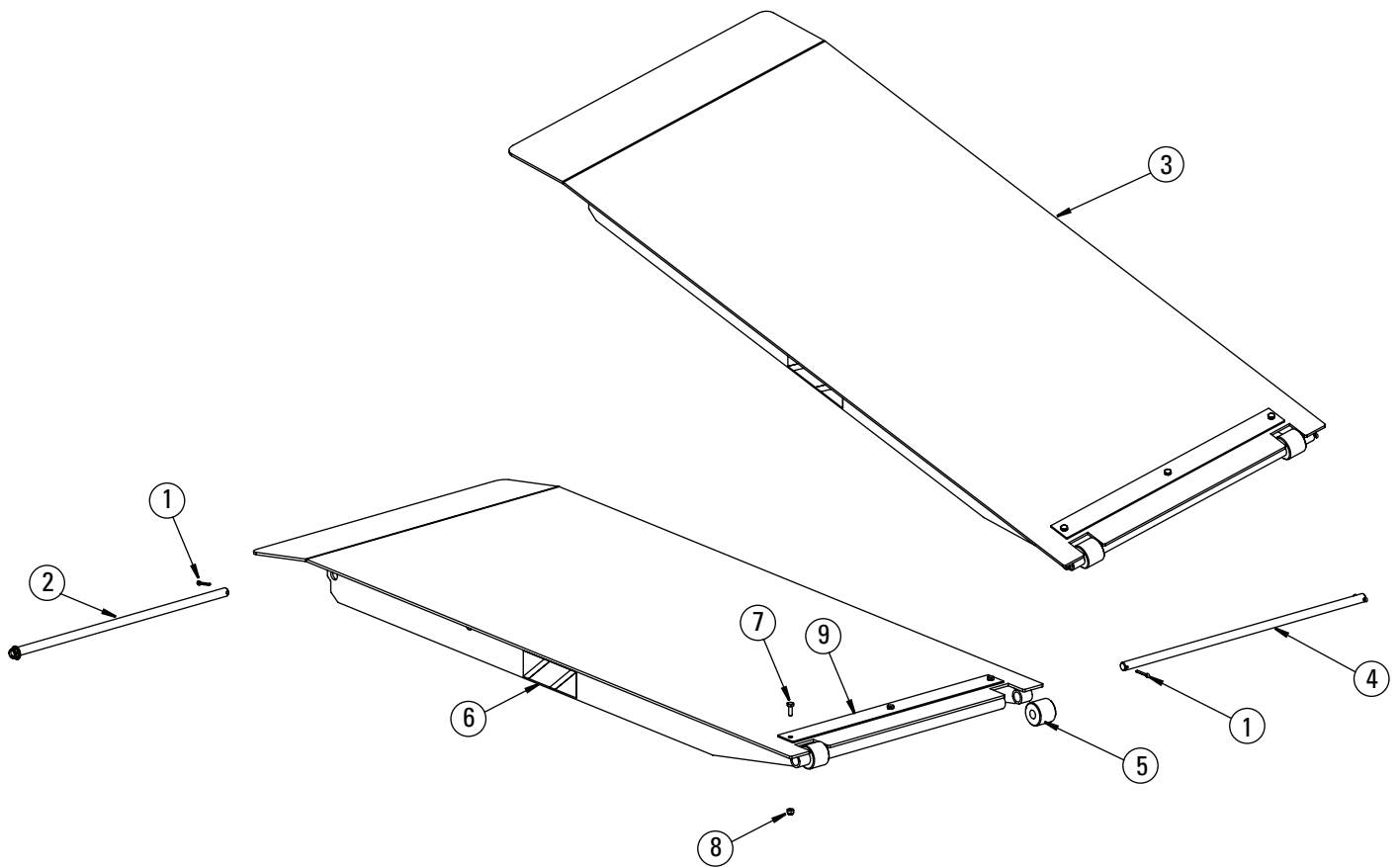


| ITEM | PART NO. | DESCRIPTION |
|------|-----------|---|
| 1 | 40075 | 1/4"-20NC x 3/4" Lg. SLOTTED PHMS |
| 2 | 40177 | #6-32NC x 1/4" Lg. BHCS |
| 3 | 40641 | 1/4"-20NC HEX FLGD WZLOCK NUT, PLTD |
| 4 | 41465 | #4-40NC x 7/8" Lg. HEX SHCS |
| 5 | 41466 | #4 EXT TOOTH LW, PLTD |
| 6 | 41470 | #8-32 x 1/4" Lg. HEX WHSFTS, PLTD |
| 7 | 41476 | #8-32 x 5/8" Lg. HEX WHSFTS, PLTD |
| 8 | 41547 | #4-40 NUT |
| 9 | ALI-ETL | NAMEPLATE |
| 10 | AP00192 | 3/8 SPIRAL WRAP (NOT SHOWN) |
| 11 | FA3134-6 | MALE ELBOW CONNECTOR |
| 12 | FA7184-4 | LATCH AIR VALVE |
| 13 | FA7184-11 | IN-LINE REGULATOR - 1/4" NPT |
| 14 | FA7186-3 | 1/4" FLEXIBLE NYLON TUBING x 1-1/2" LG. |
| 15 | FA7189-5 | 1/8" NPT BRASS FILTER |
| 16 | FA7189-9 | 3/4" NPT STRAIN RELIEF |
| 17 | FA7189-14 | 3/8" NPT STRAIN RELIEF |
| 18 | FA7628 | ZERO-SCISSOR BARRIER KIT |
| 19 | FA7652 | CONTACTOR |
| 20 | NA | NA |
| 21 | FA7939 | TRANSFORMER SECONDARY ADAPTER HARNESS (H16) |
| 22 | FA7958-10 | 7/8" HOLE PLUG |
| 23 | FA7958-14 | 1/2"NPT 3 HOLE CORD GRIP |
| 24 | FA7958-28 | CORD GRIP |
| 25 | FA7965 | CONTROL BOARD |
| 26 | FA7974 | AUDIBLE SIGNAL DEVICE |
| 27 | FA7990 | TRANSFORMER |
| 28 | FC147-1 | FEMALE BULKHEAD |
| 29 | FC147-5 | MALE BRANCH TEE |
| 30 | FC147-8 | MALE CONNECTOR |
| 31 | FC5341-90 | MALE ELBOW CONNECTOR |
| 32 | MC130027 | GROUND BAR |
| 33 | NP243 | DECAL - 12000 LBS CAP |
| 34 | NP349 | ALI/WL200W LABEL |
| 35 | NP350 | ALI/WL200S LABEL |
| 36 | NP351 | ALI/WL200C LABEL |
| 37 | NP470 | MOTOR LOCATION WARNING LABEL |
| 38 | NP585 | MULTIPLE POWER SOURCE LABEL |
| 39 | NP607 | NAMEPLATE |
| 40 | NP692 | NAMEPLATE |
| 41 | NP765 | C1 LABEL |
| 42 | NP766 | C2 LABEL |
| 43 | NP797 | 2P BUTTON LABEL |
| 44 | NP865 | NAMEPLATE |
| 45 | NP929 | NAMEPLATE |
| 46 | NP93 | NAMEPLATE |
| 47 | NP942 | SINGLE PHASE ELECTRICAL SCHEMATIC NAMEPLATE |
| 48 | NP943 | NAMEPLATE |
| 49 | NP951 | OIL FILTER REPLACEMENT NAMEPLATE |
| 50 | NP966 | CALIBRATION LABEL |

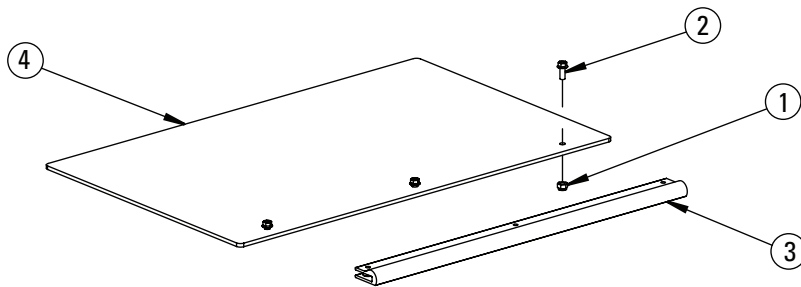
| | | |
|----|----------|---|
| 51 | NP970 | NAMEPLATE |
| 52 | T140081 | FEMALE CONNECTOR |
| 53 | XS130094 | WIRE TIE DOWN |
| 54 | XS130097 | FEMALE THD STAND OFF #6-32 x 1-1/4 Lg. MMC #91780A760 |
| 55 | Z110018 | SINGLE PHASE POWER UNIT (SEE PAGE 14) |
| | Z110034 | THREE PHASE POWER UNIT |
| | Z110035 | THREE PHASE POWER UNIT (575V) |
| 56 | Z120074 | TRANSFORMER MOUNTING PLATE WELD |
| 57 | Z130108 | POWER UNIT MOUNTING BRACKET |
| 58 | Z140046 | 1-3/16" HOLE PLUG |
| 59 | Z150003 | CONTROL CABINET |
| 60 | Z150031 | 4-POLE TERMINAL |
| 61 | Z150033 | ACTUATOR HARNESS (NOT SHOWN - SEE ELECTRICAL SCHEMATIC) |
| 62 | Z150034 | VALVE HARNESS (NOT SHOWN - SEE ELECTRICAL SCHEMATIC) |
| 63 | Z150035 | VALVE HARNESS (NOT SHOWN - SEE ELECTRICAL SCHEMATIC) |
| 64 | Z150036 | TB4 HARNESS (NOT SHOWN - SEE ELECTRICAL SCHEMATIC) |
| 65 | Z150038 | E-STOP BYPASS HARNESS (NOT SHOWN - SEE ELECTRICAL SCHEMATIC) |
| 66 | Z150039 | 24V POWER HARNESS (NOT SHOWN - SEE ELECTRICAL SCHEMATIC) |
| 67 | Z150040 | HI GROUND CABLE (NOT SHOWN - SEE ELECTRICAL SCHEMATIC) |
| 68 | Z150041 | DISCONNECT-CONTACTOR HARNESS (NOT SHOWN - SEE ELECTRICAL SCHEMATIC) |
| 69 | Z150042 | POWER HARNESS (NOT SHOWN - SEE ELECTRICAL SCHEMATIC) |
| | Z150056 | THREE PHASE POWER HARNESS (NOT SHOWN - SEE ELECTRICAL SCHEMATIC) |
| 70 | Z150043 | MOTOR CABLE (NOT SHOWN - SEE ELECTRICAL SCHEMATIC) |
| | Z150057 | THREE PHASE MOTOR CABLE (NOT SHOWN - SEE ELECTRICAL SCHEMATIC) |
| 71 | Z150047 | DUAL PUSH BUTTON |
| 72 | Z150048 | ILLUMINATED SINGLE PUSH BUTTON |
| 73 | Z150049 | 6V LAMP |
| 74 | Z150050 | AIRLINE TUBING |
| 75 | Z150051 | DISCONNECT SWITCH W/HANDLE |

| ITEM | PART NO. | DESCRIPTION |
|------|----------|---|
| 1 | 40129 | 3/8"-16NC x 1/2" Lg. HEX FLGD WZLOCK CS, PLTD |
| 2 | 40144 | 3/8"-16NC x 1" Lg. HEX FLGD WZLOCK CS, PLTD |
| 3 | 40286 | 1/2"-13NC x 1-1/4" Lg HHCS, GRD5 PLTD |
| 4 | 40915 | 1/2" HELICAL SPRING LW, PLTD |
| 5 | FA7189-9 | 3/4" NPT STRAIN RELIEF |
| 6 | FC756-1 | MAGNET |
| 7 | FJ7224 | ELBOW ADAPTER |
| 8 | XS130044 | DRAIN PLUG |
| 9 | Z120038 | HYD TANK COVER WELD |
| 10 | Z120039 | HYD TANK WELD |
| 11 | Z140009 | POWER UNIT MANIFOLD |
| 12 | Z140010 | POWER UNIT HYD PUMP |
| 13 | Z140011 | PUMP COUPLING |
| 14 | Z140013 | RETURN LINE |
| 15 | Z140015 | PUMP/MANIFOLD HOSE |
| 16 | Z140017 | SUCTION TUBE |
| 17 | Z140019 | SUCTION STRAINER |
| 18 | Z140024 | CAP W/DIPSTICK |
| 19 | Z140028 | SAE#12 x 3/4 NPT FITTING |
| 20 | Z140040 | PUMP MOUNT ADAPTER |
| 21 | Z140041 | MOTOR COUPLING |
| 22 | Z140042 | COUPLING SPIDER |
| 23 | Z140043 | MOUNT ADAPTER GASKET |
| 24 | Z140044 | SINGLE PHASE MOTOR |
| | Z140052 | THREE PHASE MOTOR |
| | Z140053 | THREE PHASE MOTOR (575V) |
| 25 | Z140045 | SAE#12 O-RING x JIC FITTING |
| 26 | Z140049 | 45 DEGREE ADAPTER |
| 27 | Z140057 | FILTER |

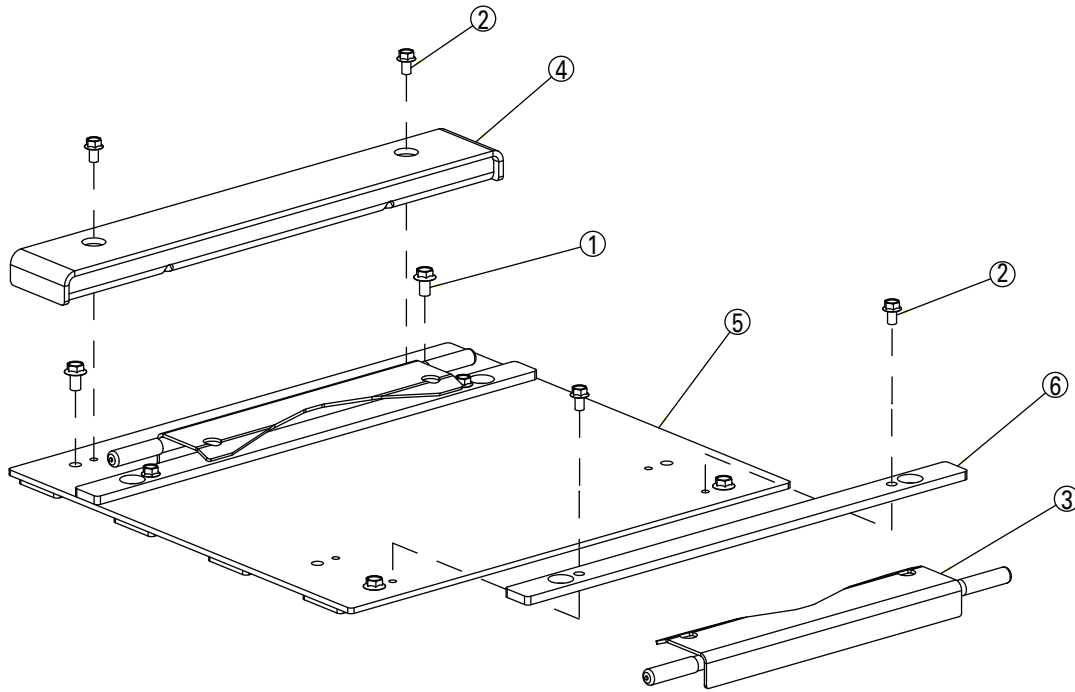




| ITEM | PART NO. | DESCRIPTION |
|------|----------|--|
| 1 | 41202 | 5/32" x 1" Lg COTTER PIN |
| 2 | FC134-99 | HINGE PIN |
| 3 | Z110019 | STANDARD RAMP ASSEMBLY |
| | Z110020 | EXTENDED RAMP ASSEMBLY |
| 4 | Z130100 | ROLLER SHAFT |
| 5 | Z140014 | RAMP ROLLER |
| 6 | N220-3 | TRAFFIC TAPE |
| 7 | 40104 | 1/4" -20NC x 3/4" Lg HHCS GRADE 2 PLATED |
| 8 | 40642 | 1/4" -20NC HEX NYLON INSERT LOCKNUT |
| 9 | Z130192 | RAMP CAUTION STRIP |



| ITEM | PART NO. | DESCRIPTION |
|------|----------|--|
| 1 | 40642 | 1/4" -20NC HEX NYLON INSERT LOCKNUT |
| 2 | 42000 | 1/4" -20NC x 5/8" Lg. HEX FLGD WZLOCK CS, PLTD |
| 3 | FC327-4 | RAMP CHOCK SLIDE |
| 4 | Z120044 | FLUSH RAMP WELD |



14" x 14" x 1-1/2" TURN-TABLE INSERT

| ITEM | PART NO. | DESCRIPTION |
|------|----------|---|
| 1 | 40320 | 7/16"-14NC x 3/4" Lg. HEX FLGD WZLOCK CS, PLTD |
| 2 | 40386 | 3/8"-16NC x 5/8" Lg. HEX FLGD WZLOCK CS, PLTD, GRD5 |
| 3 | FC7117 | ROLL BACK FILLER |
| 4 | Z120016 | RUNWAY FILLER WELD |
| 5 | Z120069 | TURN-TABLE INSERT WELD |
| 6 | Z130158 | TURN-TABLE GUIDE BAR |

Rotary World Headquarters
 2700 Lanier Drive
 Madison, IN 47250, USA
www.rotarylif.com

North America Contact Information

Tech. Support:
 p 800.445.5438
 f 800.578.5438
 e userlink@rotarylif.com
 Sales:
 p 800.640.5438
 f 800.578.5438
 e userlink@rotarylif.com

World Wide Contact Information

World Headquarters/USA: 1.812.273.1622
 Canada: 1.905.812.9920
 European Headquarters/Germany: +49.771.9233.0
 United Kingdom: +44.178.747.7711
 Australasia: +60.3.7660.0285
 Latin America / Caribbean: +54.3488.431.608
 Middle East / Northern Africa: +49.771.9233.0

© Vehicle Service GroupSM

Printed in U.S.A., All Rights Reserved. Unless otherwise indicated, ROTARY, and all other trademarks are property of Dover Corporation and its affiliates.

