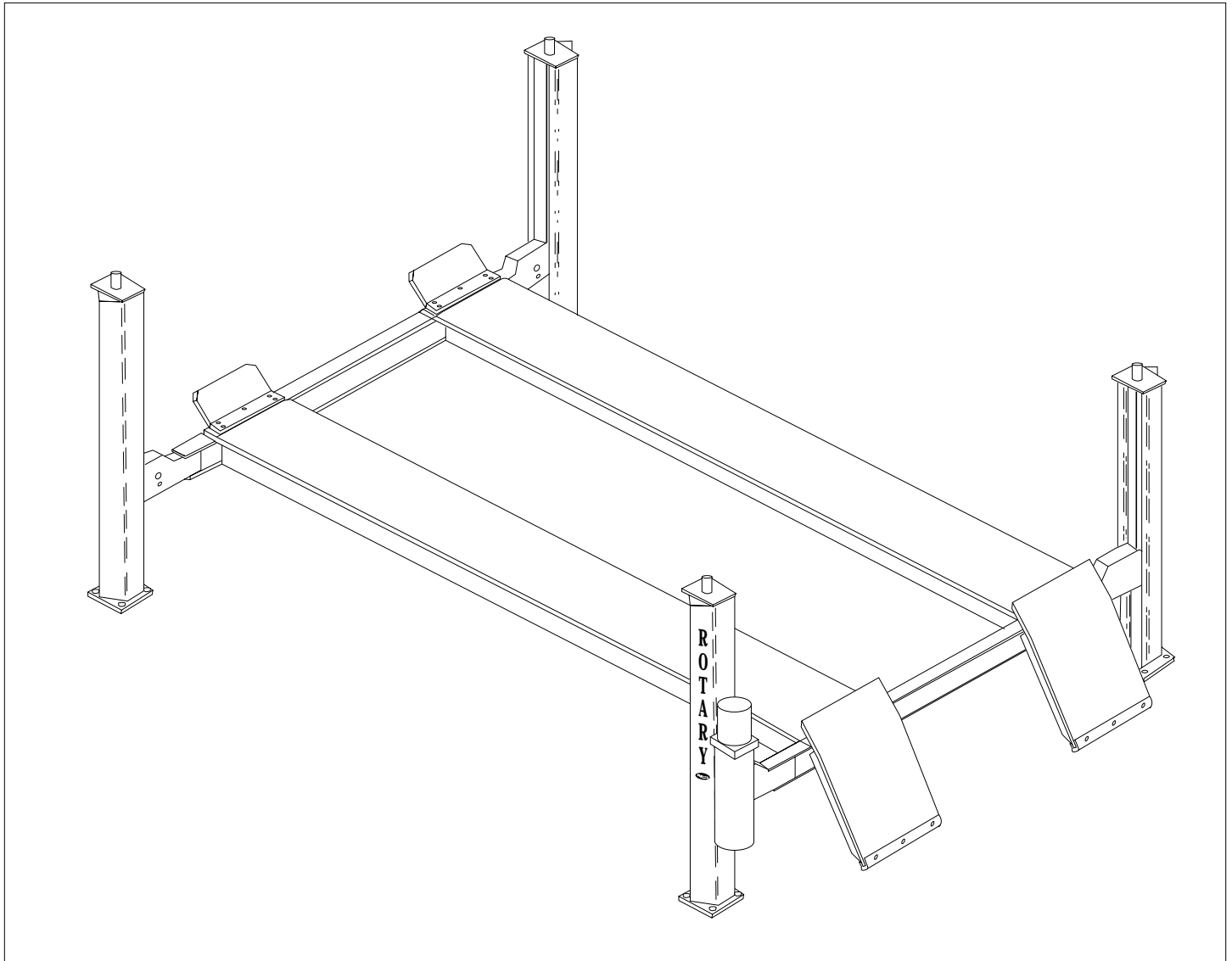




World Leader in Lift Systems

# MODEL RFL25

## PARTS BREAKDOWN



**IMPORTANT:** When ordering parts or requesting service, always give exact model and power unit serial number. Model number is shown on nameplate attached to power unit column. Power unit serial number is located on side of reservoir.

**NOTES:**

**OWNER'S RECORD**

Complete information at right and keep in a safe place.

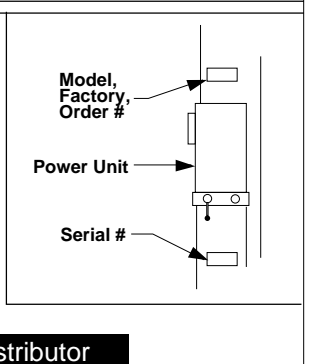
Date Installed \_\_\_\_ / \_\_\_\_ / \_\_\_\_

Installed in Bay # \_\_\_\_\_

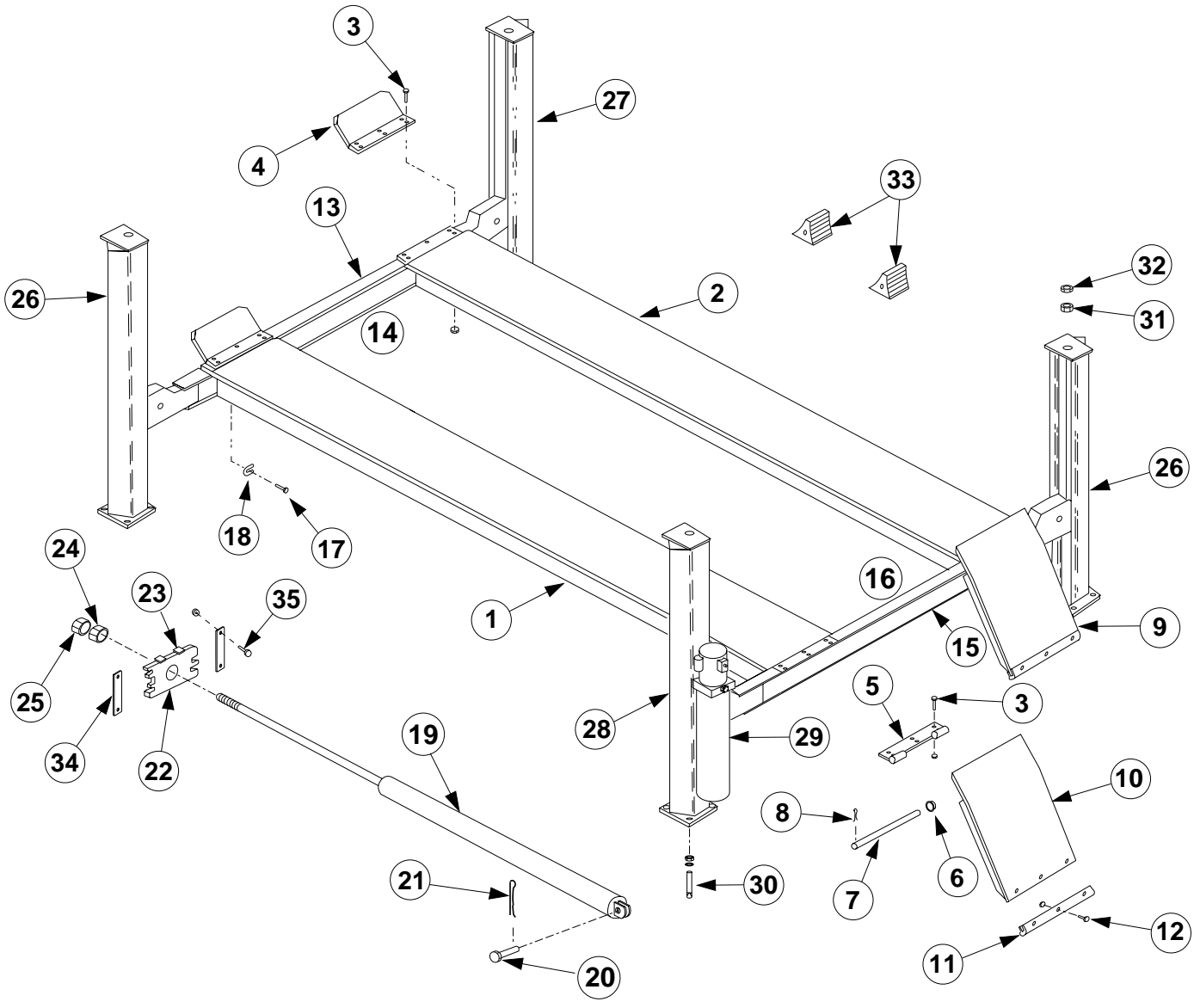
Std Serial # \_\_\_\_\_

3 ph. Serial # \_\_\_\_\_

Factory Order # \_\_\_\_\_

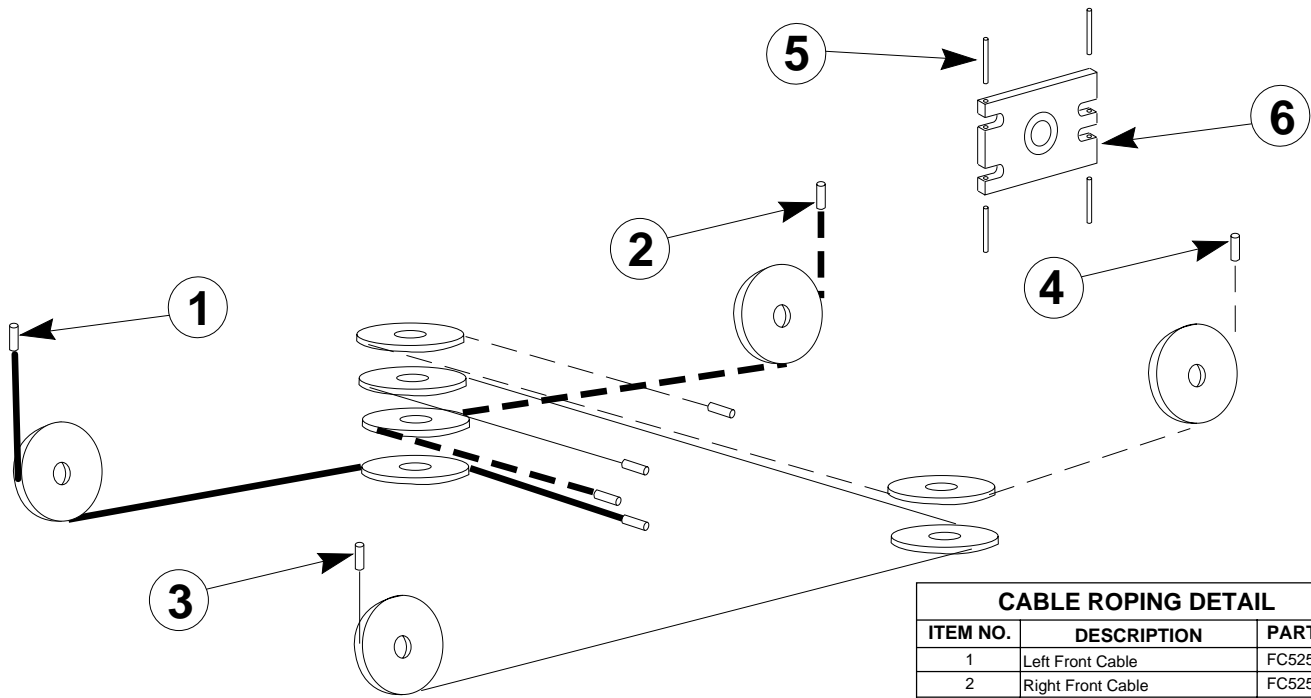


**NOTE: For Replacement Parts - See Your Nearest Rotary Distributor**

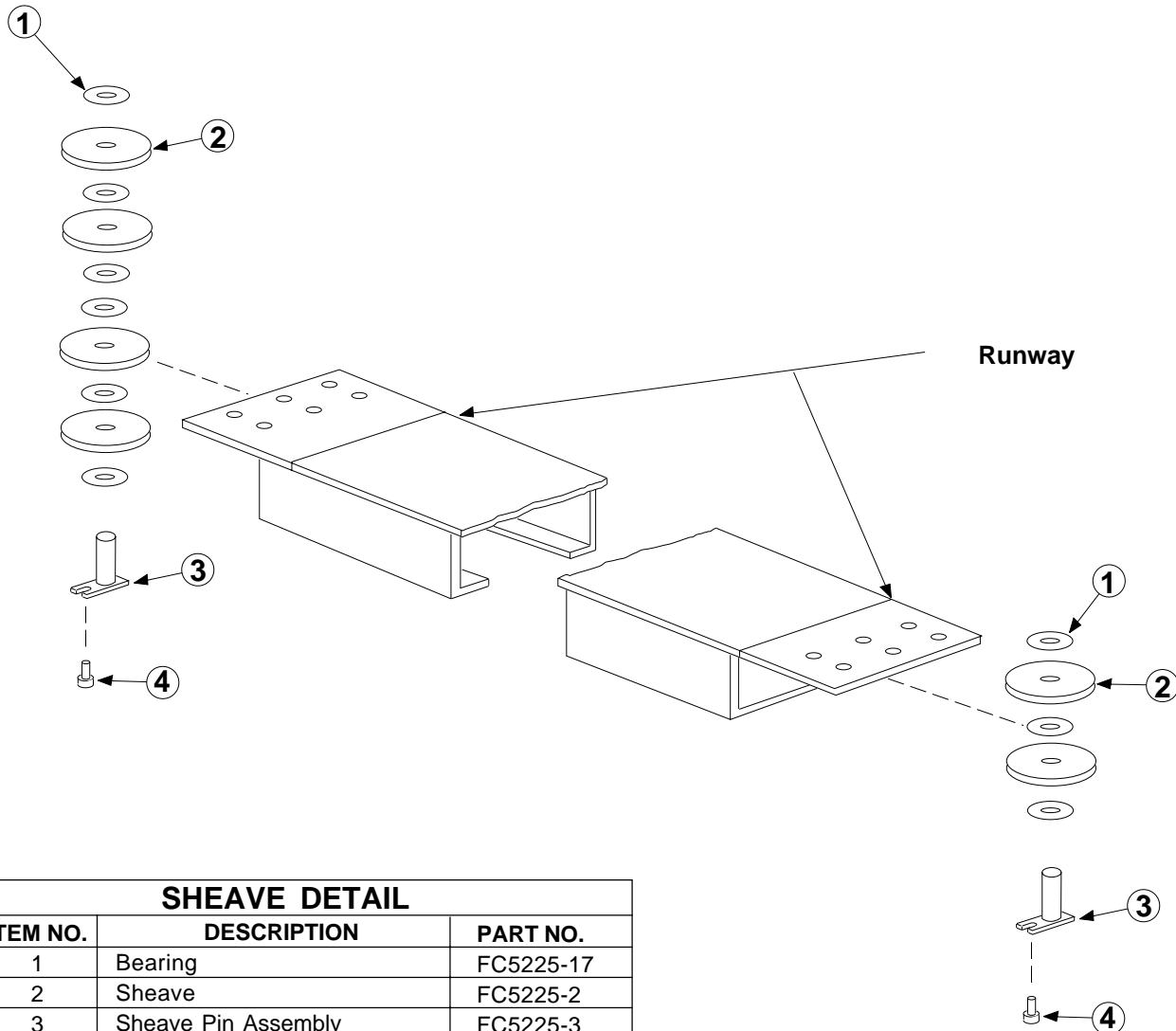


## RFL25 COMPONENTS

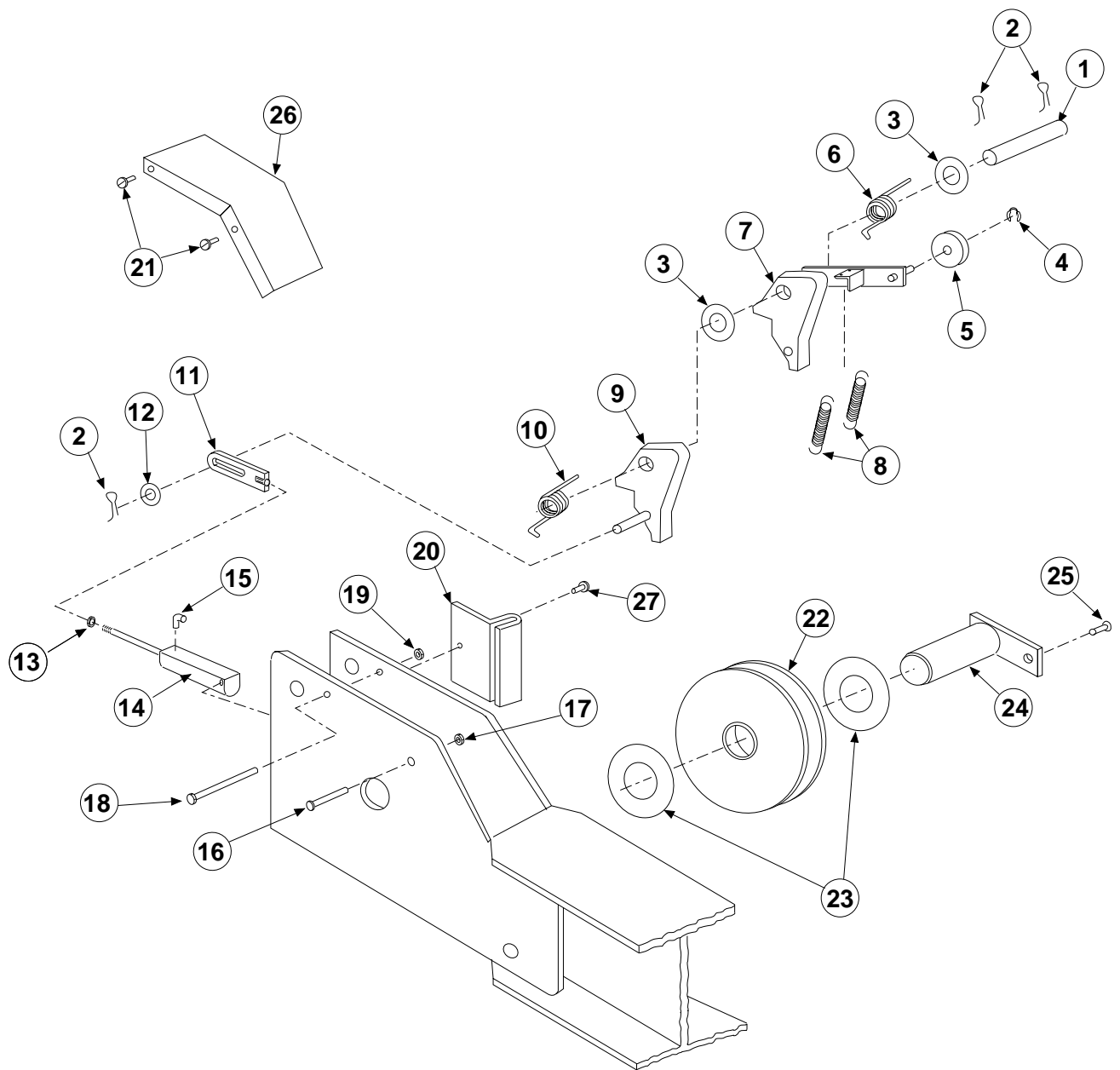
| ITEM | DESCRIPTION  | PART NO.     |      |
|------|--|--------------|------|
| 1    | Left Hand Runway Assembly (Includes, cylinder, cables and sheaves) | FC5254       |      |
| 2    | Right Hand Runway Assembly   | FC5254-9     |      |
| 3    | 5/8" -11NC x 2 1/2" Hex Cap Screw (High Strength)                  | 40344        |      |
|      | 5/8" -11NC McClean-Fogg Nut  | 40360        |      |
| 4    | Wheel Stop   | FC5225-42    |      |
| 5    | Hinge Assembly   | FC5225-49    |      |
| 6    | 5/8" Pushnut Fastener  | FC5179-4     |      |
| 7    | Hinge Pin  | FC5225-43    |      |
| 8    | 5/32" x 1" Cotter Pin  | 41202        |      |
| 9    | Ramp/Chock Assembly  | FC5254-12    |      |
| 10   | Ramp/Chock Weldment  | FC5254-14    |      |
| 11   | Plastic Slide  | FC134-33     |      |
| 12   | #10-24NC x 3/4" Lg. Machine Screw                                  | 40030        |      |
|      | #10-24NC Hex Nut   | 40630        |      |
| 13   | Front Yoke   | FC5896-1     |      |
| 14   | Front Yoke Assembly ( Includes latches)                            | FC5896       |      |
| 15   | Rear Yoke  | FC5897-1     |      |
| 16   | Rear Yoke Assembly (Includes latches)                              | FC5897       |      |
| 17   | 3/4"-10NC x 2" Lg. Flange Cap Screw (Grade 8 minimum)              | 40443        |      |
| 18   | Plastic Shim   | FJ716-6      |      |
| 19   | Hydraulic Cylinder   | FC5761       |      |
| 20   | Clevis Pin   | FC5225-23    |      |
| 21   | 3/16" x 3" Cotter Pin  | 41253        |      |
| 22   | Cable Pull Bar   | FC5225-18    |      |
| 23   | Glide  | FC5160-12    |      |
| 24   | 1 3/4" - 5NC Heavy Hex Nut   | 40777        |      |
| 25   | 1 3/4" - 5NC Heavy Hex Jam Nut                                     | 40778        |      |
| 26   | Right Hand Column  | FC5455       |      |
| 27   | Left Hand Column   | FC5454       |      |
| 28   | Power Unit Column  | FC5456       |      |
| 29   | Power Unit   | single phase | P828 |
|      |  | three phase  | P782 |
| 30   | Anchor Bolt  | FC5393-3     |      |
| 31   | 1 1/8"-7NC Hex Nut   | 40769        |      |
| 32   | 1 1/8"-7NC Hex Jam Nut   | 40770        |      |
| 33   | Rear Wheel Chock   | FC337        |      |
| 34   | Retainer Bar   | FC5225-72    |      |
| 35   | 1/4"-20NC x 2 1/2" Lg. HHCS and Lock Nut                           | 4 Req'd.     |      |



| CABLE ROPING DETAIL |                                   |           |
|---------------------|-----------------------------------|-----------|
| ITEM NO.            | DESCRIPTION                       | PART NO.  |
| 1                   | Left Front Cable                  | FC5254-3  |
| 2                   | Right Front Cable                 | FC5254-4  |
| 3                   | Left Rear Cable                   | FC5254-5  |
| 4                   | Right Rear Cable                  | FC5254-6  |
| 5                   | 3/8" x 3 1/4" Lg. Spirol Roll Pin | 14464     |
| 6                   | Cable Pull Bar                    | FC5225-18 |

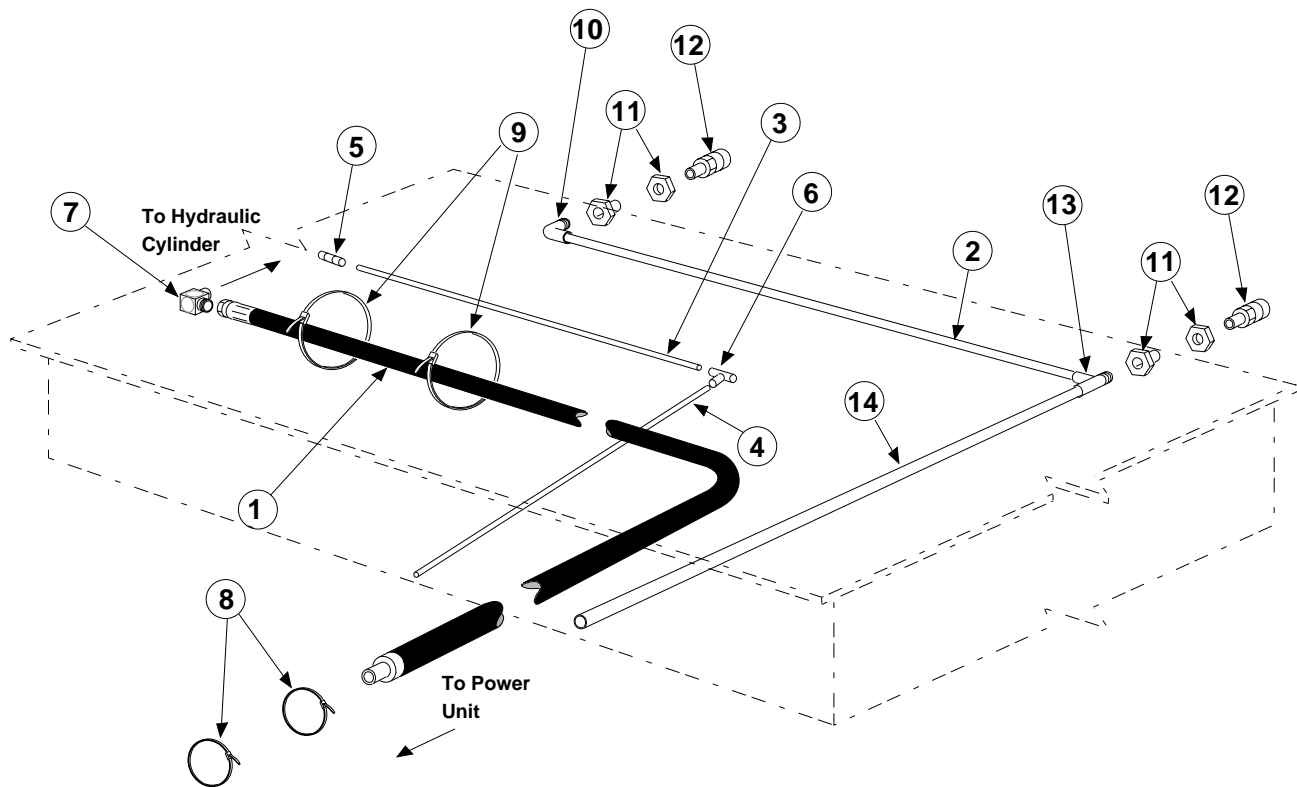


| SHEAVE DETAIL |                          |           |
|---------------|--------------------------|-----------|
| ITEM NO.      | DESCRIPTION              | PART NO.  |
| 1             | Bearing                  | FC5225-17 |
| 2             | Sheave                   | FC5225-2  |
| 3             | Sheave Pin Assembly      | FC5225-3  |
| 4             | 5/16"-18NC x 1/2" HSBHCS | 40225     |



### YOKE END DETAIL

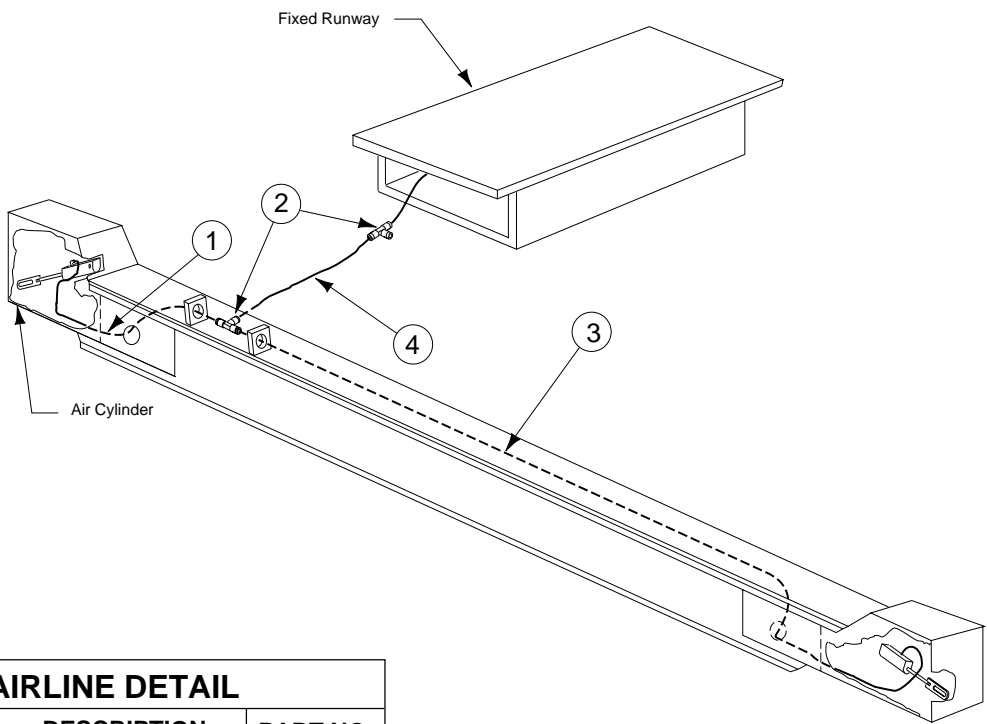
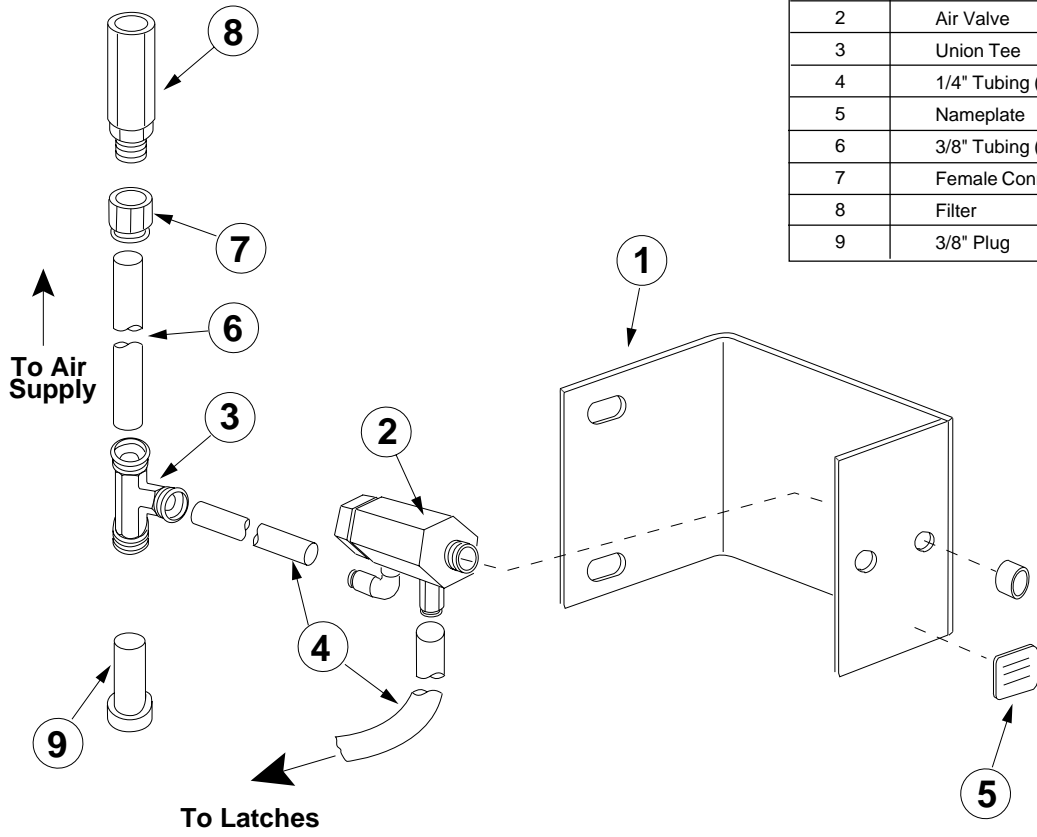
| ITEM | DESCRIPTION               | PART NO.                         | ITEM | DESCRIPTION                       | PART NO.  |
|------|---------------------------|----------------------------------|------|-----------------------------------|-----------|
| 1    | Latch Shaft               | FC5224-17                        | 14   | Air Cylinder                      | FC5706-6  |
| 2    | 1/8" x 1 1/4" Cotter Pin  | 41201                            | 15   | Elbow                             | FC5224-39 |
| 3    | Bearing                   | FC548-5                          | 16   | 1/4" - 20NC x 1 1/2" Lg. bolt     | 2 req'd.  |
| 4    | Klip Ring for 3/8" Shaft  | 41410                            | 17   | 1/4" - 20NC Nylon Insert Lock Nut | 2 req'd.  |
| 5    | Slack Cable Roller        | FC5224-65                        | 18   | 1/4" - 20NC Hex CS x 4 1/2" Lg.   | 40116     |
| 6    | Left Hand Torsion Spring  | FC5224-62                        | 19   | 1/4" - 20NC Hex Jam Nut           | 40640     |
| 7    | Slack Cable Locking Latch | L.H. FC5224-71<br>R.H. FC5224-70 | 20   | Plastic Slider                    | FC5301-97 |
| 8    | Extension Spring          | FC522-25                         | 21   | Pinetree Retainer                 | FC5185-69 |
| 9    | Locking Latch             | L.H. FC5763<br>R.H. FC5762       | 22   | Sheave                            | FC5225-2  |
| 10   | Right Hand Torsion Spring | FC5224-63                        | 23   | Bearing                           | FC548-5   |
| 11   | Slotted Bracket           | FC5224-35                        | 24   | Sheave Pin Assembly               | FC5224-21 |
| 12   | 3/8" Cut Washer           | 40820                            | 25   | 5/16"-18NC HSBHCS x 1/2" Lg.      | 40225     |
| 13   | 1/4" - 28NF Hex Jam Nut   | 40622                            | 26   | Yoke End Cover                    | FC5224-30 |
|      |                           |                                  | 27   | 1/4" - 20NC HHTS x 1/2" Lg.       | 40067     |



### TUBING DETAIL

| ITEM | DESCRIPTION      | PART NO.  | ITEM | DESCRIPTION      | PART NO.  |
|------|------------------|-----------|------|------------------|-----------|
| 1    | Hose             | FC619     | 8    | Wire Tie         | FJ7108-5  |
| 2    | Long Runway Tube | FC5254-2  | 9    | Cable Tie        | FC5225-26 |
| 3    | Main Tube        | FC5225-55 | 10   | Male Elbow       | FC147-7   |
| 4    | 1/4" Supply Tube | FC5225-56 | 11   | Connector        | FC147-1   |
| 5    | Union            | FC5225-98 | 12   | Coupler          | FC147-15  |
| 6    | Union Tee        | FC5225-46 | 13   | Male Run Tee     | FC147-3   |
| 7    | Elbow Adapter    | FJ7224    | 14   | 3/8" Supply Tube | FC147-4   |

| AIR LOCK RELEASE VALVE DETAIL |                        |           |
|-------------------------------|------------------------|-----------|
| ITEM NO.                      | DESCRIPTION            | PART NO.  |
| 1                             | Control Assy. Bracket  | FA2273-7  |
| 2                             | Air Valve              | FA2273-8  |
| 3                             | Union Tee              | FA2242-1  |
| 4                             | 1/4" Tubing (50' roll) | FA2230-2  |
| 5                             | Nameplate              | NP280     |
| 6                             | 3/8" Tubing (40' roll) | FA2230-15 |
| 7                             | Female Connector       | FA3134-13 |
| 8                             | Filter                 | FA3134-12 |
| 9                             | 3/8" Plug              | FA2230-16 |



| AIRLINE DETAIL |               |           |
|----------------|---------------|-----------|
| ITEM NO.       | DESCRIPTION   | PART NO.  |
| 1              | Short Airline | FC5224-42 |
| 2              | Union Tee     | FC5225-46 |
| 3              | Long Airline  | FC5224-41 |
| 4              | Union Tube    | FC5225-54 |



*World Leader in Lift Systems*

World Headquarters:  
**ROTARY LIFT**  
**A DOVER INDUSTRIES COMPANY**  
2700 Lanier Drive  
Madison, IN 47250 USA  
Phone toll-free: 1-800-445-5438  
1-(812) 273-1622  
FAX toll-free: 1-800-822-6502  
1-(812) 273-6502  
<http://www.rotary-lift.com>

For Canada:  
**DOVER CORP. CANADA, INC.**  
**ROTARY LIFT DIVISION**  
130 Bridgeland Avenue, Unit 210  
Toronto, Ontario  
Canada M6A 1Z4  
1-(416) 256-4100  
Fax: 1-(416) 256-3924

For United Kingdom &  
Republic of Ireland:  
**ROTARY LIFT (UK) LIMITED**  
Madison House  
2 Park Road  
Dartford, Kent DA1 1SL  
+ 44 (0) 1322 223323  
Fax: + 44 (0) 1322 222454